

FUSEHOLDERS

Board mount

UH

for 5 x 20 mm

Fuseholder open design Type UH

screw or rivet fastening

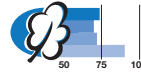


0031.5001

suitable covers
0853.9561, 0853.9562



0031.5010



- single unit or break-off strip of ten units
- solder-/quick-connect terminals 4,8 x 0,5 mm

Technical data

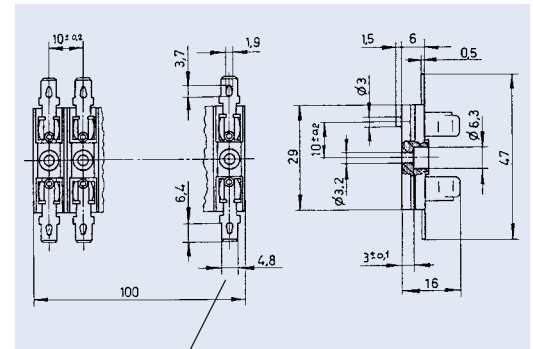
- Rated voltage: 250 V
- Rated current: 10 A
- Rated power acceptance at ambient air temperature T_a 23 °C: 3,2 resp. 2,5 W
- Power acceptance at higher T_a : see derating curves
- Take note of the information on pages 215–219
- Allowable ambient air temperatures T_a : -40 °C to +85 °C
- Dielectric strength: 4 kV, 50 Hz, 1 Min. between metal board and terminals
- Contact resistance: 5 mΩ
- Materials
socket: thermoset, UL 94V-0
clips: nickel-silver

Standards

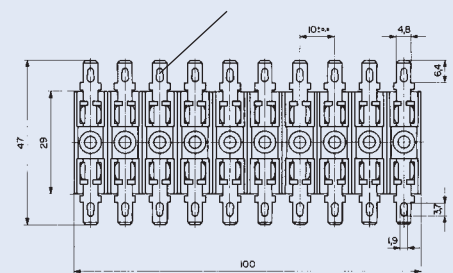
IEC 60127-6
EN 60127-6
UL 512, CSA C22.2-39

Approvals

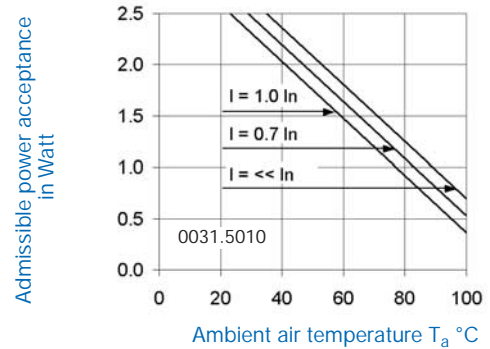
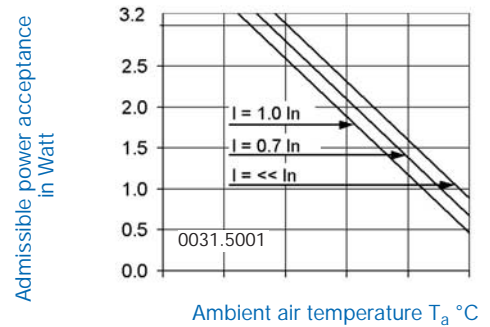
UL (10 A/250 V)
 CSA (10 A/250 V)



solder-/quick-connect terminals 4,8 x 0,5 mm, nickel silver, for conductor cross-sections up to 2,5 mm²



Derating curves



Order No.	
0031.5001	Fuseholder, single unit, black
0031.5010	Fuseholder, strip of ten units

Accessories: Covers 0853.9561 and 0853.9562, see page 183