

Rating:
2 to 20A, 125-250VAC, 50VDC

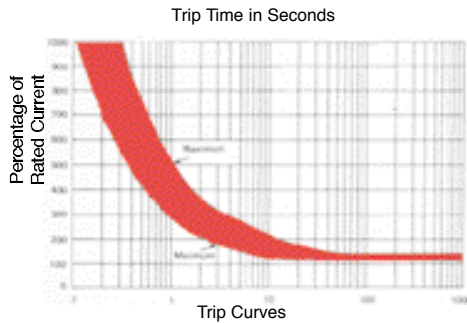
Approvals:
UL, CSA, VDE, CE

Interrupting capacity:
1000 amps

Insulation Resistance:
100M ohms

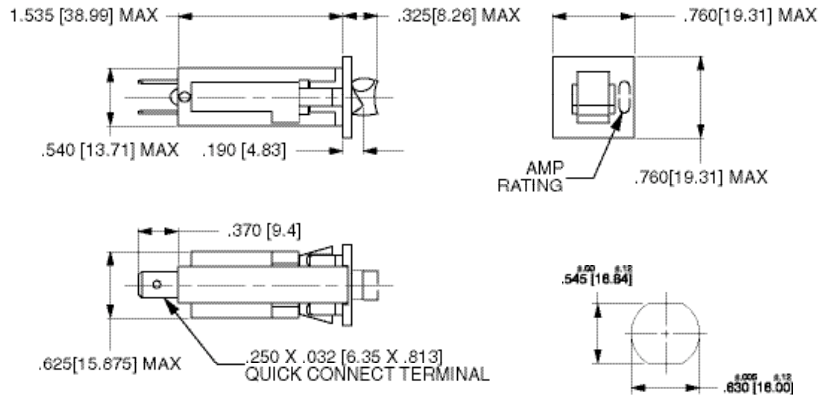
Applications:
Household Appliances
Transportation
Marine
Power Strips
Medical Equipment
Audio Visual Equipment
Power Supplies
Exercise Equipment

Time Delay Dimensional Specifications



CTB SERIES ONLY	
OVERLOAD	TRIP TIME
100%	NO TRIP
135%	TRIP IN 1 HR
200%	2.2 - 15 SEC.
300%	.9 - 3.4 SEC.
400%	.57 - 1.6 SEC.
500%	.38 - .94 SEC.
600%	.27 - .76 SEC.

CORRECTION FACTOR ¹	
0°C	x .850
10°C	x .900
15°C	x .925
18°C	x .952
25°C	x 1.00
32°C	x 1.05
40°C	x 1.15
50°C	x 1.39
60°C	x 1.49



RECOMMENDED PANEL THICKNESS:
.032 - .062 [.81-1.57]

DOUBLE D MOUNTING

1. To adjust the breaker rating for ambient temperature, multiply the breaker rating by the factor. ex.: 5A rating x .850 = 4.25A. Select 4A rating.

Ordering Scheme



1 SERIES CTB
2 BEZEL COLOR ¹ B Black
3 ROCKER COLOR ¹ B Black

4 RATING					
02	2 amp	07	7 amp	13	13 amp
03	3 amp	08	8 amp	14	14 amp
04	4 amp	09	9 amp	15	15 amp
05	5 amp	10	10 amp	16	16 amp
06	6 amp	12	12 amp	20	20 amp

5 PANEL THICKNESS	
blank	fits standard thickness of .032 - .062
B	fits .070 - .110 panel thickness

NOTES:
All dimensions are in inches [millimeters].
Tolerance ±.005 [.127] unless otherwise specified.
Breaker must hold 100% of rated current and must trip at 150% and above, within the time limits shown in curve. Trip times specified at 25° ambient with no preloading.

1 Additional colors available. Consult factory.