



STMPS2242, STMPS2252 STMPS2262, STMPS2272

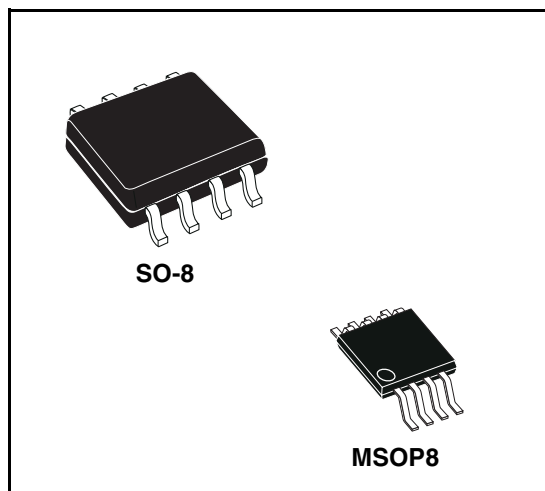
Enhanced dual channel power switches

Features

- 100 mΩ high-side MOSFET switch
- 500 mA/1000 mA continuous current per channel
- Thermal protection
- Independent short-circuit protection with overcurrent logic output
- Operating range from 2.7 V to 5.5 V
- CMOS and TTL compatible inputs
- 2.5 ms typical rise time
- Undervoltage lockout
- 13 μA maximum standby supply current
- Ambient temperature range: -40 °C to 85 °C
- 8 kV ESD protection
- Reverse current protection
- Fault blanking

Description

The STMPS2242/2252/2262/2272 power distribution switches are intended for applications where heavy capacitive loads and short circuits are likely to be encountered. These devices incorporate 100 mΩ MOSFET high-side power switches for power distribution systems that require multiple power switches in a single package.



Each switch is controlled by an independent logic enable input. When the output load exceeds the current limit threshold or a short is present, these devices limit the output current to a safe level by switching into a constant current mode, pulling the overcurrent (OCx) logic output low. When continuous heavy overloads and short circuits increase the power dissipation in the switch, causing the junction temperature to rise, a thermal protection circuit shuts off the switch to prevent damage. Recovery from a thermal shutdown is automatic once the device has cooled sufficiently. Internal circuitry ensures the switch remains off until valid input voltage is present.

Table 1. Device summary

Order code		Current limit (mA)	Enable	Packing
SO-8	MSOP8 ⁽¹⁾			
STMPS2242MTR	STMPS2242TTR	500	Active low	Tape and reel
STMPS2252MTR	STMPS2252TTR	500	Active high	Tape and reel
STMPS2262MTR	STMPS2262TTR	1000	Active low	Tape and reel
STMPS2272MTR	STMPS2272TTR	1000	Active high	Tape and reel

1. MSOP8 is also known as TSSOP8.

Contents

1	Block diagram	5
2	Pin settings	6
	2.1 Pin description	6
	2.2 Pin description	6
3	Functional description	7
	3.1 Fault blanking	7
	3.2 Overcurrent/over-temperature protection	7
	3.3 Reversed current blocking	7
	3.4 UVLO	7
4	Maximum rating	8
	4.1 Absolute maximum rating	8
	4.2 Recommended operating conditions	8
5	Electrical specification	9
6	Package mechanical data	12
7	Revision history	17

List of table

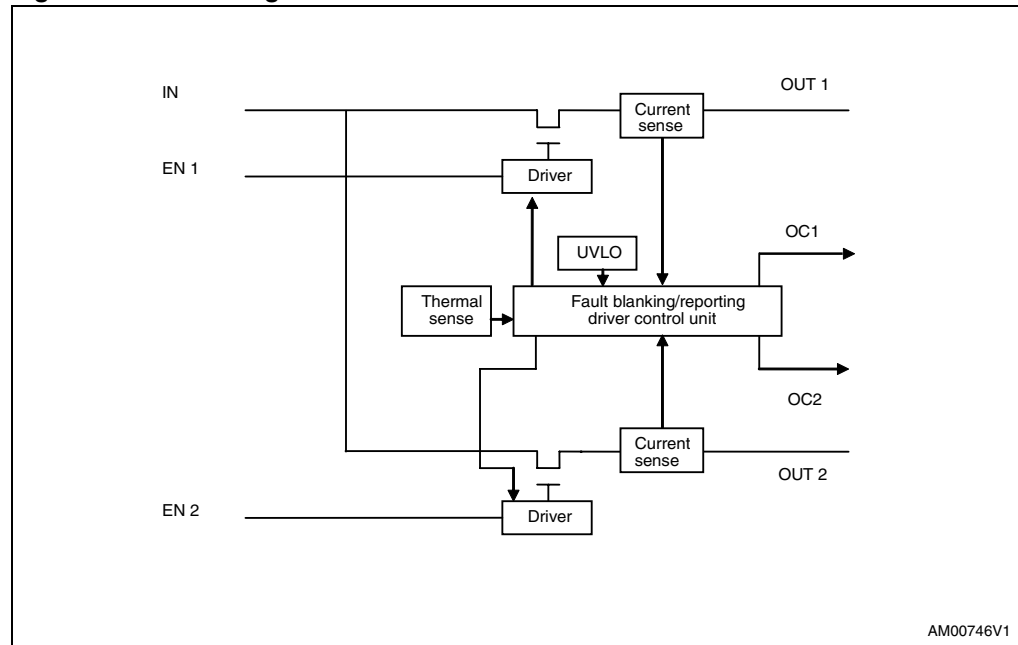
Table 1.	Device summary	1
Table 2.	Pin description	6
Table 3.	Absolute maximum ratings	8
Table 4.	Recommended operating conditions	8
Table 5.	Electrical characteristics	9
Table 6.	Current limit characteristics (VI = 5.5 V, IO = rated current, TJ = 25°C, unless otherwise specified)	9
Table 7.	Supply current characteristics (VI = 5.5 V, IO = rated current, TJ = 25°C, unless otherwise specified)	10
Table 8.	Thermal characteristics (VI = 5.5 V, IO = rated current, TJ = 25°C, unless otherwise specified)	10
Table 9.	UVLO characteristics (VI = 5.5 V, IO = rated current, TJ = 25°C, unless otherwise specified)	11
Table 10.	OCx pin characteristics (VI = 5.5 V, IO = rated current, TJ = 25°C, unless otherwise specified)	11
Table 11.	ENx pin characteristics (VI = 5.5 V, IO = rated current, TJ = 25°C, unless otherwise specified)	11
Table 12.	SO-8 mechanical data	13
Table 13.	MSOP8 mechanical data	14
Table 14.	Reel mechanical data	16
Table 15.	Document revision history	17

List of figures

Figure 1.	Block diagram	5
Figure 2.	Pin description	6
Figure 3.	SO-8 package outline	12
Figure 4.	MSOP8 package outline	14
Figure 5.	SO-8 carrier tape	15
Figure 6.	MSOP8 carrier tape	15
Figure 7.	Reel information	16

1 Block diagram

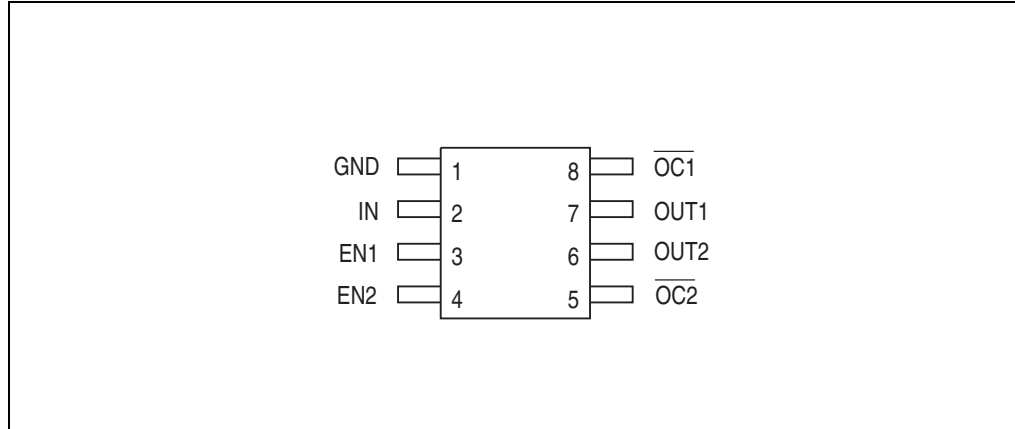
Figure 1. Block diagram



2 Pin settings

2.1 Pin description

Figure 2. Pin description



2.2 Pin description

Table 2. Pin description

Pin number	Name	Type	Function
1	GND	—	Ground
2	IN	—	V _{CC} input, 2.7 - 5.5 V
3	$\overline{EN1}/EN1$	I	Channel 1 active low (STMP2242 and STMP2262) or active high (STMP2252 and STMP2272) enable
4	$\overline{EN2}/EN2$	I	Channel 2 active low (STMP2242 and STMP2262) or active high (STMP2252 and STMP2272) enable
5	$\overline{OC2}$	O	Open drain output for fault indication of channel 2
6	OUT2	—	Output of channel 2
7	OUT1	—	Output of channel 1
8	$\overline{OC1}$	O	Open drain output for fault indication of channel 1

3 Functional description

3.1 Fault blanking

The STMP2 devices feature a 10 ms fault blanking. Fault blanking allows current-limit faults, including momentary short-circuit faults that occur when hot-swapping a capacitive load, and also ensures that no fault is issued during power-up. When a load transient causes the device to enter current limit, an internal counter starts. If the load fault persists beyond the 10 ms fault-blanking timeout, the FAULT output asserts "low". Load-transient faults less than 10 ms (typ.) do not cause a FAULT output assertion. Only current-limit faults are blanked. Die over-temperature faults and input voltage drops below the UVLO threshold cause an immediate fault output.

3.2 Overcurrent/over-temperature protection

In overcurrent or short-circuit condition, the switch limits the current at 500 mA for STMP2242/STMP2252 and 1000 mA for STMP2262/STMP2272. If temperature of die goes above limit value, the switch turns OFF.

3.3 Reversed current blocking

When the switch is OFF, or when the STMP2 device is un-powered ($V_{CC}=0$ V), the switch behaves as an Hi-Z at the output pin, ensuring that no reverse current will flow into the device when $V_i < V_o$.

Note: In the case where the switch is ON, and a voltage higher than V_i is applied to the OUT pin, a reverse current will occur.

3.4 UVLO

When input voltage drops below critical value, the power switch turns OFF to prevent improper operation due to low voltage.

4 Maximum rating

Stressing the device above the rating listed in the “Absolute Maximum Ratings” table may cause permanent damage to the device. These are stress ratings only and operation of the device at these or any other conditions above those indicated in the Operating sections of this specification is not implied. Exposure to Absolute Maximum Rating conditions for extended periods may affect device reliability.

4.1 Absolute maximum rating

Table 3. Absolute maximum ratings

Symbol	Parameter	Value	Unit
V_I	Input voltage range	-0.3 – 6.0	V
V_O	Output voltage range	-0.3 – ($V_I+0.3$)	V
V_{IENX}	EN Input voltage range	-0.3 – 6.0	V
I_O	Continuous output current	Internally limited	
ESD	ESD protection level	8	kV
T_J	Junction operating temperature	-40 to 125	°C
T_{STG}	Storage temperature	-55 to 150	°C
T_R	Thermal resistance (MSOP8)	220	°C/W
T_R	Thermal resistance (SO-8)	160	°C/W

4.2 Recommended operating conditions

Table 4. Recommended operating conditions

Symbol	Parameter	Value			Unit
		Min	Typ	Max	
V_I	Input voltage	2.7	5.0	5.5	V
V_O	Output voltage	0	5.0	5.5	V
I_O (STMPS2242 STMPS2252)	Continuous output current	0	-	500	mA
I_O (STMPS2262 STMPS2272)	Continuous output current	0	-	1000	mA

5 Electrical specification

Table 5. Electrical characteristics

Symbol	Parameter	Test conditions	Value			Unit
			Min	Typ	Max	
R _{ds on}	Static drain source ON state resistance	V _I = 2.7 V T _J = 25°C		120	160	mΩ
		V _I = 5.0 V T _J = 25°C;		105	115	mΩ
R _{ds on}	Static drain source ON state resistance	V _I = 2.7 V -40 < T _J < 125°C			200	mΩ
		V _I = 5.0 V -40 < T _J < 125°C			140	
T _r	Output rise time (STMP2242, STMP2252)	V _I = 5.0 V R _L = 10 Ω C _L = 1 μF	0.05		2	ms
	Output rise time (STMP2262, STMP2272)	V _I = 5.0 V R _L = 10 Ω C _L = 1 μF	0.05		2	ms
T _f	Output fall time (STMP2242, STMP2252)	V _I = 5.0 V R _L = 10 Ω C _L = 1 μF	0.05		2	ms
	Output fall time (STMP2262, STMP2272)	V _I = 5.0 V R _L = 10 Ω C _L = 1 μF	0.05		2	ms

Table 6. Current limit characteristics
(V_I = 5.5 V, I_O = rated current, T_J = 25°C, unless otherwise specified)

Symbol	Parameter	Test condition	Value			Unit
			Min	Typ	Max	
I _{os} (STMP2242 STMP2252)	Short circuit output current	V _I = 5 V OUT connected to GND through 10 mΩ load, device enabled into short circuit	0.6	0.8	1.0	A
I _{os} (STMP2262 STMP2272)			1.1	1.6	2.0	A

Table 7. Supply current characteristics(V_I = 5.5 V, I_O = rated current, T_J = 25°C, unless otherwise specified)

Symbol	Parameter	Test condition	Value			Unit
			Min	Typ	Max	
I _{off}	Switch turned off	No load Switch is off		9	14	μA
		No load Switch is off -40 < T _J < 125°C			16	
I _{on}	Switch turned on	No load Switch is on		50	70	μA
		No load Switch is on -40 < T _J < 125°C			85	
I _{leakage}	Output leakage current ⁽¹⁾	I _{OFF} (grounded output) - I _{OFF} (floating output)		1	2	μA
		I _{OFF} (grounded output) - I _{OFF} (floating output) -40 < T _J < 125°C		1	6	
I _{reverse}	Reversed leakage current	Switch is off V _i < V _o , Output connected to 5.5 V, 25°C		1	2	μA
		Switch is off V _i < V _o Output connected to 5.5 V, 125°C		1	10	

1. I_{leakage} = I_{off-ground} - I_{off}, where I_{off-ground} = current into Vin when switch is off and output is grounded**Table 8. Thermal characteristics**(V_I = 5.5 V, I_O = rated current, T_J = 25°C, unless otherwise specified)

Symbol	Parameter	Test condition	Value			Unit
			Min	Typ	Max	
T1	Thermal shutdown threshold		135			°C
T2	Recovery from thermal shutdown		125			°C
Hysteresis				10		°C

Table 9. UVLO characteristics $(V_I = 5.5 \text{ V}, I_O = \text{rated current}, T_J = 25^\circ\text{C}, \text{ unless otherwise specified})$

Symbol	Parameter	Test condition	Value			Unit
			Min	Typ	Max	
V_{UVLO}	Undervoltage lockout threshold		2.0		2.5	V
Hysteresis				75		mV

Table 10. OCx pin characteristics $(V_I = 5.5 \text{ V}, I_O = \text{rated current}, T_J = 25^\circ\text{C}, \text{ unless otherwise specified})$

Symbol	Parameter	Test condition	Value			Unit
			Min	Typ	Max	
OC blanking	OCx assertion and de-assertion		4	8	15	ms
V_O	Output low voltage	$I_O = 5 \text{ mA}$	–	–	0.4	V
I_{OFF}	Off current	$V_{OC} = 2.7 \text{ V}, 5.5 \text{ V}$ (No OC condition)	–	–	1.0	?A

Table 11. ENx pin characteristics $(V_I = 5.5 \text{ V}, I_O = \text{rated current}, T_J = 25^\circ\text{C}, \text{ unless otherwise specified})$

Symbol	Parameter	Test condition	Value			Unit
			Min	Typ	Max	
V_{IH}	High level input voltage	$V_I = 2.7 \text{ V to } 5.5 \text{ V}$	2.0	–	–	V
V_{IL}	Low level input voltage	$V_I = 4.5 \text{ V to } 5.5 \text{ V}$	–	–	0.8	V
		$V_I = 2.7 \text{ V to } 4.5 \text{ V}$	–	–	0.4	V
I_I	Input current	$V_{IENX} = 0 \text{ V or } V_I$	-0.5	–	0.5	?A
t_{ON}	Turn ON time ⁽¹⁾	$R_L = 10 \Omega$ $C_L = 100 \mu\text{F}$	–	–	5	ms
t_{OFF}	Turn OFF time ⁽¹⁾	$R_L = 10 \Omega$ $C_L = 100 \mu\text{F}$	–	–	10	ms

1. Not tested in production, specified by design.

6 Package mechanical data

In order to meet environmental requirements, ST offers these devices in different grades of ECOPACK® packages, depending on their level of environmental compliance. ECOPACK® specifications, grade definitions and product status are available at: www.st.com. ECOPACK® is an ST trademark.

Figure 3. SO-8 package outline

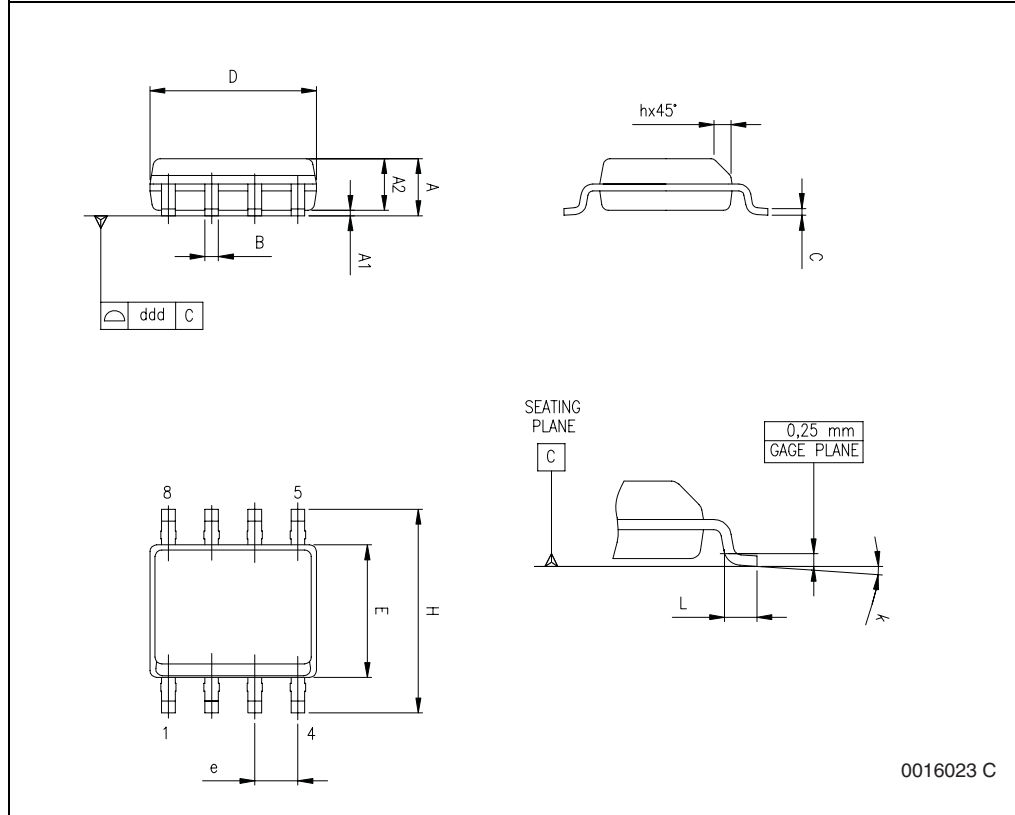


Table 12. SO-8 mechanical data

Symbol	Millimeters		
	Min	Typ	Max
A	1.35	–	1.75
A1	0.10	–	0.25
A2	1.10	–	1.65
B	0.33	–	0.51
C	0.19	–	0.25
D ⁽¹⁾	4.80	–	5.00
E	3.80	–	4.00
e	–	1.27	–
H	5.80	–	6.20
h	0.25	–	0.50
L	0.40	–	1.27
k	0° (min.), 8° (max.)		
ddd	–	–	0.10

1. Dimension D does not include mold flash, protrusions or gate burrs. Mold flash, protrusions or gate burrs shall not exceed 0.15mm (.006inch) in total (both sides).

Figure 4. MSOP8 package outline

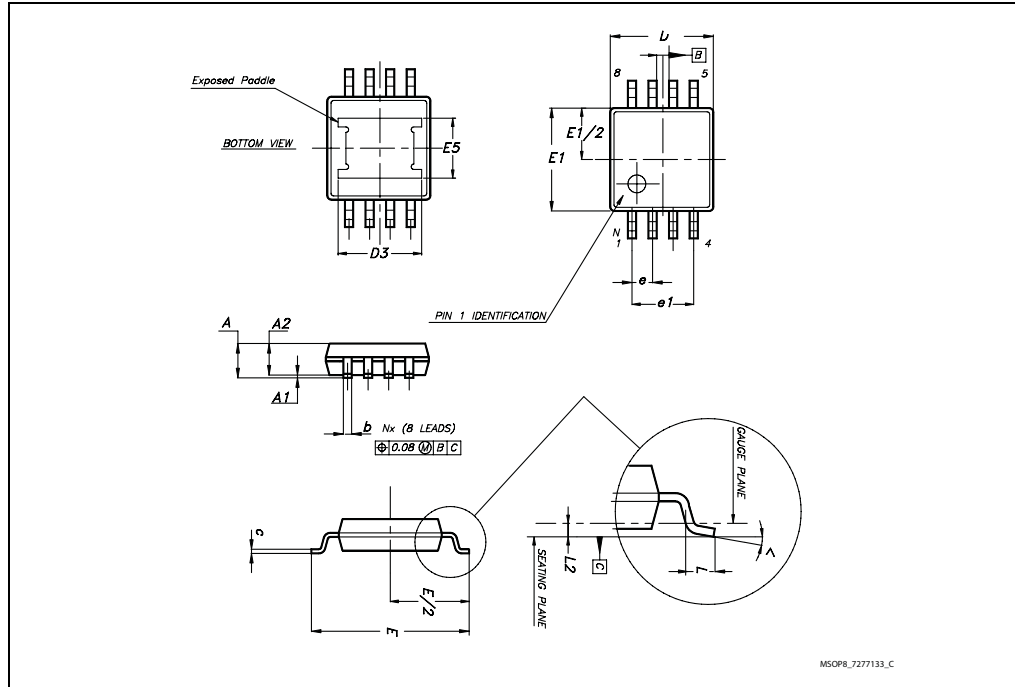


Table 13. MSOP8 mechanical data

Symbol	Millimeters		
	Min	Typ	Max
A	—	—	1.10
A1	0	—	0.15
A2	0.75	0.85	0.95
b	0.22	—	0.40
c	0.08	—	0.23
D	2.90	3.00	3.10
D3	—	2.16	—
E	4.67	4.90	5.07
E1	2.90	3.00	3.10
E5	—	1.73	—
e	—	0.65	—
e1	—	1.95	—
L	0.40	—	0.80
L2	—	0.25	—
α	0°	—	6°

Figure 5. SO-8 carrier tape

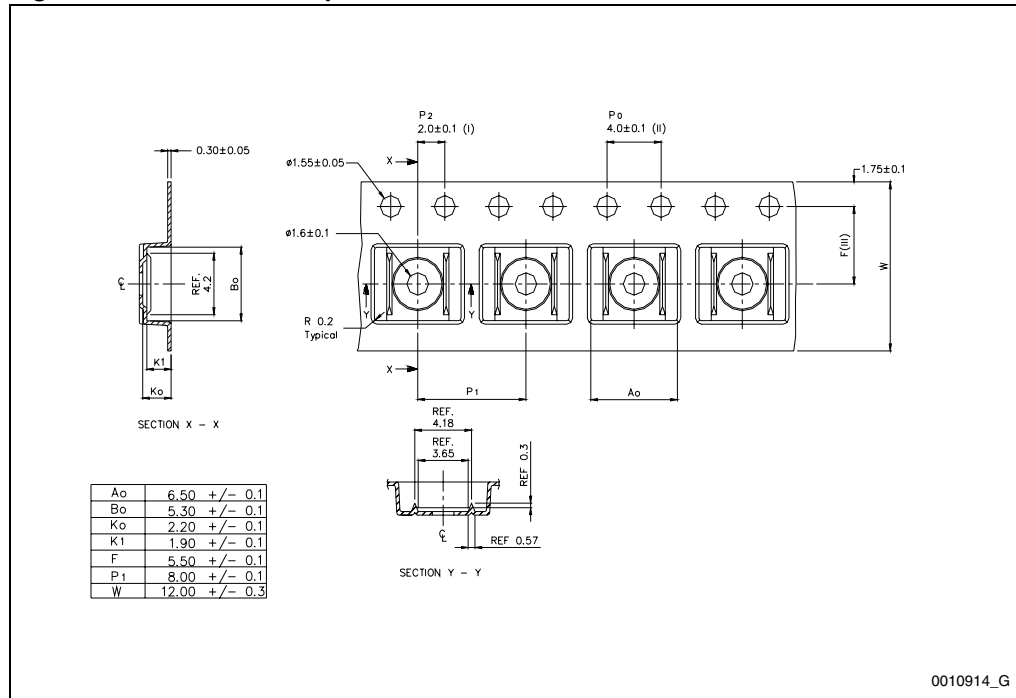


Figure 6. MSOP8 carrier tape

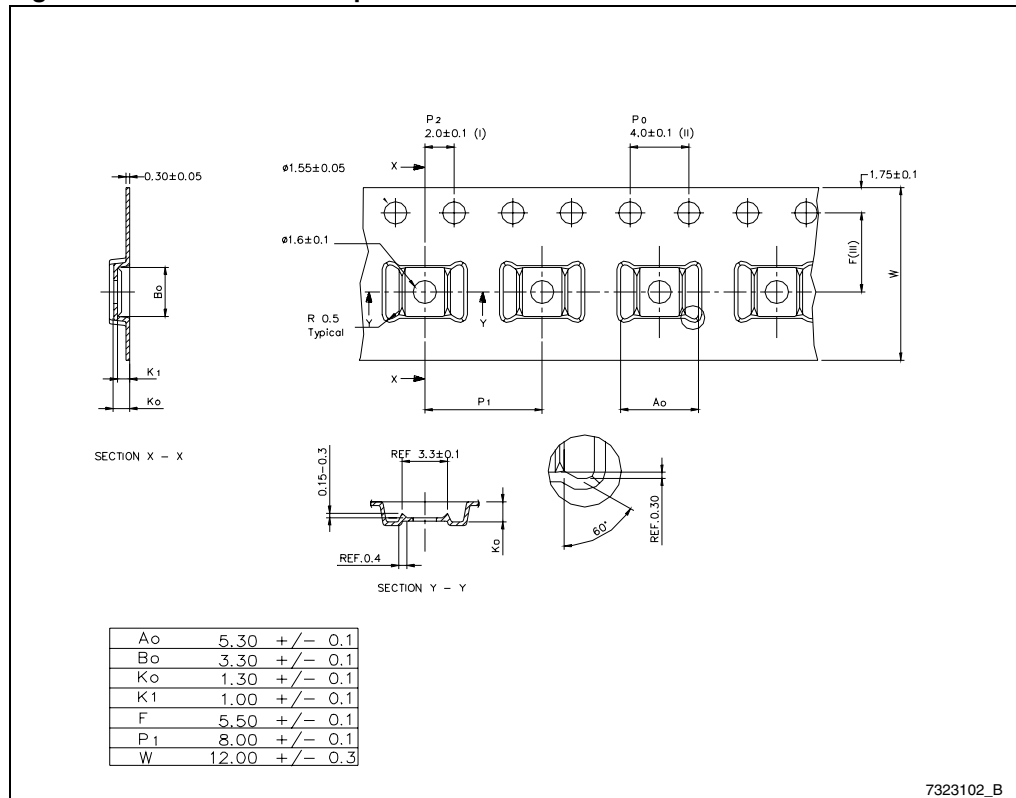


Figure 7. Reel information

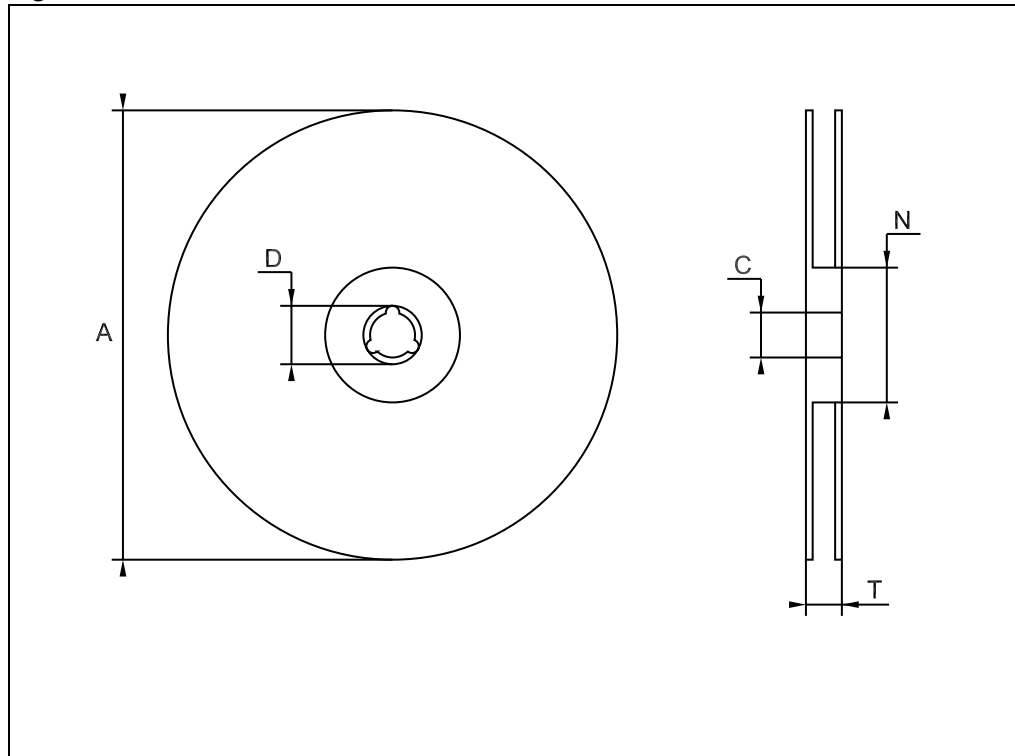


Table 14. Reel mechanical data

Symbol	Millimeters		
	Min	Typ	Max
A			330
C	12.8		13.2
D	20.2		
N	60		
T			22.4

7 Revision history

Table 15. Document revision history

Date	Revision	Changes
03-Dec-2008	1	Initial release.
18-Dec-2009	2	Modified: Table 6 , Table 7 and Table 9 .

Please Read Carefully:

Information in this document is provided solely in connection with ST products. STMicroelectronics NV and its subsidiaries ("ST") reserve the right to make changes, corrections, modifications or improvements, to this document, and the products and services described herein at any time, without notice.

All ST products are sold pursuant to ST's terms and conditions of sale.

Purchasers are solely responsible for the choice, selection and use of the ST products and services described herein, and ST assumes no liability whatsoever relating to the choice, selection or use of the ST products and services described herein.

No license, express or implied, by estoppel or otherwise, to any intellectual property rights is granted under this document. If any part of this document refers to any third party products or services it shall not be deemed a license grant by ST for the use of such third party products or services, or any intellectual property contained therein or considered as a warranty covering the use in any manner whatsoever of such third party products or services or any intellectual property contained therein.

UNLESS OTHERWISE SET FORTH IN ST'S TERMS AND CONDITIONS OF SALE ST DISCLAIMS ANY EXPRESS OR IMPLIED WARRANTY WITH RESPECT TO THE USE AND/OR SALE OF ST PRODUCTS INCLUDING WITHOUT LIMITATION IMPLIED WARRANTIES OF MERCHANTABILITY, FITNESS FOR A PARTICULAR PURPOSE (AND THEIR EQUIVALENTS UNDER THE LAWS OF ANY JURISDICTION), OR INFRINGEMENT OF ANY PATENT, COPYRIGHT OR OTHER INTELLECTUAL PROPERTY RIGHT.

UNLESS EXPRESSLY APPROVED IN WRITING BY AN AUTHORIZED ST REPRESENTATIVE, ST PRODUCTS ARE NOT RECOMMENDED, AUTHORIZED OR WARRANTED FOR USE IN MILITARY, AIR CRAFT, SPACE, LIFE SAVING, OR LIFE SUSTAINING APPLICATIONS, NOR IN PRODUCTS OR SYSTEMS WHERE FAILURE OR MALFUNCTION MAY RESULT IN PERSONAL INJURY, DEATH, OR SEVERE PROPERTY OR ENVIRONMENTAL DAMAGE. ST PRODUCTS WHICH ARE NOT SPECIFIED AS "AUTOMOTIVE GRADE" MAY ONLY BE USED IN AUTOMOTIVE APPLICATIONS AT USER'S OWN RISK.

Resale of ST products with provisions different from the statements and/or technical features set forth in this document shall immediately void any warranty granted by ST for the ST product or service described herein and shall not create or extend in any manner whatsoever, any liability of ST.

ST and the ST logo are trademarks or registered trademarks of ST in various countries.

Information in this document supersedes and replaces all information previously supplied.

The ST logo is a registered trademark of STMicroelectronics. All other names are the property of their respective owners.

© 2009 STMicroelectronics - All rights reserved

STMicroelectronics group of companies

Australia - Belgium - Brazil - Canada - China - Czech Republic - Finland - France - Germany - Hong Kong - India - Israel - Italy - Japan - Malaysia - Malta - Morocco - Philippines - Singapore - Spain - Sweden - Switzerland - United Kingdom - United States of America

www.st.com