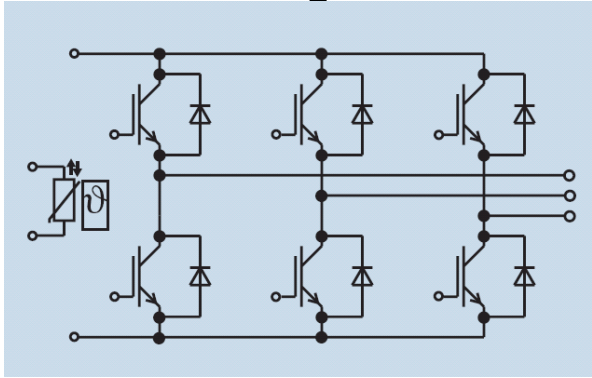


Controlled 3-Phase Bridge Rectifier - Eupec



Type	V_{CES} V	I_C A	V_{CEsat} V $T_{vj}=25^\circ\text{C}$ typ.	P_{tot} W	R_{thJC} K/W \leq per arm	Outline / page
BSM50GD120DN2	1200	50	2,5	350	0,35	IS3/66