

4

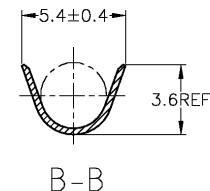
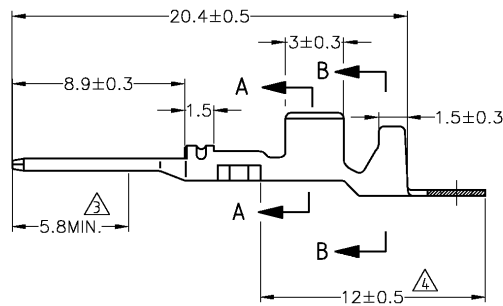
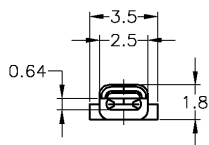
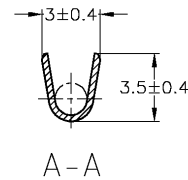
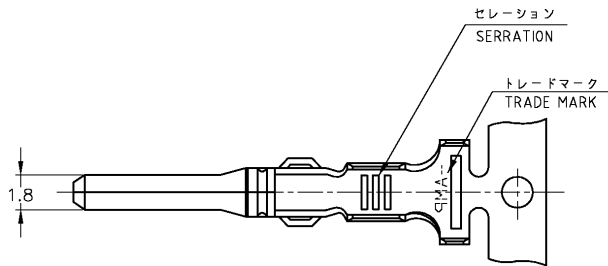
3

2

1

THIS DRAWING IS UNPUBLISHED. RELEASED FOR PUBLICATION
 © COPYRIGHT BY TYCO ELECTRONICS CORPORATION. ALL RIGHTS RESERVED.

LOC	DIST	REVISIONS			
P	LTR	DESCRIPTION	DATE	DWN	APVD
E1		REVISED	FJAO-0513-03	04SEP03	TS KB



- 1. 嵌合相手端子型番: 171662
- 2. パラ状端子型番: 173706

- 1. RECEPTACLE CONTACT PN: 171662
- 2. L/P CONTACT PN: 173706

FINISH	MATERIAL	ITEM No.
SELECTIVE GOLD 部分金めっき	BRASS 14.32 黄銅 板厚0.32	171661-5
SELECTIVE TIN 部分錫めっき	BRASS 14.32 黄銅 板厚0.32	171661-2
PRE-TIN (0.76μm MIN) 薄めっき	BRASS 14.32 黄銅 板厚0.32	171661-1

WIRE RANGE 0.5-1.25mm² (AWG #28-#16)
 INSULATION DIA 2-2.6

THIS DRAWING IS A CONTROLLED DOCUMENT.

DIMENSIONS: 単位: 寸	TOLERANCES UNLESS OTHERWISE SPECIFIED: 一般公差	DWN T. SHINOHARA 27JUN01	27JUN01
0 PLC ±	1 PLC ±	2 PLC ±	3 PLC ±
4 PLC ±	ANGLES ±	T.YACO Electronics Tyco Electronics AMP K.K. Kawasaki, Japan	
MATERIAL SEE TABLE 表参照	FINISH 仕上	NAME 名称 ECONOSEAL J-MARKII CONNECTOR TAB CONTACT	
(GENERAL TOLERANCE) 一般公差 寸法: ±0.2 寸法: ±0.25 寸法: ±0.3 寸法: ±0.5		PRODUCT SPEC 製品規格 APPLICATION SPEC 取付適用規格 114-5082	SIZE A3 CAGE CODE 00779 DRAWING NO. 171661
WEIGHT 0.35 g		RESTRICTED TO	SCALE 5:1 SHEET 1 OF 1 REV E1