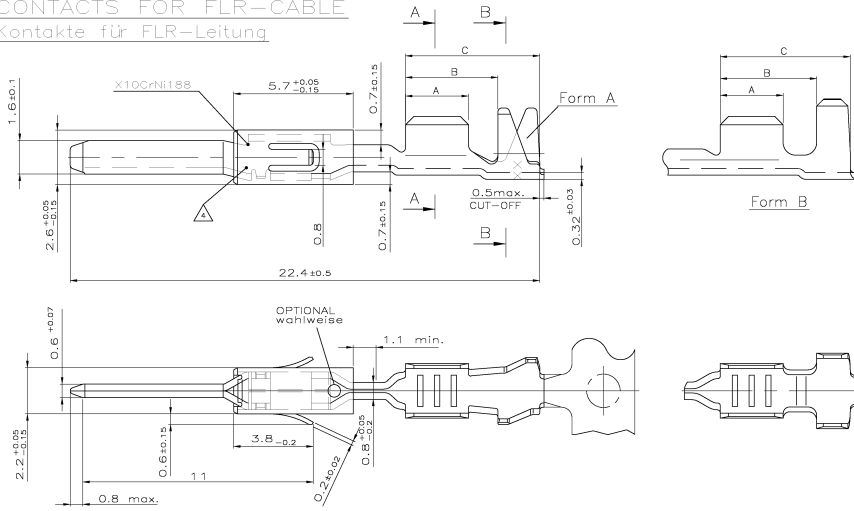


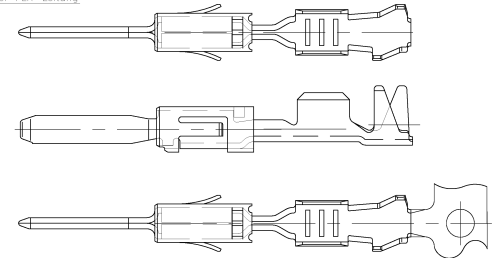
CONTACTS FOR FLR-CABLE
Kontakte für FLR-Leitung



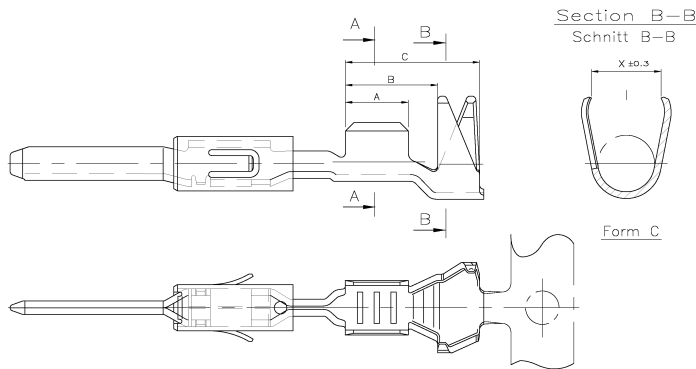
REVISONS		DATE	BY
01	01		
02	01		
03	01		
04	01		
05	01		
06	01		
07	01		
08	01		
09	01		
10	01		
11	01		
12	01		
13	01		
14	01		
15	01		
16	01		
17	01		
18	01		
19	01		
20	01		

DIFFERENT TOOL DETAILS
Verschiedene Werkzeugausführungen
FUNCTION AND HANDLING WITH
ALL DETAILS CONTINUOUSLY
Funktion und Handhabung
bei allen Ausführungen gleich
SUPPLY AFTER AVAILABILITY
Lieferung nach Verfügbarkeit

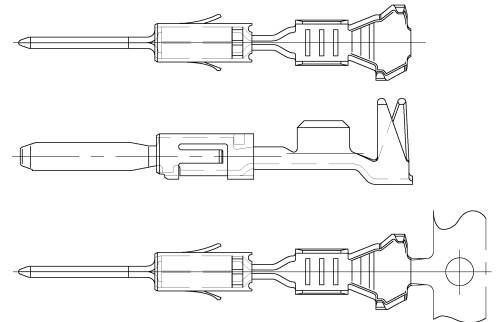
CONTACTS FOR FLR-CABLE
Kontakte fuer FLR-Leitung



CONTACTS FOR SINGLE WIRE SEALING SYSTEM: FLR- AND FLK-CABLE
Kontakte fuer Einzeldichtung-System: FLR- und FLK-Leitung
DIMENSIONS SEE FIGURE CONTACTS FOR FLR- AND FLK-CABLE
Masse siehe Darstellung der Kontakte fuer FLR-Leitung



CONTACTS FOR SEALING SYSTEM: FLR- AND FLK-CABLE
Kontakte fuer Einzeldichtungs-System: FLR- und FLK-Leitung



THIS DRAWING IS A CONTROLLED DOCUMENT		DATE		TYP Electronics	
01	01				
02	01				
03	01				
04	01				
05	01				
06	01				
07	01				
08	01				
09	01				
10	01				
11	01				
12	01				
13	01				
14	01				
15	01				
16	01				
17	01				
18	01				
19	01				
20	01				

Order No. / Bestell-Nr.	Rev.	Order No. / Bestell-Nr.	Wire Range / Drahtgrößenbereich (mm²)	Insulation Ø / Isolationsø (mm)	Material / Werkstoff	Surface / Oberfläche	Length / Laenge	Wire crimp / Drahtcrimp	nsul.crimp / Iso'crimp	Wire crimp / Drahtcrimp	nsul.crimp / Iso'crimp	Order No. / Bestell-Nr.	Order No. / Bestell-Nr.	Crimp data / Crimp tool and Crimp tool / Crimpdaten u. Crimpwerkzeuge	
1703278-5	A	1703279-5	1.5	2.2-2.4	CuSn 4	tin plated / verzinkt	A = 3.0 B = 4.4 C = 6.4 X = 3.6	E = 2.8 G = 3.0 D _{br} = 1.4	H = 4.6 K = 4.9 D _{iso} = 2.9	E = - G = - D _{br} = -	H = - K = - D _{iso} = -				
1703278-2	A	1703279-2			CuFe 2	tin plated / verzinkt			Form C						
964269-5	A	964270-5	0.5-1.0	1.4-2.1	CuSn 4	tin plated / verzinkt	A = 3.0 B = 4.4 C = 6.4 X = 3.3	E = 2.5 G = 2.7 D _{br} = 1.2	H = 4.3 K = 4.8 D _{iso} = 2.7	E = 2.2 G = 2.8 D _{br} = 1.2	H = 3.8 K = 4.5 D _{iso} = 2.3				
964269-3	D	964270-3			CuSn 4	tin plated / verzinkt			Form C						
964269-2	D	964270-2			CuFe 2	tin plated / verzinkt			Form C						
969028-5	A	969029-5	0.2-0.5	1.2-1.6	CuSn 4	tin plated / verzinkt	A = 2.5 B = 4.4 C = 6.4 X = 3.3	E = 2.1 G = 2.1 D _{br} = 0.8	H = 4.3 K = 4.8 D _{iso} = 2.6	E = 1.7 G = 2.15 D _{br} = 0.8	H = 3.6 K = 4.4 D _{iso} = 2.1				
969028-3	D	969029-3			CuSn 4	tin plated / verzinkt			Form C						
969028-2	D	969029-2			CuFe 2	tin plated / verzinkt			Form C						
1241846-3	A	1241847-3	1.5	2.2-2.4	CuSn 4	tin plated / verzinkt	A = 3.0 B = 4.4 C = 6.4	E = 2.8 G = 3.0 D _{br} = 1.4	H = 3.5 K = 3.9 D _{iso} = 1.9	E = 2.2 G = 3.0 D _{br} = 1.4	H = 2.8 K = 3.9 D _{iso} = 1.6				
1241846-2	A	1241847-2			CuSn 4	tin plated / verzinkt			Form A						
1241846-1	A	1241847-1			CuSn 2	tin plated / verzinkt			Form A						
			0.5-1.0	1.4-2.1			A = 3.0 B = 4.6 C = 6.2	E = 2.5 G = 2.8 D _{br} = 1.2	H = 3.7 K = 3.9 D _{iso} = 1.8	E = 2.2 G = 2.8 D _{br} = 1.2	H = 2.8 K = 3.9 D _{iso} = 1.6				
					CuFe 2	tin plated / verzinkt			Form B						
969079-2	B	969080-2			CuSn 4	tin plated / verzinkt	A = 3.0 B = 4.4 C = 6.4	E = 2.5 G = 2.7 D _{br} = 1.2	H = 3.2 K = 3.4 D _{iso} = 1.8	E = 2.2 G = 2.2 D _{br} = 1.2	H = 2.8 K = 3.0 D _{iso} = 1.6				
964267-3	C	964268-3	0.5-1.0	1.4-2.1	CuFe 2	tin plated / verzinkt			Form A						
964267-2	C	964268-2			CuSn 4	tin plated / verzinkt			Form A						
964267-1	C	964268-1			CuSn 4	tin plated / verzinkt			Form A						
			0.2-0.35	1.15-1.6			A = 2.5 B = 4.4 C = 6.4	E = 2.1 G = 2.1 D _{br} = 0.8	H = 2.9 K = 2.9 D _{iso} = 1.4	E = 1.7 G = 2.1 D _{br} = 0.8	H = 2.5 K = 2.55 D _{iso} = 1.4				
964265-3	C	964266-3			CuSn 4	tin plated / verzinkt			Form A						
964265-2	C	964266-2			CuFe 2	tin plated / verzinkt			Form A						

Single wire sealing system EDS

see Applicationspezifikation
siehe Verarbeitungsspezifikation

726 534-1
539 960-1

Hand tool / Handzange
539650-1
539655-1

Hand tool / Handzange
539612-1
539663-2

Notes
Bemerkungen

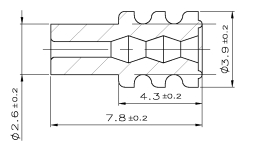
1 Contact area selectiv gold over nickel 0.8 µm min. ueber Ni
Kontaktzone selectiv vergoldet 0.8 µm min. ueber Ni
Wire crimp area electro tin plated 1 µm min. over nickel
Drahtcrimpbereich gal. verzinkt 1 µm min. ueber Ni

2 For double- and single termination
Fuer Doppel- und Einzelschlaege

3 According insulation Ø is to choose the single wire seal
Entsprechend dem Isolationsdurchmesser ist die Einzel-Dichtung auszuwaehlen

4 Spring design optional see sheet 1
Ausfuehrung der Ueberfeder wahlweise siehe Blatt 1

5 Contact area selectiv silver over nickel 3 µm min.
Kontaktzone selectiv versilbert 3 µm min. ueber Ni
Wire crimp area electro tin plated 1,5 µm min. over nickel
Drahtcrimpbereich gal. verzinkt 1,5 µm min. ueber Ni



Order No. / Bestell-Nr.	Insulation Ø / Isolationsø	Colour / Farbe
2112323-1	1.9-2.4	orange
964972-1	1.9-2.1	yellow
963530-1	1.4-1.9	grey
964971-1	1.2-1.6	red

THIS DRAWING IS A CONTROLLED DOCUMENT
 DIESE ZEICHNUNG IST EIN KONTROLLIERTES DOKUMENT

DATE: 14-10-82
 DRAWN BY: A1
 CHECKED BY: A1

PRODUCT GROUP DRAWING FOR
 Typ: 1.6 x 0.6 mm TYP A
 Flachstecker 1.6 x 0.6 mm TYP A

ORDER NO. / BESTELL-NR.: 00778
 INSULATION Ø / ISOLATIONSØ: 1.355055

CUSTOMER DRAWING / KUNDENZEICHNUNG: 1.355055