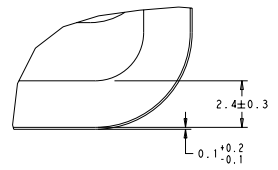
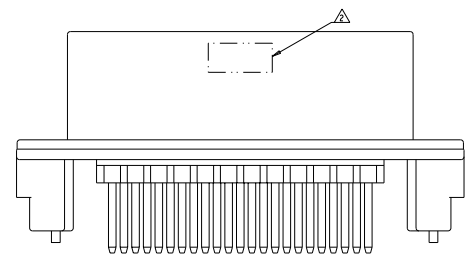
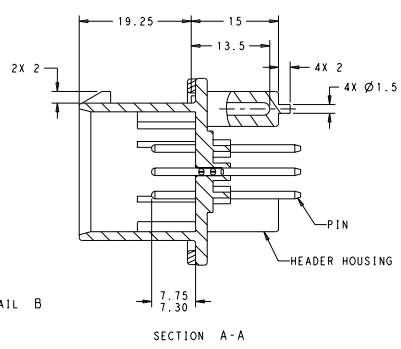
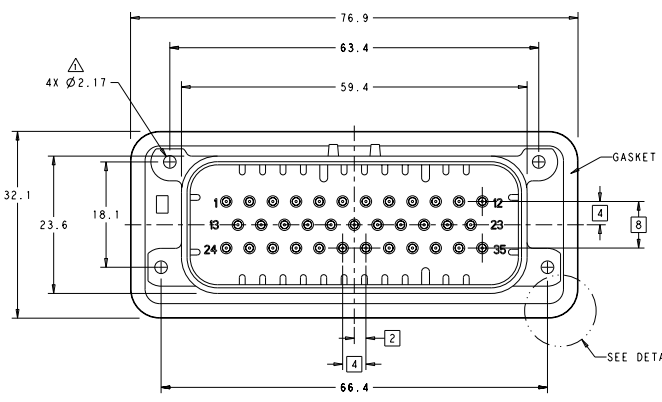


8	7	6	5	4	3	2	1
DATE MANUFACTURING INFORMATION	REVISED FOR FABRICATION						
00	00						

REV	BY	DATE	REVISIONS			
			DESCRIPTION	DATE	BY	APP
00	00					
A4			REVISED PER ECO-11-005030			



DETAIL B
SCALE 10:1

- △ ACCEPTS #4 SELF TAPPING THREAD CUTTING SCREWS OR METRIC EQUIVALENT. DRIVE TO 0.6 N-m MAX
- △ DATE CODE IN THIS LOCATION USING 5 DIGIT CODE
FIRST 2 DIGITS = YEAR, SECOND 2 DIGITS = WEEK
LAST DIGIT = DAY.
- △ MATERIALS: HEADER HOUSING - GLASS FILLED PBT
PINS - TIN OR GOLD PLATED BRASS
GASKET - SILICONE
- △ HOUSING COLORS ARE MECHANICALLY KEVED TO MATE ONLY WITH IDENTICALLY COLORED PLUG ASSEMBLIES.

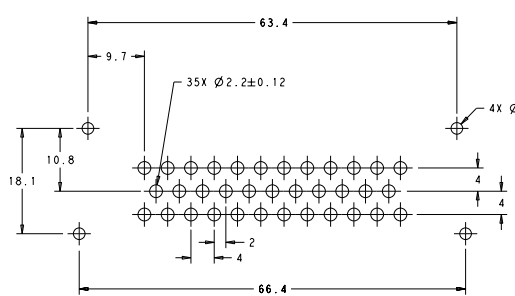
5. HEADER MATES TO PLUG ASSEMBLY 776164 WHICH USES REELED TERMINAL 770520 OR LOOSE PIECE TERMINAL 770554

776231-1 & 1-776231-1 SHOWN

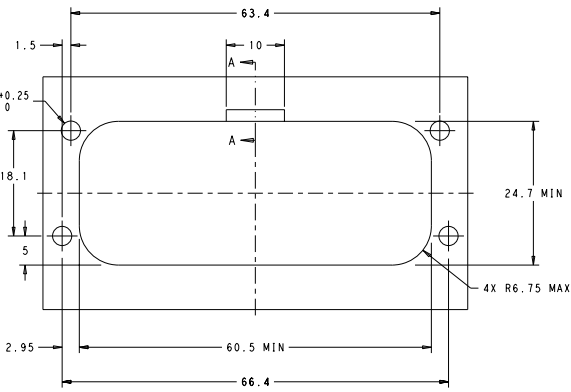
HEADER COLOR	PLATING	PART NUMBER
BLUE	DURAGOLD	1-776231-5
GRAY	DURAGOLD	1-776231-4
NATURAL	DURAGOLD	1-776231-2
BLACK	DURAGOLD	1-776231-1
BLUE	TIN	776231-5
GRAY	TIN	776231-4
NATURAL	TIN	776231-2
BLACK	TIN	776231-1

THIS DRAWING IS A CONTROLLED DOCUMENT.			
DRAWING NO: 100-1229	DATE: 01-13-19	REVISED BY: [Signature]	APPROVED BY: [Signature]
TITLE: ASSEMBLY, HEADER, 35 POSITION, VERTICAL, AMPSEAL WITH FLANGE SEAL	PART NO: 100-1229	CUSTOMER NO: 00779	CUSTOMER PART NO: 776231
MATERIAL: GLASS FILLED PBT	FINISH: TIN	HEADERS PER FOOT: 100	HEADERS PER FOOT: 100
THIS DRAWING IS A CONTROLLED DOCUMENT.	CUSTOMER DRAWING	SHEET: 1 OF 2	DRAWN BY: [Signature]

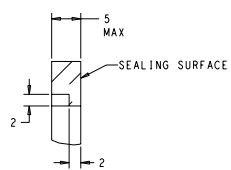
REV	DATE	DESCRIPTION	BY	CHK	APP
BV	00	SEE SHEET 1			



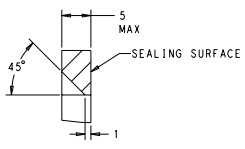
RECOMMENDED P.C. BOARD LAYOUT FOR 1.57 THICK P.C. BOARD



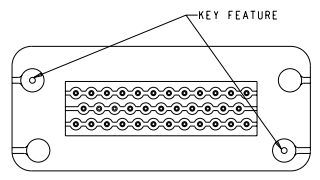
RECOMMENDED MOUNTING HOLE LAYOUT FOR 5.0 MAX THICK PANEL



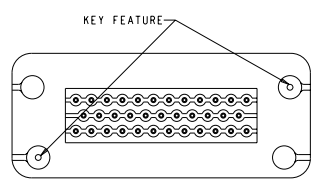
SECTION A-A
 OPTIONAL CONSTRUCTION IF PANEL THICKNESS IS GREATER THAN 2.0



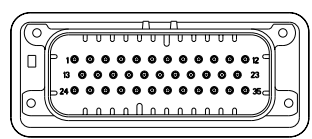
SECTION A-A
 OPTIONAL CONSTRUCTION IF PANEL THICKNESS IS GREATER THAN 2.0



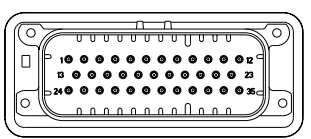
KEYING FOR 776231-1 AND 776231-4
 SCALE 2:1



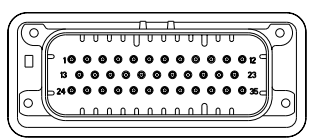
KEYING FOR 776231-2 AND 776231-5
 SCALE 2:1



776231-2 & 1-776231-2
 KEY LOCATION
 SCALE 2:1



776231-4 & 1-776231-4
 KEY LOCATION
 SCALE 2:1



776231-5 & 1-776231-5
 KEY LOCATION
 SCALE 2:1

THIS DRAWING IS A CONTROLLED DOCUMENT.		REV: 00	DATE: 03/2015	BY: [Signature]	CHK: [Signature]	APP: [Signature]
REV: 00	DATE: 03/2015	BY: [Signature]	CHK: [Signature]	APP: [Signature]	CUSTOMER DRAWING	
STRASSER 100-1229 116-18016 00779			TE Connectivity ASSEMBLY - HEADER 35 POSITION, VERTICAL AMPSEAL WITH FLANGE SEAL PART NUMBER 776231			
PAGE 2:1			SHEET 2 OF 2			