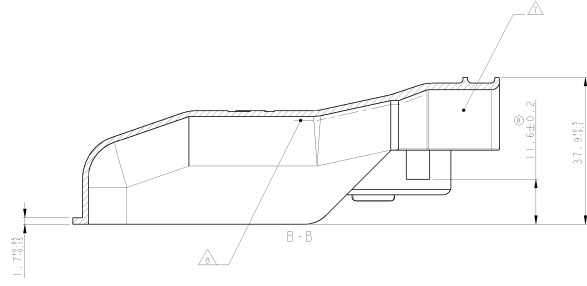
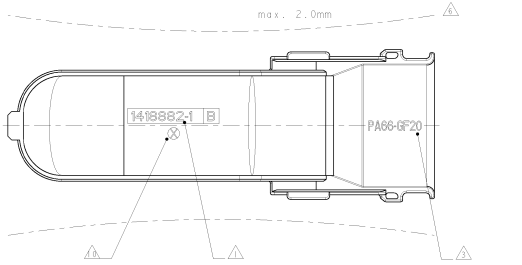
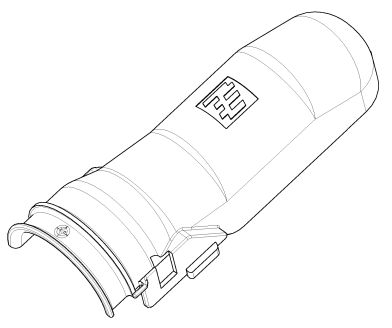
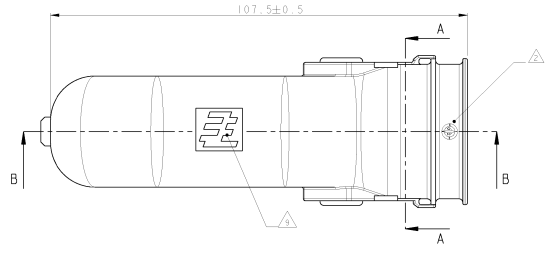
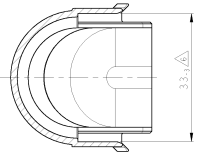


8	7	6	5	4	3	2	1
REVISIONS		REVISIONS		REVISIONS		REVISIONS	
A1		B2		C3		D4	
REVISED PER ECO-11-06094		REVISED PER ECO-11-06094		REVISED PER ECO-11-06094		REVISED PER ECO-11-06094	



SECTION A-A
Schnitt



- NOTES
Bemerkungen
- ⚠️ TE CONNECTIVITY NUMBER
TECONNECTIVITY Nummer
 - ⚠️ PRODUCTION DATE
Produktionsdatum
 - ⚠️ MATERIAL MARKING ACC. TO VDA 260
Werkstoffkennzeichnung nach
 - 4 BULK PACKAGING IN CORRUGATED BOX
Schäftigert in Wellenkarton
 - ⑤ FITS TO TE CONNECTIVITY PN:
1418882, 1718323, 1718323, 1718324
Passend zu TECONNECTIVITY PN
NUMMER: 1418882, 1718323, 1718324
 - ⚠️ WARPAGE TO . . . PERMITTED
Verzug zulässig bis . . .
 - ⚠️ DESIGNED FOR CORRUGATED TUBE MW6
Projiziert für Wellrohr MW6
 - ⚠️ NO SHARP EDGES PERMITTED
Keine scharfen Kanten zulässig
 - ⚠️ TYCO ELECTRONICS LOGO
Tyco Electronics Logo
 - ⚠️ CAVITY MARKING
Hohlraumkennzeichnung

TE CONNECTIVITY	1418882-1	PA66-GF20	BLACK	COVER	Abdeckhaube	B	1	107.5±0.5	15g	1418882	1418882	1418882	1418882	1418882	1418882	1418882	1418882	1418882	1418882	1418882
TE CONNECTIVITY PART-NO.	TE CONNECTIVITY PART-NO.	MAT.	COLOR	DESCRIPTION	REVISION	ITEM	LENGTH	WEIGHT	TE CONNECTIVITY PART-NO.	TE CONNECTIVITY PART-NO.	TE CONNECTIVITY PART-NO.	TE CONNECTIVITY PART-NO.	TE CONNECTIVITY PART-NO.	TE CONNECTIVITY PART-NO.	TE CONNECTIVITY PART-NO.	TE CONNECTIVITY PART-NO.	TE CONNECTIVITY PART-NO.	TE CONNECTIVITY PART-NO.	TE CONNECTIVITY PART-NO.	TE CONNECTIVITY PART-NO.