

4

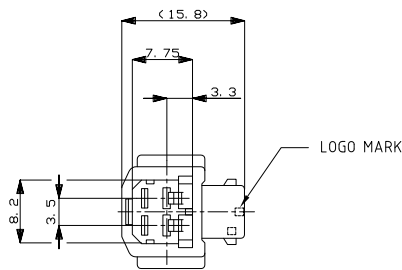
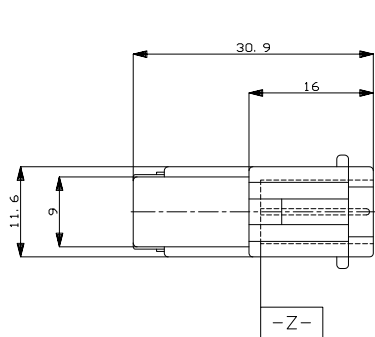
3

2

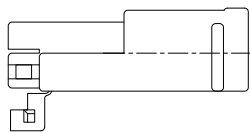
1

THIS DRAWING IS UNPUBLISHED. RELEASED FOR PUBLICATION  
 © COPYRIGHT - By - ALL RIGHTS RESERVED.

LOC	DIST	REVISIONS					
J	-	P	LTR	DESCRIPTION	DATE	DWN	APVD
		G2		REVISED PER ECO-11-005140	28MAR11	RK	HMR



- △ MUST BE KEPT BETWEEN  $\square$ -A- AND 2mm
  - 2. THE MATING PLUG HOUSING PART NUMBER 174463
  - 3. APPLIED TAB CONTACT ; PN 174645
- ①  $\square$ -A- 面より2mmの範囲で測定
  - 2. 嵌合相手ハウジング型番 174463
  - 3. 内嵌するタブコンタクトは型番 173645



	黄 (YELLOW)	174460-7
	灰 (GRAY)	174460-6
OBSOLETE	青 (BLUE)	174460-5
	黒 (BLACK)	174460-2
	白 (WHITE)	174460-1
	色 (COLOR)	型番 (PART NUMBER)

TOLERANCE UNLESS OTHERWISE SPECIFIED.  
一般公差

0 < x < 10	: ±0.2
10 < x < 30	: ±0.25
30 < x < 100	: ±0.3
ANGLE	: ±3°

THIS DRAWING IS A CONTROLLED DOCUMENT.

DIMENSIONS:	TOLERANCES UNLESS OTHERWISE SPECIFIED:
単位: 純	一般公差
mm	
0 PLC	± -
1 PLC	± -
2 PLC	± -
3 PLC	± -
4 PLC	± -
ANGLES	± -
MATERIAL	FINISH
PBT	仕上

DWN	18AUG08	TE Connectivity	
CHK	18AUG08		
APVD	18AUG08		
NAME	名称		
S. FUJITA		.070 SERIES MULTILOCK I/O CONNECTOR	
K. BETSUI		2 POSITION CAP HOUSING W-W	
K. BETSUI		製品規格	
PRODUCT SPEC		製品規格	
APPLICATION SPEC		取付適用規格	
WEIGHT	-	SIZE	A3
CUSTOMER DRAWING		CAGE CODE	00779
		DRAWING NO	174460
		SCALE	2:1
		SHEET	1 of 1
		REV	G2