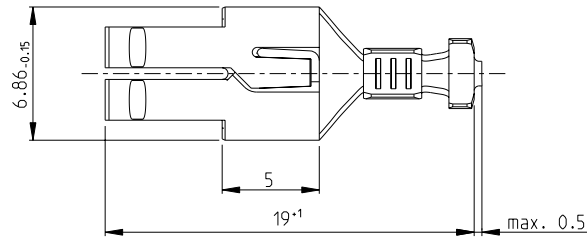
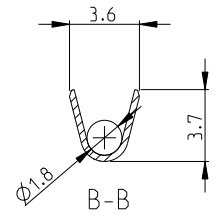
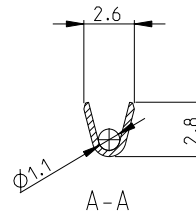
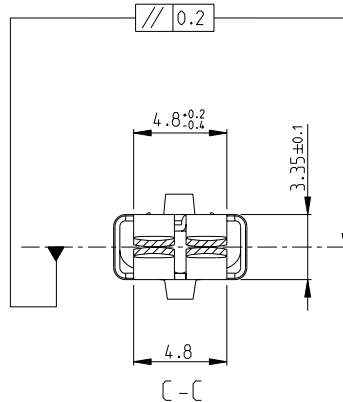
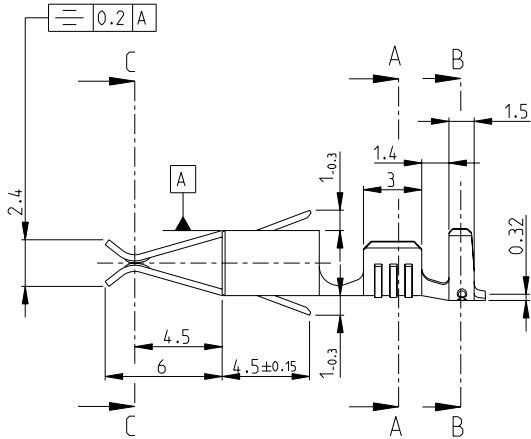


THIS DRAWING IS UNPUBLISHED. RELEASED FOR PUBLICATION 2011
 © COPYRIGHT 2011 ALL RIGHTS RESERVED.

LOC	DIST	REVISIONS				
P	LTR	DESCRIPTION	DATE	DWN	APVD	
AL	2	B1 REVISED PER ECO-11-005139	11APR2011	RK	HMR	



WIRE CRIMP SELECTION TABLE
 WIRE: "F" CRIMP
 INSULATION: OVERLAPPING CRIMP

WIRE CROSS SECTION (mm ²)					
	SINGLE WIRE	0.35	0.50	0.75	1.00
0.35	X	X			
0.50	X	X	X		
0.75	X				
1.00	X				

-	PRE-TIN	CuNiSi	964201-4	B
-	PRE-TIN	CuFe	964201-3	B
-	PRE-TIN	CuSn	964201-2	B
-	PRE-TIN	CuZn30	964201-1	B
LOOSE PIECE	FINISH	MATERIAL	PART NO.	REV.

WIRE RANGE: 0.5 - 1.0 mm²
 INSULATION RANGE: Ø1.4 - 2.3 mm

THIS DRAWING IS A CONTROLLED DOCUMENT.

DIMENSIONS: mm	TOLERANCES UNLESS OTHERWISE SPECIFIED: 0-PLC ±0.2 1-PLC ±0.2 2-PLC ±0.2 3-PLC ±0.2 4-PLC ±0.2 ANGLES ±0°	DWN J. Salo 20-AUG-10 CHK R. Sole 25AUG2010 APVD L. Battilo 25AUG2010 PRODUCT SPEC - APPLICATION SPEC - WEIGHT - CUSTOMER DRAWING	NAME STE TE Connectivity STANDARD TIMER CONTACT WITH TWO LOCKING LANCES SIZE A3 CAGE CODE - DRAWING NO. ©-964201 RESTRICTED TO -
MATERIAL -	FINISH -	SCALE 5:1	SHEET 1 of 1 REV B1