

Please note that the data given here has been taken from the online catalog. For comprehensive information and data, please refer to the user documentation at <http://www.download.phoenixcontact.com>. The General Terms and Conditions of Use apply to Internet downloads.

► Extract from the online catalog



Uni-directional, wireless, 900 MHz transmission system, consists of a transmitter (transmitter, Tx) and a receiver (receiver, Rx).

Order No.	2867102
Ord designation	RAD-ISM-900-SET-UD-ANT
EAN	4017918929558
Pack	1 Pcs.
Customs tariff	85269290
Catalog page information	Page 437 (IF-2005)

► Technical data

Radio set	
Set contents	Transmitter, receiver, 2 aerials
Spark gap	
Direction	uni-directional
Frequency range	902 MHz ... 928 MHz
Number of channel groups	4
Number of channels per group	63
Transmission capacity	1 W
Analog input (sender)	
Description of the input	Current input
Current input signal	4 mA ... 20 mA
Input resistance current input	< 170 Ohm

Digital input (sender)

Number of inputs	2
Input voltage range	5 V AC/DC ... 30 V AC/DC
Switching threshold "0" signal, voltage	Max. 1.5 V DC
Switching threshold "1" signal voltage	Min. 5 V DC

Analog output (receiver)

Output name	Current output
Current output signal	4 mA ... 20 mA
Load/output load current output	700 Ohm (At $U_B = 24 \text{ V}$, $R_{B_B} = [U_{B_B} - 10 \text{ V}] / 20 \text{ mA}$)

Digital output (receiver)

Output name	2 x relay output + 1 x RF link
Contact type	3 floating PDT contacts
Maximum switching voltage	110 V DC
Maximum switching voltage	120 V AC
Limiting continuous current	0.5 A

Supply (sender)

Supply voltage	24 V DC
Range of supply voltages	12 V DC ... 30 V DC
Typical current consumption	75 mA
Max. current consumption	350 mA

Supply (receiver)

Supply voltage	24 V DC
Range of supply voltages	12 V DC ... 30 V DC
Max. current consumption	125 mA

General data

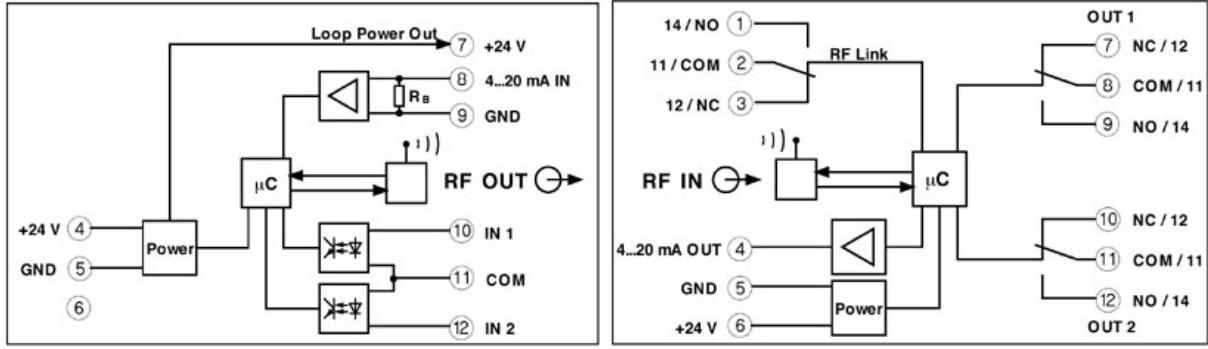
Ambient temperature (operation)	-20 ° C ... 65 ° C
Degree of protection	IP20
Installation position	Any
Assembly instructions	on TS 35 profile rail acc. to EN 60 715
Housing material	Polyamide PA non-reinforced
Length	99 mm
Width	17.5 mm
Height	114.5 mm

Connection data

Conductor cross section, rigid min.	0.2 mm ²
Conductor cross section, rigid max.	2.5 mm ²
Conductor cross section flexible min.	0.2 mm ²
Conductor cross section, flexible max.	2.5 mm ²
Conductor cross section AWG/kcmil min.	24
Conductor cross section AWG/kcmil max	14
Type of connection	Screw connection
Stripping length	8 mm
Screw thread	M 3

► Drawings

Block diagram





► **Address**

PHOENIX CONTACT Inc., USA
586 Fulling Mill Road
Middletown, PA 17057
USA
Phone (800) 888-7388
Fax (717) 944-1625
<http://www.phoenixcon.com>
Phoenix Contact
Technical modifications reserved;