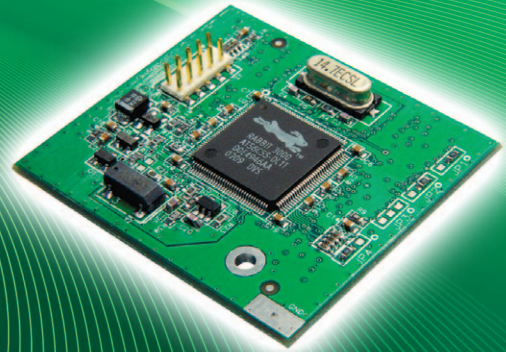


RabbitCore[®] RCM3100 Series

Microprocessor Core Module

A cost-effective solution that allows embedded engineers to add intelligence and I/O control to a wide variety of peripheral devices.

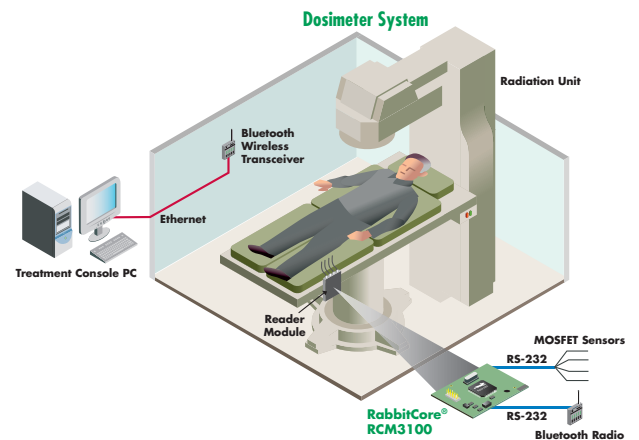


Overview

Powered by the Rabbit[®] 3000 microprocessor, the compact RCM3100 series boasts powerful features and a small footprint (47 mm × 42 mm) to simplify integration. Its small size and ease of use when paired with Dynamic C[®] allow engineers to add device intelligence and I/O control for many of today's embedded applications. The RCM3100 series is ideal for applications requiring M2M connectivity and is pin-compatible with the RCM3000 series for cost-effective Ethernet and non-Ethernet systems.

Rabbit hardware and Dynamic C are designed in a complementary fashion for maximum performance and ease of use in embedded systems. The additional software components in Dynamic C allow you to add functionality for embedded application customization.

Application Highlight



Potential Applications: Device intelligence, embedded control, sensor reading, serial device coordinator and GPS/AVL applications.

Features/Benefits

- Rabbit 3000 microprocessor at 30 MHz
- Up to 512K Flash/512K SRAM
- 54 digital I/O and 6 serial ports (IrDA, HDLC, asynch, SPI)
- 3.3V operation, low power "sleepy" modes (< 2mA)
- Compact size simplifies integration
- Ready-made platform for fast time-to-market, up to 3 months of design integration time savings
- Low-cost embedded microprocessor module
- Easily links to multiple serial devices



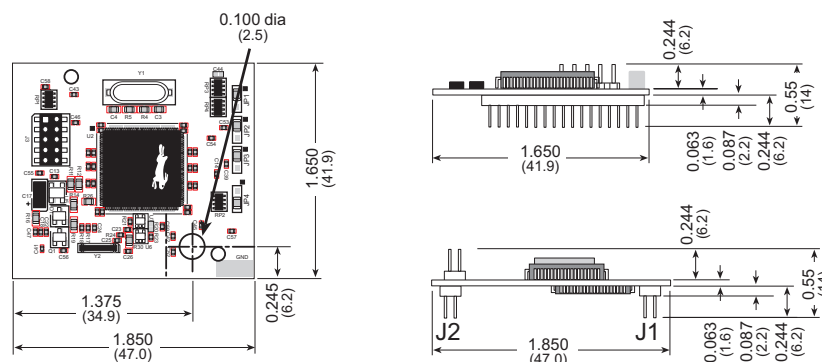
www.digi.com

Specifications

RCM3100

RCM3110

Feature		
Microprocessor	Rabbit 3000® at 30 MHz	
EMI Reduction	Spectrum spreader for reduced EMI (radiated emissions)	
Flash Memory	512K (2 × 256K)	256K
SRAM	512K	128K
Backup Battery	Connection for user-supplied backup battery to support RTC and SRAM	
General-Purpose I/O	54 parallel digital I/O lines: <ul style="list-style-type: none"> • 46 configurable I/O • 4 fixed inputs • 4 fixed outputs 	
Additional Digital Inputs	2 startup mode, reset in	
Additional Digital Outputs	Status, reset out	
Auxiliary I/O Bus	8 data lines and 6 address lines (shared with I/O) plus I/O read/write	
Serial Ports	6 shared high-speed, CMOS-compatible ports: <ul style="list-style-type: none"> • 6 configurable as asynchronous (with IrDA), 4 as clocked serial (SPI), and 2 as SDLC/HDLC (with IrDA) • 1 asynchronous clocked serial port dedicated for programming • Support for MIR/SIR IrDA transceiver 	
Serial Rate	Max. asynchronous baud rate = CLK/8	
Slave Interface	A slave port allows the RCM3100 to be used as a master or as an intelligent peripheral device with Rabbit-based or any other type of processor	
Real-Time Clock	Yes	
Timers	Ten 8-bit timers (6 cascadable from the first), one 10-bit timer with 2 match registers	
Watchdog/Supervisor	Yes	
Pulse-Width Modulators	10-bit free-running counter and four pulse-width registers	
Input Capture	2-channel input capture can be used to time input signals from various port pins	
Quadrature Decoder	2-channel quadrature decoder accepts inputs from external incremental encoder modules	
Power	3.15V to 3.45VDC 75 mA @ 3.3V	
Operating Temperature	-40° C to +85° C	
Humidity	5% to 95%, non-condensing	
Board Size	1.850" × 1.650" × 0.55" (47 mm × 42 mm × 14 mm)	
Pricing		
Price and Part Number	\$65; 20-101-0517	\$45; 20-101-0518
Development Kit and Part Number	\$239; 101-0533	None



Visit www.digiembedded.com for part numbers.

DIGI SERVICE AND SUPPORT - You can purchase with confidence knowing that Digi is here to support you with expert technical support and a strong one-year warranty. www.digi.com/support

Digi International
877-912-3444
952-912-3444
info@digi.com

Digi International France
+33-1-55-61-98-98
www.digi.fr

Digi International KK
+81-3-5428-0261
www.digi-intl.co.jp

Digi International (HK) Limited
+852-2833-1008
www.digi.cn

BUY ONLINE • www.digiembedded.com



91001603
82/411

© 2006-2011 Digi International Inc. All rights reserved. Digi, Digi International, the Digi logo, the Making Wireless M2M Easy logo, Rabbit, RabbitCore and Dynamic C are trademarks or registered trademarks of Digi International Inc. in the United States and other countries worldwide. All other trademarks are the property of their respective owners. All information provided is subject to change without notice.

