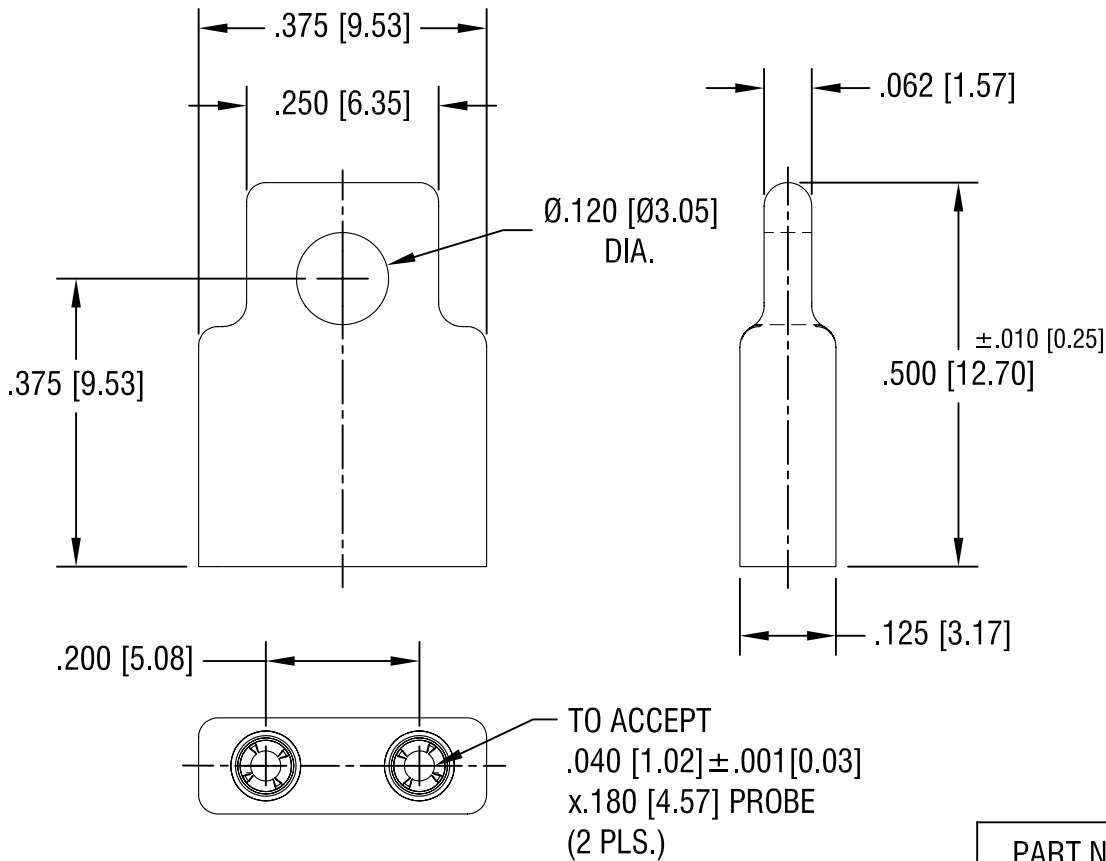
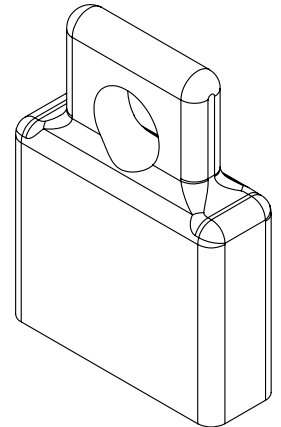


THIS DOCUMENT IS THE PROPERTY OF
KEYSTONE ELECTRONICS CORP. AND
SHALL NOT BE REPRODUCED, DISTRIBUTED
OR USED AS A BASIS FOR MANUFACTURE
WITHOUT PRIOR WRITTEN PERMISSION
FROM KEYSTONE ELECTRONICS CORP.



PART NO.	COLOR
1487L	BLUE
1487R	RED
1487B	BLACK

NOTES:

1. HOUSING: POLYPROPYLENE, 30% GLASS FILLED
2. SHELL: BRASS, GOLD PLATE
3. CONTACT: MT'L- BERYLLIUM COPPER GOLD PLATE
4. SLIGHT SHRINK DEPRESSION ON BOTH SIDES PERMISSIBLE

DATE	DESCRIPTION	REV.
5.08.08	CHANGE AS PER ECN 08-105	B
1.14.08	CHANGE AS PER ECN 08-048	A

KEYSTONE ELECTRONICS CORP.			
ASTORIA, N.Y. 11105-2017			
PART NAME MOLDED SHORTING JACK			
MATERIAL AS NOTED			
FINISH AS NOTED		DRN BY NT	DATE 10.26.07
		APP'D	SCALE 4X
TOLERANCES	INCH [MM]	CODE	DWG NO.
DECIMAL	± .005 [± 0.15]	C	1487-
ANGULAR	± 1°		
UNLESS OTHERWISE SPECIFIED			