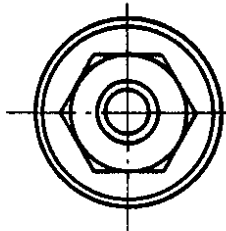
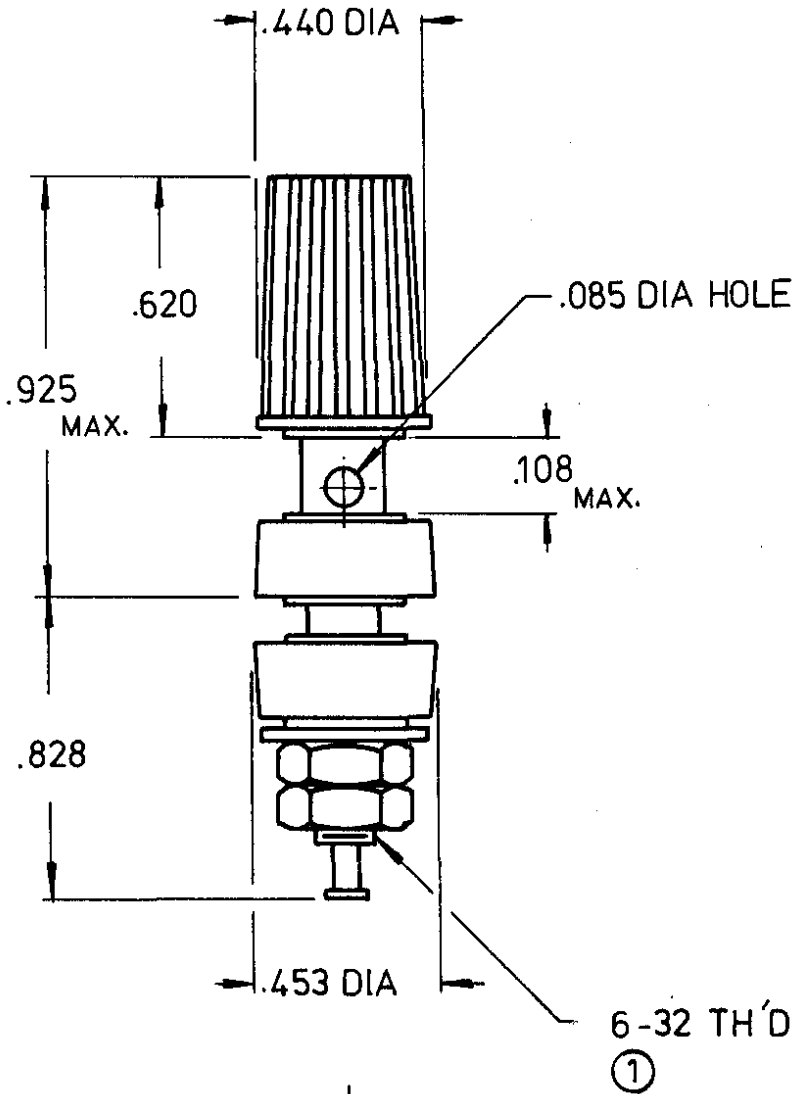


FOR STANDARD BANANA PLUG:

.175 DIA



NOTE:

STUD — BRASS  
 — GOLD OVER NICKEL PL.  
 INSULATING MAT'L — NYLON

P/No.	COLOR
7012	RED
7013	BLACK

**KEYSTONE ELECTRONICS CORP.**

ASTORIA, N.Y. 11105-2017

<b>PART NAME</b> BINDING POST		
<b>MATERIAL</b> AS NOTED		
<b>FINISH</b> AS NOTED	<b>DRAWN BY</b> L.N.	<b>DATE</b> 1.3.83
	<b>APPROVED</b> A.A.	<b>SCALE</b> _____
<b>TOLERANCES</b> FRACTIONAL ± DECIMAL ± .005 ANGULAR ± UNLESS OTHERWISE NOTED	<b>DWG. NO.</b> 7012 - 7013	

10188 ① WAS 8-32

A

DATE	REVISION	ISSUE

NO.

CODE

C/M