



Audio

**NEUTRIK**

Deutsche Version

Home  
About Us  
Products  
Support  
News  
Sitemap

Search

Products only

© Neutrik® AG  
All rights reserved  
Legal Notices



[back](#)

[Print](#)

## NL4MPR



4 pole chassis connector, black round G-size flange, countersunk thru holes, 3/16" flat tabs

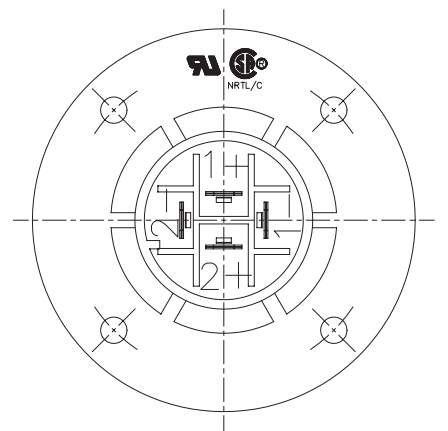
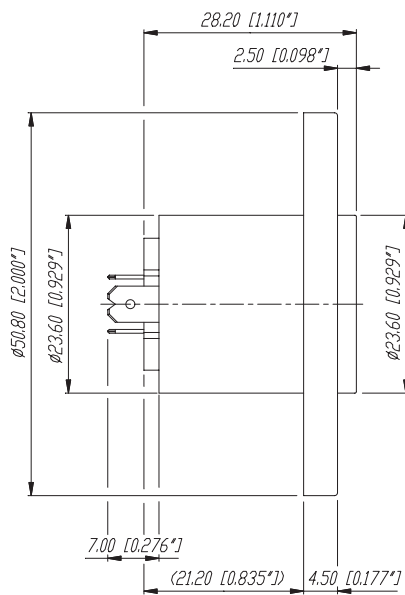
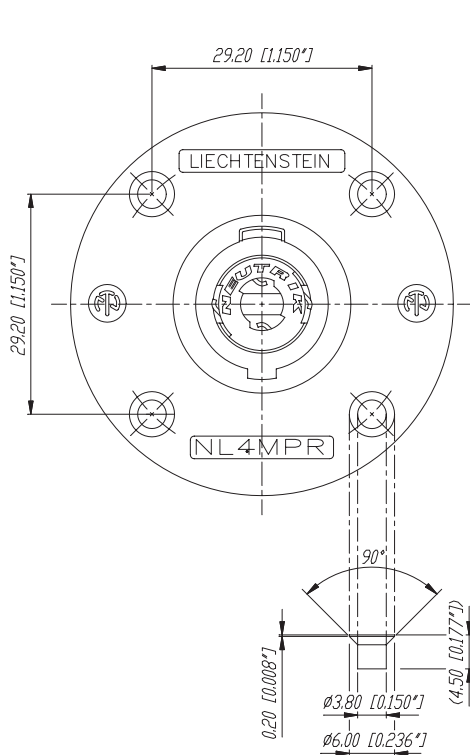
The state-of-the-art chassis connector for loudspeaker / amplifier applications. They feature a unique locking system, robust plastic housing and high current silver plated contacts.

### Features & Benefits

- Standard current rating 30 Amp
- High current version up to 50 Amp audio current
- Glass reinforced materials make it extremely robust and dependable
- Precise keyway for secure mating
- Accurate twist lock latching system
- Metal insert in locking area
- Airtight design - optimized for speaker applications

### ACCESSORIES





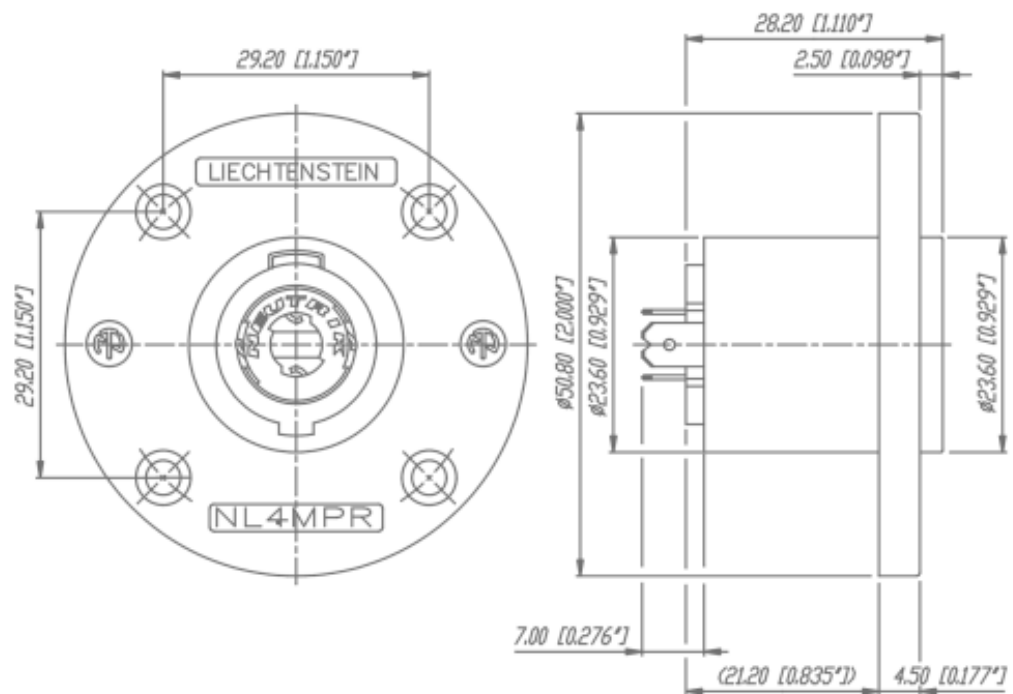
Housing material PA6 / 30% GR

				Werkstoff:	Maßstab:	Datum	Name	
				*Lieferant darf ohne Rücksprache nicht geändert werden Zeichnung urheberrechtlich geschützt (DIN 94) (C) Benennung: NL-Serie NL 4MPR	2:1	Gezeichnet	26.06.89	Martinek
						Geprüft		
						Gesehen		
E	Verriegelungsblech	2002	Batlg.			Ersetzt durch	Blatt	
D	Beschriftung	28.08.97	Loretz			Ersetzt fuer	von Blatt	
C	UL/CSA Zeichen	27.09.95	Loretz					
B	Zeichnung erneuern	30.01.92	Batlg.					
A	Deckel neu	07.03.91	Juen					
Ind.	Aenderung	Datum	Name	NEUTRIK AG FL-9494 SCHAAN		Zeichn. Nr.	3102 St05 07	



# Chassis Connectors

## NL4MPR



There are no technical infos for this product.

Product	
Connector Type	Speakon
Gender	male
Electrical	
Contact resistance	≤ 3 mΩ (after lifetime)
Dielectric strength	4 kVdc (peak)
Insulation resistance	> 1 GΩ (after dampheat)
Rated current per contact	30 A rms continuous
Rated current per contact	40 A audiosignal, duty cycle 50 %
Rated voltage	250 V (Insulation)
Mechanical	
Lifetime	> 5000 mating cycles
Wiring	3/16" flat tabs
Locking device	Quick Lock

Mounting direction	front & rear
Chassis shape	round G-size flange
Layout	four thru holes
<b>Material</b>	
Contact plating	4 µm Ag
Contacts	Bronze (CuSn6)
Shell	Polyamide (PA 6 30 % GR) black
<b>Environmental</b>	
Approvals	UL,CSA
Flammability	UL 94 HB
Solderability	Complies with IEC 68-2-20
Temperature range	-30 °C to +80 °C
<b>Optical</b>	
<b>Mobile Cables</b>	