

Switchcraft®

[Previous Page](#) | [Return to Index](#) | [Next Page](#)



.141" MINIATURE PHONE JACKS

SERIES 125

[click here to download a schematic drawing](#)

(you will need to have Adobe Acrobat installed on your system to do this)

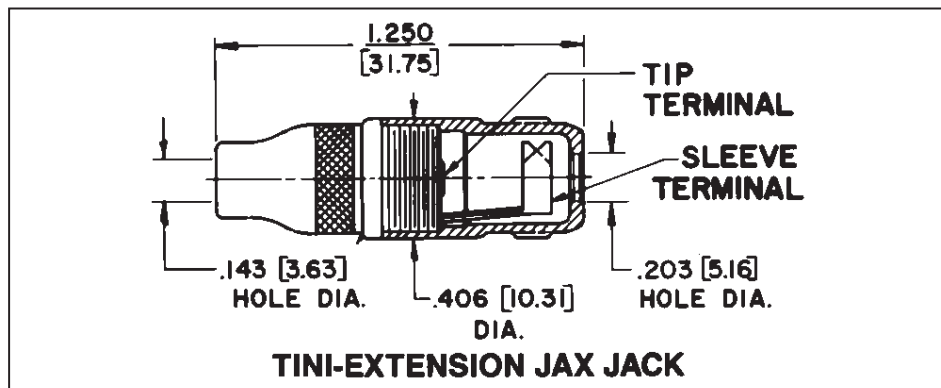


MINIATURE EXTENSION JACK, PHONE JACK NUMBER 125 (EIA standard)

Cable-mounted Tini-Extension Jax® 2-conductor single open circuit jack has built in cable clamp/sleeve terminal. Mates with Tini-Plug® phone plugs and other plugs with .141 inch diameter fingers and compatible tip shape. Shielded housing/handle is knurled for positive fingertip grip; solder lug terminals. **Body and handle:** Nickel-plated copper alloy. **Insulation:** Rigid plastic. **Springs:** Plated copper alloy.

SWITCHCRAFT, INC. 5555 N. Elston Ave.
Chicago, IL 60630 • 773 792-2700 • FAX: 773 792-2129
www.switchcraft.com

.141" MINIATURE PHONE JACKS



DIMENSIONS ARE FOR REFERENCE ONLY

$\frac{\text{Inch}}{\text{(mm)}}$