

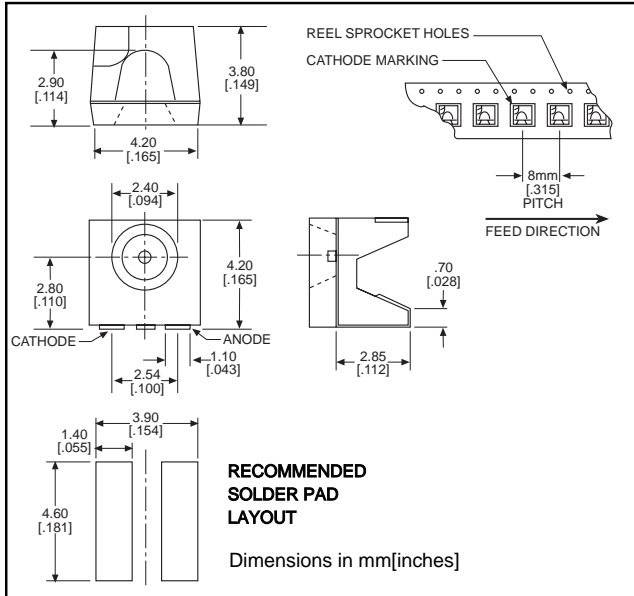
microLED[®]

**Surface Mount LED
Right Angle Type Package**

Dialight

597-2x01-2xx

1



PART NO.*

- 597-2001-2xx
- 597-2301-2xx
- 597-2401-2xx

COLOR

- Red
- Green
- Yellow

Features

- Compatible with automatic placement equipment
- Compatible with infrared reflow processes
- Packaged on 12mm tape, 13" reels (meets EIA-481-1 standard)
- Helps to eliminate mixed technology PC board processing

***ORDERING INFORMATION**

597-2x01-2xx

packaging option

| | |
|----|-------------------------|
| 02 | 20 pieces on tape |
| 13 | 13" reel, 2000 pcs/reel |

ABSOLUTE MAXIMUM RATINGS (T_A=25°C)

| | Red -2001 | Green -2301 | Yellow -2401 |
|--|-------------------|----------------|-----------------|
| Power Dissipation (mW) | 100 | 100 | 100 |
| Forward Current (mA) | 30 | 30 | 30 |
| Derating (mA/C°) From 55°C | .66 | .66 | .66 |
| Peak Current (mA) Pulse width = 10 μs | 500 | 500 | 500 |
| Operating Temperature (°C) | -55/+100 | -55/+100 | -55/+100 |
| Storage Temperature (°C) | -55/+100 | -55/+100 | -55/+100 |
| Soldering Temperature | 260°C, 10 seconds | | |

Solder Adherence per MIL-STD-202E, Method 208C

OPERATING CHARACTERISTICS (T_A=25°C)

| | | Red -2001 | Green -2301 | Yellow -2401 |
|------------------------------------|---------|--------------|----------------|-----------------|
| Luminous Intensity (mcd) | Min. | 4 | 4 | 4 |
| | Typical | 32 | 32 | 32 |
| Peak Wavelength (nm) | Typical | 635 | 565 | 586 |
| Viewing Angle (2θ ^{1/2}) | Typical | 120° | 120° | 120° |
| Forward Voltage (V) | Typical | 2 | 2 | 2 |
| | Max. | 2.6 | 2.6 | 2.6 |
| Reverse Current (μA) | Max | 100 | 100 | 100 |
| (V _R = 5V) | | | | |

① 1/2 is the off axis angle at which the luminous intensity is half the axial luminous intensity