

◆ Home > 6123132140F

Part Number: **6123132140F**

### General Description

|                            |                                      |
|----------------------------|--------------------------------------|
| Color                      | Red                                  |
| Series                     | 612                                  |
| Description                | Red LED 12mm Mounting Hole Indicator |
| Housing                    | Polycarbonate                        |
| Mounting Method            | Lock Washer and Nut                  |
| Compliance                 | Front of Panel                       |
| Termination                | Solder Blade                         |
| Mounting Hole Size         | .492"                                |
| Panel Thickness            | .236"                                |
| Lens Material              | polycarbonate                        |
| Luminous Intensity Typical | 60                                   |
| Forward Current mA         | 15 mA                                |
| Voltage                    | 24 VDC                               |
| Operating Temperature      | -25 +85                              |
| Storage Temperature        | -25 +100                             |

# Dialight

## 612 Series LED Panel Mount Indicators for 12mm Mounting Hole



### FEATURES / BENEFITS

- ▲ RoHS Compliant
- ▲ Long Life - typically 100K hours
- ▲ Low power consumption - uses up to 90% less energy than an incandescent indicator
- ▲ No heat generated
- ▲ Colors include red, green and yellow
- ▲ Front panel mounting

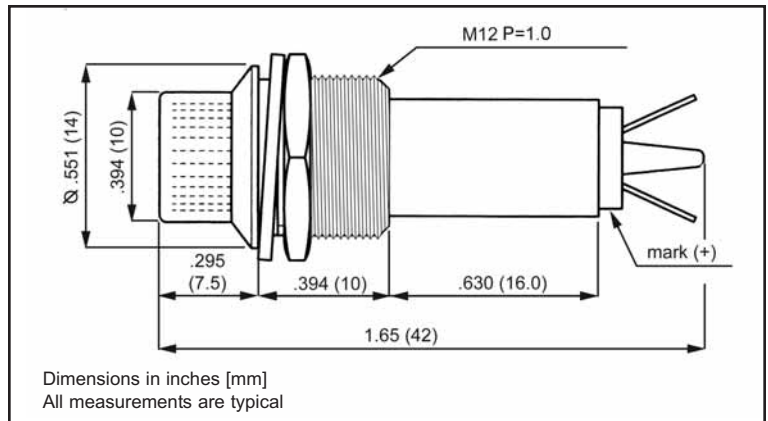
### APPLICATIONS

Dialight's 600 series of metric indicators are designed for a variety of applications such as:

- Main and remote power indication
- Status Indication
- Maintenance and warning indication
- Instrumentation
- ...and many more!

### SPECIFICATIONS

- ▲ Voltage requirements: 6, 12 and 24 VDC (No limiting resistor required)
- ▲ Electrical connection through solder terminals
- ▲ Mounting hole size: 0.492 inches (12.5 mm)
- ▲ Maximum panel thickness: 0.236 inches (6.3 mm)
- ▲ Mounts with lock washer and nut (0.217 lbs/ft or 3 Kg/cm torque recommended)
- ▲ Operating Temperature : -25°C to +85°C
- ▲ Storage Temperature: -25°C to +100°C
- ▲ Housing Material: Polycarbonate
- ▲ Lens Material: Polycarbonate to match emitting color



| Part Number   | Color  | Voltage (VDC) | Current (mA) | Typ. Intensity (mcd) | RoHS Compliant |
|---------------|--------|---------------|--------------|----------------------|----------------|
| 612-3132-120F | Red    | 6             | 15           | 60                   | ✓              |
| 612-3232-120F | Green  | 6             | 15           | 110                  | ✓              |
| 612-3332-120F | Yellow | 6             | 15           | 90                   | ✓              |
| 612-3132-130F | Red    | 12            | 15           | 60                   | ✓              |
| 612-3232-130F | Green  | 12            | 15           | 110                  | ✓              |
| 612-3332-130F | Yellow | 12            | 15           | 90                   | ✓              |
| 612-3132-140F | Red    | 24            | 15           | 60                   | ✓              |
| 612-3232-140F | Green  | 24            | 15           | 110                  | ✓              |
| 612-3332-140F | Yellow | 24            | 15           | 90                   | ✓              |

Dialight reserves the right to make changes at any time in order to supply the best product possible.

Dialight Corporation

