

Dialight

609 Series

LED Panel Mount Indicators for 9mm Mounting Hole



FEATURES / BENEFITS

- ▲ Long Life - typically 100K hours
- ▲ Low power consumption - uses up to 90% less energy than an incandescent indicator
- ▲ No heat generated
- ▲ Colors include red, green, and yellow
- ▲ Front panel mounting
- ▲ LED can be recessed or protrude from housing

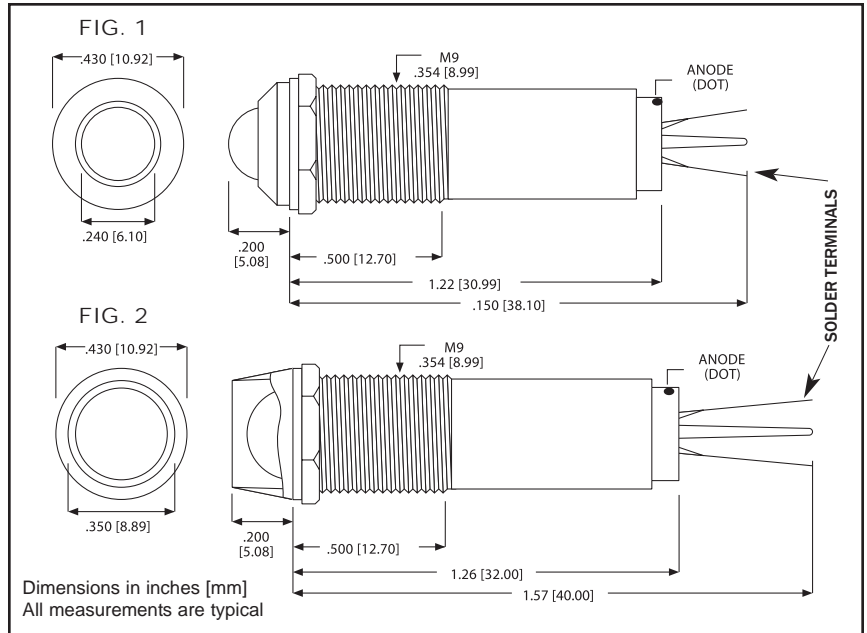
APPLICATIONS

Dialight's 600 series of metric indicators are designed for a variety of applications such as:

- Main and remote power indication
- Status Indication
- Maintenance and warning indication
- Instrumentation
- ...and many more!

SPECIFICATIONS

- ▲ Voltage requirements: 6, 12 and 24 VDC (no resistor required)
- ▲ Electrical connection through solder terminals
- ▲ Mounting hole size: 0.366 inches [9.3 mm]
- ▲ Maximum panel thickness: 0.295 inches [7.5 mm]
- ▲ Mounts with lock washer and nut (0.362 lbs/ft or 5 Kg/cm torque recommended)
- ▲ Operating Temperature : -25°C to +85°C
- ▲ Storage Temperature: -25°C to +100°C
- ▲ Housing Material: Chrome plated brass or Black painted brass



Dialight reserves the right to make changes at any time in order to supply the best product possible.



Dialight Corporation

1501 Route 34 South • Farmingdale, NJ 07727 USA

Tel: (1) 732-919-3119 • Fax: (1) 732-751-5778 • www.dialight.com



MDEL609X001_B



609 Series LED Panel Mount Indicators for 9mm Mounting Hole

Part Number	Color	Voltage (VDC)	Current (mA)	Intensity TYP. (mcd)	LED Positions	Finish	Figure
609-1112-120	Red	6	15	60	Protruding	Chrome	1
609-1122-120	Red	6	15	60	Protruding	Black	1
609-1212-120	Green	6	15	110	Protruding	Chrome	1
609-1222-120	Green	6	15	110	Protruding	Black	1
609-1312-120	Yellow	6	15	90	Protruding	Chrome	1
609-1322-120	Yellow	6	15	90	Protruding	Black	1
609-1112-130	Red	12	15	60	Protruding	Chrome	1
609-1122-130	Red	12	15	60	Protruding	Black	1
609-1212-130	Green	12	15	110	Protruding	Chrome	1
609-1222-130	Green	12	15	110	Protruding	Black	1
609-1312-130	Yellow	12	15	90	Protruding	Chrome	1
609-1322-130	Yellow	12	15	90	Protruding	Black	1
609-1112-140	Red	24	15	60	Protruding	Chrome	1
609-1122-140	Red	24	15	60	Protruding	Black	1
609-1212-140	Green	24	15	110	Protruding	Chrome	1
609-1222-140	Green	24	15	110	Protruding	Black	1
609-1312-140	Yellow	24	15	90	Protruding	Chrome	1
609-1322-140	Yellow	24	15	90	Protruding	Black	1
609-2112-120	Red	6	15	60	Recess	Chrome	2
609-2122-120	Red	6	15	60	Recess	Black	2
609-2212-120	Green	6	15	110	Recess	Chrome	2
609-2222-120	Green	6	15	110	Recess	Black	2
609-2312-120	Yellow	6	15	90	Recess	Chrome	2
609-2322-120	Yellow	6	15	90	Recess	Black	2
609-2112-130	Red	12	15	60	Recess	Chrome	2
609-2122-130	Red	12	15	60	Recess	Black	2
609-2212-130	Green	12	15	110	Recess	Chrome	2
609-2222-130	Green	12	15	110	Recess	Black	2
609-2312-130	Yellow	12	15	90	Recess	Chrome	2
609-2322-130	Yellow	12	15	90	Recess	Black	2
609-2112-140	Red	24	15	60	Recess	Chrome	2
609-2122-140	Red	24	15	60	Recess	Black	2
609-2212-140	Green	24	15	110	Recess	Chrome	2
609-2222-140	Green	24	15	110	Recess	Black	2
609-2312-140	Yellow	24	15	90	Recess	Chrome	2
609-2322-140	Yellow	24	15	90	Recess	Black	2

Dialight reserves the right to make changes at any time in order to supply the best product possible.



Dialight Corporation

1501 Route 34 South • Farmingdale, NJ 07727 USA

Tel: (1) 732-919-3119 • Fax: (1) 732-751-5778 • www.dialight.com



MDEL609X001_B