



We Tame Photons to Work for You!



Products

Search Tools

Solutions

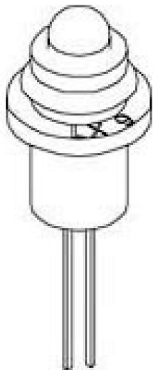
Literature

Tech Notes

Support

Corporate

Products > LED Indicators > Panel Indicators > Round > Rear Insertion > 5mm



### Features / Options

- ▶ Bi-Color Styles Optional
- ▶ State-of-the-Art, LED Technology
- ▶ Choice of LED Colors and Lens Finishes
- ▶ Insulated Lead Lengths Optional
- ▶ Easy installation through panel

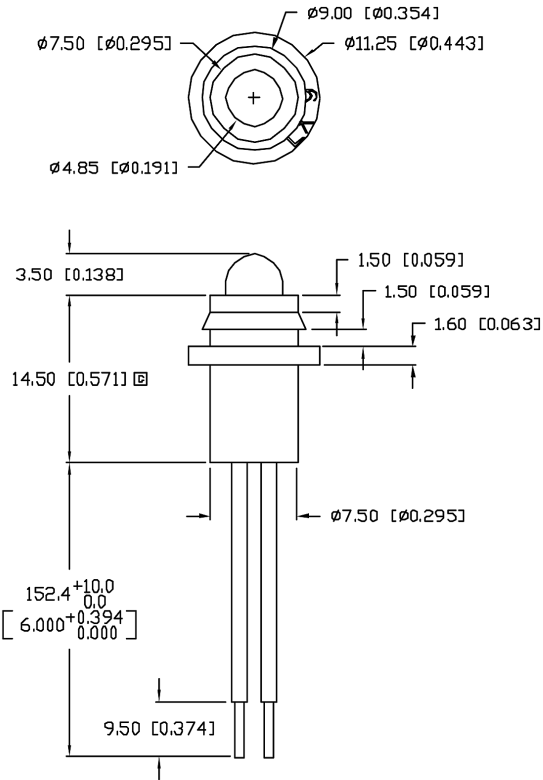
### Applications / Uses

- ▶ Front Panel Status Indicators
- ▶ Alarm/Warning Indicators
- ▶ Front Panel Circuit Fault Indicators
- ▶ Instrument Control Panels
- ▶ Medical Diagnostics Indicators
- ▶ Industrial Automation Control Panels

Part Number:	Brightness	Material	Emitted Color	Wavelength	Intensity	View Angle	Voltage
SSI-LXH9GD	STANDARD	GaP	Green	565	30	60	2.2
SSI-LXH9GD-150	STANDARD	GaP	Green	565	30	60	2.2
SSI-LXH9GD-5V	STANDARD	GaP	Green	565	20	60	5.0
SSI-LXH9GD5V-150	STANDARD	GaP	Green	565	20	60	5.0
SSI-LXH9HGW	STANDARD	GaP	Red/ Green	700/565	6/30	60	2.0/2.2
SSI-LXH9HGW-150	STANDARD	GaP	Red/ Green	700/565	5/25	60	2.0/2.2
SSI-LXH9ID	STANDARD	GaAsP	Red	635	40	60	2.0
SSI-LXH9ID-150	STANDARD	GaAsP	Red	635	40	60	2.0
SSI-LXH9ID-5V	STANDARD	GaAsP	Red	635	20	60	5.0
SSI-LXH9ID5V-150	STANDARD	GaAsP	Red	635	20	60	5.0
SSI-LXH9SID-150	HIGH	AlInGaP	Red	636	100	60	2.0

SSI-LXH9SOD-150		HIGH	AlInGaP	Orange	610	100	60	2.0
SSI-LXH9SRD		HIGH	GaAIAs	Red	660	80	60	1.8
SSI-LXH9SRD-150		HIGH	GaAIAs	Red	660	80	60	1.7
SSI-LXH9SUGD-150		HIGH	AlInGaP	Green	574	170	60	2.2
SSI-LXH9SYD-150		HIGH	AlInGaP	Yellow	590	100	60	2.1
SSI-LXH9USB-150		HIGH	InGaN	Blue	470	60	60	3.5
SSI-LXH9YD		STANDARD	GaAsP	Yellow	585	30	60	2.1
SSI-LXH9YD-150		STANDARD	GaAsP	Yellow	585	30	60	2.1
SSI-LXH9YD-5V		STANDARD	GaAsP	Yellow	585	20	60	5.0
SSI-LXH9YD5V-150		STANDARD	GaAsP	Yellow	585	20	60	5.0

UNCONTROLLED DOCUMENT



PART NUMBER		REV.
SSI-LXH9YD-150		D
REV.	E.C.N. NUMBER AND REVISION COMMENTS	DATE
A	CHANGED NOTES.	4.29.94
B	UPDATED SPECS AND NOTES.	5.31.95
C	E.C.N. #10427.	5.15.98
D	E.C.N. #10BRDR. & REDRAWN IN 3D.	1.8.02

ELECTRO-OPTICAL CHARACTERISTICS  $T_A=25^\circ\text{C}$   $I_f=20\text{mA}$

PARAMETER	MIN	TYP	MAX	UNITS	TEST COND
PEAK WAVELENGTH		585		nm	
FORWARD VOLTAGE		2.1	2.5	$V_f$	
REVERSE VOLTAGE	5.0			$V_r$	$I_r=100\mu\text{A}$
AXIAL INTENSITY		30		mcd	$I_f=20\text{mA}$
VIEWING ANGLE		60		2x theta	
EMITTED COLOR:	YELLOW				
EPOXY LENS FINISH:	YELLOW DIFFUSED				

LIMITS OF SAFE OPERATION AT 25°C

PARAMETER	MAX	UNITS
PEAK FORWARD CURRENT*	150	mA
STEADY CURRENT	30	mA
POWER DISSIPATION	105	mW
DERATE FROM 25°C	-1.2	mW/°C
OPERATING, STORAGE TEMP.	-40 TO +85	°C

\*  $t < 10\mu\text{s}$

- NOTES:
1. SSL-LX509F3YD, YELLOW LED.
  2. SSH-LXH9, BLACK RUBBER HOUSING.
  3. ANODE LEAD: LXP-WST24RDTCC, 24 AWG STRANDED, RED INSULATION, CUT 155mm LONG, STRIP 2mm & 9.5mm.
  4. CATHODE LEAD: LXP-WST24BLTCC, 24 AWG STRANDED, BLACK INSULATION, CUT 155mm LONG, STRIP 2mm & 9.5mm.
  5. CRIMP WIRE LEADS TO LED LEADS.

UNCONTROLLED DOCUMENT

\*UNLESS OTHERWISE SPECIFIED TOLERANCES PER DECIMAL PRECISION ARE: X=±1 (±0.039), XX=±0.5 (±0.020), XXX=±0.25 (±0.010), XXXX=±0.127 (±0.005). LEAD SIZE=±0.05 (±0.002), LEAD LENGTH=±0.75 (±0.030), MIN= <sup>+DECIMAL PRECISION</sup> / <sub>-0.00</sub> MAX= <sup>+0.00</sup> / <sub>-DECIMAL PRECISION</sub>

REV.	PART NUMBER
D	SSI-LXH9YD-150
T-5mm 585nm YELLOW LED PANEL INDICATOR, YELLOW DIFFUSED LENS, 6" WIRE LEADS.	

**CONFIDENTIAL INFORMATION**  
THE INFORMATION CONTAINED IN THIS DOCUMENT IS THE PROPERTY OF LUMEX INC. EXCEPT AS SPECIFICALLY AUTHORIZED IN WRITING BY LUMEX INC., THE HOLDER OF THIS DOCUMENT SHALL KEEP ALL INFORMATION CONTAINED HEREIN CONFIDENTIAL AND SHALL PROTECT SAME IN WHOLE OR IN PART FROM DISCLOSURE AND DISSEMINATION TO ALL THIRD PARTIES.

**RELIABILITY NOTE**  
OUR MANY YEARS OF EXPERIENCE DATA ACCUMULATION INDICATE THAT SOLDER HEAT IS A MAJOR CAUSE OF EARLY AND FUTURE FAILURE. PLEASE PAY ATTENTION TO YOUR SOLDERING PROCESS.

