



We Tame Photons to Work for You!



Products

Search Tools

Solutions

Literature

Tech Notes

Support

Corporate

Products > LED Indicators > Panel Indicators > Round > Front Insertion > 5mm > Chrome Housing > Protruded LED > 2 Leaded



### Features / Options

- ▶ Bi-Color Styles Optional
- ▶ State-of-the-Art, LED Technology
- ▶ Choice of LED Colors and Lens Finishes
- ▶ Insulated Lead Lengths Optional
- ▶ Easy installation through panel

### Applications / Uses

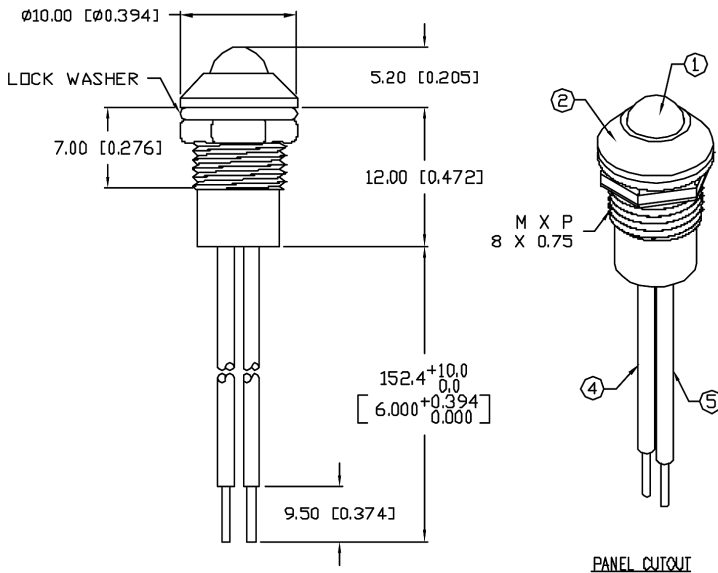
- ▶ Front Panel Status Indicators
- ▶ Alarm/Warning Indicators
- ▶ Front Panel Circuit Fault Indicators
- ▶ Instrument Control Panels
- ▶ Medical Diagnostics Indicators
- ▶ Industrial Automation Control Panels

Part Number:	Brightness	Material	Emitted Color	Wavelength	Intensity	View Angle	Voltage
SSI-LXR3816BID-150	STANDARD	GaASP	Blinking Red	635	6	80	3-15v
SSI-LXR3816GD-150	STANDARD	Gap	Green	565	30	60	2.2
SSI-LXR3816GD5V150	STANDARD	GaP	Green	565	20	60	5.0
SSI-LXR3816GHW-150	STANDARD	GaP	Red/ Green	700/565	10	60	2.2/2.0
SSI-LXR3816ID-150	STANDARD	GaAsP	Red	635	30	60	2.0
SSI-LXR3816ID5V150	STANDARD	GaAsP	Red	635	20	60	5.0
SSI-LXR3816SID-150	HIGH	AlInGaP	Red	636	700	60	2.0
SSI-LXR3816SOD-150	HIGH	AlInGaP	Orange	610	100	60	2.0
SSI-LXR3816SRD-150	HIGH	GaAlAs	Red	660	75	60	1.7
SSI-LXR3816SUGD150	HIGH	AlInGaP	Green	574	50	60	2.2
SSI-LXR3816SYD-150	STANDARD	GaAsP	Yellow	585	20	60	2.1

UNCONTROLLED DOCUMENT

PART NUMBER  
SSI-LXR3816SID-150

REV.



ELECTRO-OPTICAL CHARACTERISTICS  $T_A=25^{\circ}\text{C}$   $I_f=20\text{mA}$

PARAMETER	MIN	TYP	MAX	UNITS	TEST COND
PEAK WAVELENGTH		636		nm	
FORWARD VOLTAGE		2.0	2.5	$V_f$	
REVERSE VOLTAGE	5.0			$V_r$	$I_f=100\mu\text{A}$
AXIAL INTENSITY		700		mcd	$I_f=20\text{mA}$
VIEWING ANGLE		60		2x theta	
EMITTED COLOR:	RED				
EPOXY LENS FINISH:	RED DIFFUSED				

LIMITS OF SAFE OPERATION AT  $25^{\circ}\text{C}$

PARAMETER	MAX	UNITS
PEAK FORWARD CURRENT*	150	mA
STEADY CURRENT	30	mA
POWER DISSIPATION	100	mW
DERATE FROM $25^{\circ}\text{C}$	-1.2	$\text{mW}/^{\circ}\text{C}$
OPERATING, STORAGE TEMP.	-40 TO +85	$^{\circ}\text{C}$

\*  $t < 10\mu\text{s}$

NOTES:

1. SSL-LX5093SID, RED LED. TRIM LEADS TO 4mm.
2. SSI-LXR3816, CHROME HOUSING.
3. SSH-LX4815BSG, BUSHING (NOT SHOWN). INSERT AND CRIMP.
4. ANODE LEAD: LXP-WST24RDT0C, 24 AWG., TINNED OVERCOAT, RED INSULATION. CUT 160mm LONG, STRIP BOTH ENDS 3mm & 9.5mm.
5. CATHODE LEAD: LXP-WST24BLT0C, 24 AWG., TINNED OVERCOAT, BLACK INSULATION. CUT 160mm LONG, STRIP BOTH ENDS 3mm & 9.5mm.
6. CRIMP WIRES TO LED LEADS.

\*UNLESS OTHERWISE SPECIFIED TOLERANCES PER DECIMAL PRECISION ARE: X=±1 (±0.039), XX=±0.5 (±0.020), XXX=±0.25 (±0.010), XXXX=±0.127 (±0.005). LEAD SIZE=±0.05 (±0.002), LEAD LENGTH=±0.75 (±0.030), MIN=+DECIMAL PRECISION -0.00, MAX.=+0.00 -DECIMAL PRECISION

UNCONTROLLED DOCUMENT

REV. PART NUMBER  
SSI-LXR3816SID-150

T-5mm 636nm AlInGaP RED LED PANEL INDICATOR,  
RED DIFFUSED LENS, 6.0" WIRE LEADS.

CONFIDENTIAL INFORMATION  
THE INFORMATION CONTAINED IN THIS DOCUMENT IS THE PROPERTY OF LUMEX INC. EXCEPT AS SPECIFICALLY AUTHORIZED IN WRITING BY LUMEX INC., THE HOLDER OF THIS DOCUMENT SHALL KEEP ALL INFORMATION CONTAINED HEREIN CONFIDENTIAL AND SHALL PROTECT SAME IN WHOLE OR IN PART FROM DISCLOSURE AND DISSEMINATION TO ALL THIRD PARTIES.

RELIABILITY NOTE  
OUR MANY YEARS OF EXPERIENCE DATA ACCUMULATION INDICATE THAT SOLDER HEAT IS A MAJOR CAUSE OF EARLY AND FUTURE FAILURE. PLEASE PAY ATTENTION TO YOUR SOLDERING PROCESS.

