

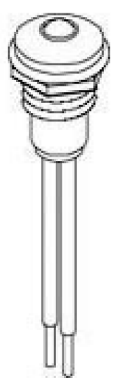


We Tame Photons to Work for You!



- Products
- Search Tools
- Solutions
- Literature
- Tech Notes
- Support
- Corporate

Products > LED Indicators > Panel Indicators > Round > Front Insertion > 3mm > Chrome Housing > Protruding LED



Features / Options

- ▶ Bi-Color Styles Optional
- ▶ State-of-the-Art, LED Technology
- ▶ Choice of LED Colors and Lens Finishes
- ▶ Insulated Lead Lengths Optional
- ▶ Easy installation through panel

Applications / Uses

- ▶ Front Panel Status Indicators
- ▶ Alarm/Warning Indicators
- ▶ Front Panel Circuit Fault Indicators
- ▶ Instrument Control Panels
- ▶ Medical Diagnostics Indicators
- ▶ Industrial Automation Control Panels

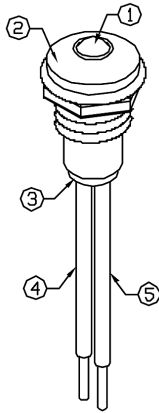
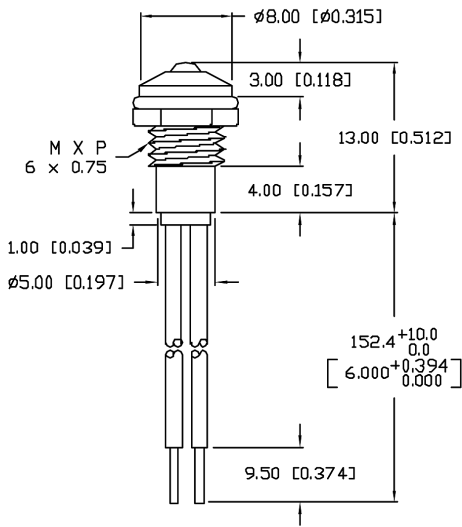
Part Number:	Brightness	Material	Emitted Color	Wavelength	Intensity	View Angle	Voltage
SSI-LXR3612BID-150	STANDARD	GaAsP	Red	635	6	60	3-15V
SSI-LXR3612GD-150	STANDARD	GaP	Green	565	30	60	2.2
SSI-LXR3612GD5V150	STANDARD	GaP	Green	565	15	60	5.0
SSI-LXR3612HGW-150	STANDARD	GaP	Red/ Green	700/565	5/20	60	2.0/2.2
SSI-LXR3612ID-150	STANDARD	GaAsP	Red	635	30	60	2.0
SSI-LXR3612ID5V150	STANDARD	GaAsP	Red	635	10	60	5.0
SSI-LXR3612SID-150	HIGH	AlInGaP	Red	636	100	60	2.1
SSI-LXR3612SOD-150	HIGH	AlInGaP	Orange	610	100	60	2.1
SSI-LXR3612SRD-150	HIGH	GaAlAs	Red	660	65	60	1.8
SSI-LXR3612SUGD150	HIGH	AlInGaP	Green	574	70	60	2.2
SSI-LXR3612SYD-150	HIGH	AlInGaP	Yellow	590	100	60	2.1

SSI-LXR3612USB-D-150		HIGH	InGaN	Blue	470	60	60	3.5
SSI-LXR3612YD-150		STANDARD	GaAsP	Yellow	585	30	60	2.1
SSI-LXR3612YD5V150		STANDARD	GaAsP	Yellow	585	10	60	5.0

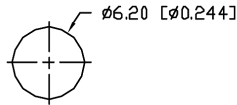
UNCONTROLLED DOCUMENT

PART NUMBER
SSI-LXR3612SYD-150

REV.



PANEL CUTOUT



NOTES:

1. SSL-LX3054SYD, YELLOW LED, TRIM LEADS TO 5mm.
2. SSI-LXR3612 HOLDER, CHROME FINISH.
3. SSH-LXH1612BSC, BUSHING, INSERT AND CRIMP.
4. ANODE LEAD: LXP-WST26RDTC, 26 AWG. STRANDED, RED INSULATION, CUT TO 157mm LONG, STRIP ENDS 2mm AND 9.5mm.
5. CATHODE LEAD: LXP-WST26BLTC, 26 AWG. STRANDED, BLACK INSULATION, CUT TO 157mm LONG, STRIP ENDS 2mm AND 9.5mm.
6. SOLDER LED LEADS TO WIRE LEADS.

ELECTRO-OPTICAL CHARACTERISTICS $T_A=25^{\circ}\text{C}$ $I_f=20\text{mA}$

PARAMETER	MIN	TYP	MAX	UNITS	TEST COND
PEAK WAVELENGTH		590		nm	
FORWARD VOLTAGE		2.1	2.5	V_f	
REVERSE VOLTAGE	5.0			V_r	$I_f=100\mu\text{A}$
AXIAL INTENSITY		100		mcd	$I_f=20\text{mA}$
VIEWING ANGLE		60		2x theta	
EMITTED COLOR:	YELLOW				
EPOXY LENS FINISH:	YELLOW DIFFUSED				

LIMITS OF SAFE OPERATION AT 25°C

PARAMETER	MAX	UNITS
PEAK FORWARD CURRENT*	150	mA
STEADY CURRENT	30	mA
POWER DISSIPATION	105	mW
DERATE FROM 25°C	-1.6	mW/ $^{\circ}\text{C}$
OPERATING, STORAGE TEMP.	-40 TO +85	$^{\circ}\text{C}$

* $t < 10\mu\text{s}$

*UNLESS OTHERWISE SPECIFIED TOLERANCES PER DECIMAL PRECISION ARE: X=±1 (±0.039), XX=±0.5 (±0.020), XXX=±0.25 (±0.010), XXXX=±0.127 (±0.005). LEAD SIZE=±0.05 (±0.002), LEAD LENGTH=±0.75 (±0.030). MIN= +DECIMAL PRECISION -0.00, MAX.= +0.00 -DECIMAL PRECISION

UNCONTROLLED DOCUMENT

REV.

PART NUMBER

SSI-LXR3612SYD-150

T-3mm (T-1) 590nm AlInGaP YELLOW LED PANEL INDICATOR,
YELLOW DIFFUSED LENS, WITH 6" WIRE LEADS.

CONFIDENTIAL INFORMATION
THE INFORMATION CONTAINED IN THIS DOCUMENT IS THE PROPERTY OF LUMEX INC. EXCEPT AS SPECIFICALLY AUTHORIZED IN WRITING BY LUMEX INC., THE HOLDER OF THIS DOCUMENT SHALL KEEP ALL INFORMATION CONTAINED HEREIN CONFIDENTIAL AND SHALL PROTECT SAME IN WHOLE OR IN PART FROM DISCLOSURE AND DISSEMINATION TO ALL THIRD PARTIES.

RELIABILITY NOTE
OUR MANY YEARS OF EXPERIENCE DATA ACCUMULATION INDICATE THAT SOLDER HEAT IS A MAJOR CAUSE OF EARLY AND FUTURE FAILURE. PLEASE PAY ATTENTION TO YOUR SOLDERING PROCESS.

