



We Tame Photons to Work for You!



Products Search Tools Solutions Literature Tech Notes Support Corporate

Products > LED Indicators > Panel Indicators > Round > Front Insertion > 5mm > Plastic Housing > Protruded LED > Long Body > 0.250" Panel Cutout

### Features / Options



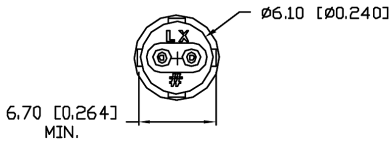
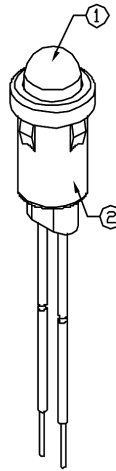
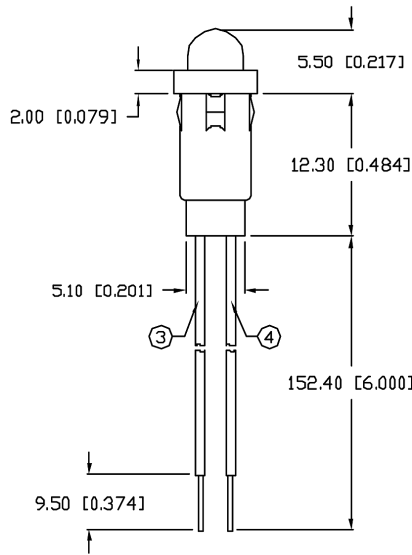
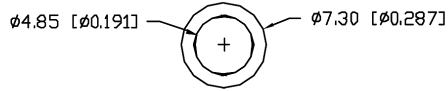
- ▶ Bi-Color Styles Optional
- ▶ State-of-the-Art, LED Technology
- ▶ Choice of LED Colors and Lens Finishes
- ▶ Insulated Lead Lengths Optional
- ▶ Easy installation through panel

### Applications / Uses

- ▶ Front Panel Status Indicators
- ▶ Alarm/Warning Indicators
- ▶ Front Panel Circuit Fault Indicators
- ▶ Instrument Control Panels
- ▶ Medical Diagnostics Indicators
- ▶ Industrial Automation Control Panels

Part Number:	Brightness	Material	Emitted Color	Wavelength	Intensity	View Angle	Voltage
SSI-LXH600BID-150	STANDARD	GaAsP	Blinking Red	635	20	60	9.0-12.0
SSI-LXH600GD-150	STANDARD	GaP	Green	565	30	60	2.2
SSI-LXH600HGW-150	STANDARD	GaP	Red/ Green	700/565	6/25	60	2.0/2.2
SSI-LXH600ID-150	STANDARD	GaAsP	Red	635	40	60	2.0
SSI-LXH600SID-150	HIGH	AlInGaP	Red	636	100	60	2.0
SSI-LXH600SOD-150	HIGH	AlInGaP	Orange	610	100	60	2.0
SSI-LXH600SRD-150	STANDARD	GaAlAs	Red	660	100	60	1.7
SSI-LXH600SUGD-150	HIGH	AlInGaP	Green	574	50	60	2.2
SSI-LXH600SYD-150	HIGH	AlInGaP	Yellow	590	100	60	2.0
SSI-LXH600USBD-150	HIGH	InGaN	Blue	470	60	60	3.5
SSI-LXH600YD-150	STANDARD	GaAsP	Yellow	585	30	60	2.1

UNCONTROLLED DOCUMENT



PANEL HOLE: 0.250"  
PANEL THICKNESS: 0.030" MIN.

\*UNLESS OTHERWISE SPECIFIED TOLERANCES PER DECIMAL PRECISION ARE: X=±1 (±0.039), XX=±0.5 (±0.020), XXX=±0.25 (±0.010), XXXX=±0.127 (±0.005). LEAD SIZE=±0.05 (±0.002), LEAD LENGTH=±0.75 (±0.030), MIN.=<sup>+0.00</sup><sub>-0.00</sub> DECIMAL PRECISION MAX.=<sup>+0.00</sup><sub>-0.00</sub> DECIMAL PRECISION

PART NUMBER  
SSI-LXH600ID-150

REV.  
E

REV.	E.C.N. NUMBER AND REVISION COMMENTS	DATE
A	REVISED DIMMS.	8.22.94
B	E.C.N. #10109.	12.20.95
C	E.C.N. #10354.	6.16.97
D	E.C.N. #10BRDR. & REDRAWN.	2.5.99
E	E.C.N. #10BRDR. & REDRAWN.	7.25.01

ELECTRO-OPTICAL CHARACTERISTICS T<sub>A</sub>=25°C I<sub>f</sub>=20mA

PARAMETER	MIN	TYP	MAX	UNITS	TEST COND
PEAK WAVELENGTH		635		nm	
FORWARD VOLTAGE		2.0	2.5	V <sub>f</sub>	
REVERSE VOLTAGE	5.0			V <sub>r</sub>	I <sub>f</sub> =100μA
AXIAL INTENSITY		40		mcad	I <sub>f</sub> =20mA
VIEWING ANGLE		60		2x theta	
EMITTED COLOR:	RED				
EPOXY LENS FINISH:	RED DIFFUSED				

LIMITS OF SAFE OPERATION AT 25°C

PARAMETER	MAX	UNITS
PEAK FORWARD CURRENT*	150	mA
STEADY CURRENT	30	mA
POWER DISSIPATION	105	mW
DERATE FROM 25°C	-1.2	mW/°C
OPERATING, STORAGE TEMP.	-40 TO +85	°C
SOLDERING TEMP.	+260	°C
2.0mm FROM BODY		3 SEC. MAX

\* t < 10μs

NOTES:

- SSL-LX509F310 LED.
- SSH-LXH600 HOLDER, BLACK.
- ANODE LEAD: LXP-WST24RDT0C, 24 AWG STRANDED, TOP OVERCOAT, RED INSULATION, CUT 160mm LONG, STRIP 4mm & 9.5mm.
- CATHODE LEAD: LXP-WST24BLT0C, 24 AWG STRANDED, TOP OVERCOAT, BLACK INSULATION, CUT 160mm LONG, STRIP 4mm & 9.5mm.

UNCONTROLLED DOCUMENT

REV. PART NUMBER  
E SSI-LXH600ID-150

T-5mm (T-1 3/4) LED, PANEL MOUNT INDICATOR,  
635nm RED LED, RED DIFFUSED LENS.  
WITH 6" WIRE LEADS.

CONFIDENTIAL INFORMATION  
THE INFORMATION CONTAINED IN THIS DOCUMENT IS THE PROPERTY OF LUMEX INC. EXCEPT AS SPECIFICALLY AUTHORIZED IN WRITING BY LUMEX INC., THE HOLDER OF THIS DOCUMENT SHALL KEEP ALL INFORMATION CONTAINED HEREIN CONFIDENTIAL AND SHALL PROTECT SAME IN WHOLE OR IN PART FROM DISCLOSURE AND DISSEMINATION TO ALL THIRD PARTIES.

RELIABILITY NOTE  
OUR MANY YEARS OF EXPERIENCE DATA ACCUMULATION INDICATE THAT SOLDER HEAT IS A MAJOR CAUSE OF EARLY AND FUTURE FAILURE. PLEASE PAY ATTENTION TO YOUR SOLDERING PROCESS.

