



We Tame Photons to Work for You!



Products

Search Tools

Solutions

Literature

Tech Notes

Support

Corporate

Products > LED Indicators > Panel Indicators > Round > Front Insertion > 5mm > Plastic Housing > Protruded LED > Short Body



### Features / Options

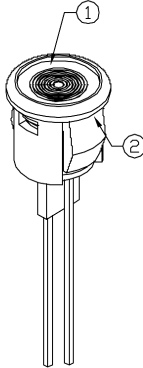
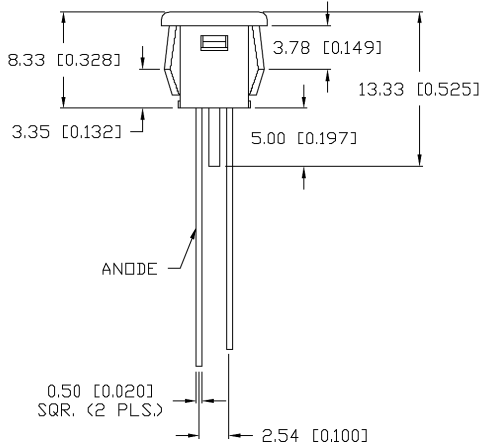
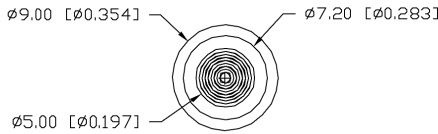
- ▶ State-of-the-Art, LED Technology
- ▶ Choice of LED Colors and Lens Finishes
- ▶ Insulated Lead Lengths Optional
- ▶ Easy installation through panel

### Applications / Uses

- ▶ Front Panel Status Indicators
- ▶ Alarm/Warning Indicators
- ▶ Front Panel Circuit Fault Indicators
- ▶ Instrument Control Panels
- ▶ Medical Diagnostics Indicators
- ▶ Industrial Automation Control Panels

Part Number:	Brightness	Material	Emitted Color	Wavelength	Intensity	View Angle	Voltage
SSI-LXH387BID-4	STANDARD	GaAsP	Blinking Red	635	10	120	3.0
SSI-LXH387GD-4	STANDARD	GaP	Green	565	30	60	2.2
SSI-LXH387HGW-4	STANDARD	GaP	Red/ Green	700/565	5	60	2.0/2.2
SSI-LXH387ID-4	STANDARD	GaAsP	Unable to look up Color	635	40	60	2.0
SSI-LXH387SID-4	HIGH	AlInGaP	Red	636	700	60	2.0
SSI-LXH387SOD-4	HIGH	AlInGaP	Orange	610	850	60	2.0
SSI-LXH387SRD-4	HIGH	GaAIAs	Red	660	250	60	1.7
SSI-LXH387SUGD-4	HIGH	AlInGaP	Green	574	170	60	2.2
SSI-LXH387SYD-4	HIGH	AlInGaP	Yellow	590	300	60	2.0
SSI-LXH387USBID-4	HIGH	InGaN	Blue	470	300	60	3.5
SSI-LXH387YD-4	STANDARD	GaAsP	Yellow	585	30	60	2.1

UNCONTROLLED DOCUMENT



PART NUMBER		REV.
SSI-LXH387GD		A
REV.	E.C.N. NUMBER AND REVISION COMMENTS	DATE
A	E.C.N. #10BRDR. & REDRAWN.	8.2.01

ELECTRO-OPTICAL CHARACTERISTICS  $T_A=25^\circ\text{C}$   $I_f=20\text{mA}$

PARAMETER	MIN	TYP	MAX	UNITS	TEST COND
PEAK WAVELENGTH		565		nm	
FORWARD VOLTAGE		2.2	2.6	V <sub>f</sub>	
REVERSE VOLTAGE	5.0			V <sub>r</sub>	I <sub>r</sub> =100μA
AXIAL INTENSITY		10		mcd	I <sub>f</sub> =20mA
VIEWING ANGLE		120		2x theta	
EMITTED COLOR:	GREEN				
EPOXY LENS FINISH:	GREEN DIFFUSED				

LIMITS OF SAFE OPERATION AT 25°C

PARAMETER	MAX	UNITS
PEAK FORWARD CURRENT*	150	mA
STEADY CURRENT	25	mA
POWER DISSIPATION	110	mW
DERATE FROM 25°C	-1.2	mW/°C
OPERATING, STORAGE TEMP.	-40 TO +85	°C
SOLDERING TEMP.	+260	°C
2.0mm FROM BODY		3 SEC. MAX

\* t<10μs

- NOTES:
1. SSL-LX433GD LED.
  2. HOLDER: LXP-SSI-387BSH, LXP-SSI-387BZL.
  3. PANEL HOLE CUT OUT: 5/16" DIAMETER.

\*UNLESS OTHERWISE SPECIFIED TOLERANCES PER DECIMAL PRECISION ARE: X=±1 (±0.039), X.X=±0.5 (±0.020), X.XX=±0.25 (±0.010), X.XXX=±0.127 (±0.005). LEAD SIZE=±0.05 (±0.002), LEAD LENGTH=±0.75 (±0.030). MIN=+DECIMAL PRECISION MAX.=+0.00 -DECIMAL PRECISION -0.00

UNCONTROLLED DOCUMENT

REV.	PART NUMBER
A	SSI-LXH387GD
T-5 FRESNEL LENS PANEL MOUNT INDICATOR, 565nm GREEN LED, GREEN DIFFUSED LENS.	

**CONFIDENTIAL INFORMATION**  
 THE INFORMATION CONTAINED IN THIS DOCUMENT IS THE PROPERTY OF LUMEX INC. EXCEPT AS SPECIFICALLY AUTHORIZED IN WRITING BY LUMEX INC., THE HOLDER OF THIS DOCUMENT SHALL KEEP ALL INFORMATION CONTAINED HEREIN CONFIDENTIAL AND SHALL PROTECT SAME IN WHOLE OR IN PART FROM DISCLOSURE AND DISSEMINATION TO ALL THIRD PARTIES.

**RELIABILITY NOTE**  
 OUR MANY YEARS OF EXPERIENCE DATA ACCUMULATION INDICATE THAT SOLDER HEAT IS A MAJOR CAUSE OF EARLY AND FUTURE FAILURE. PLEASE PAY ATTENTION TO YOUR SOLDERING PROCESS.

