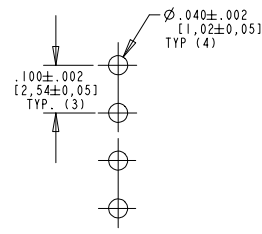
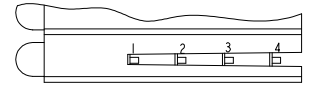
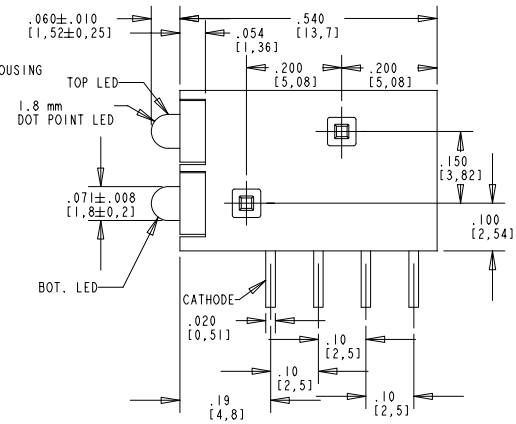
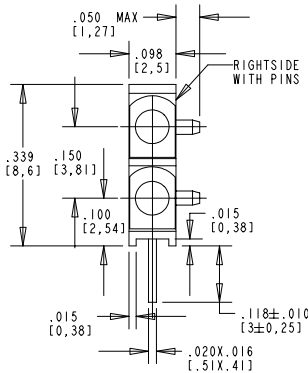
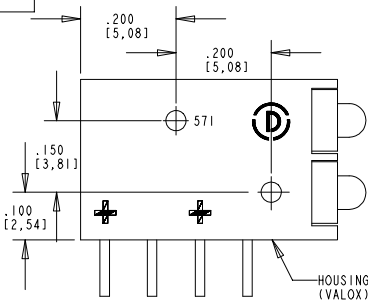


REV.	ECN NO.	REVISIONS	DRN.	CKD.	APP.	DATE
A		NEW RELEASE	D.C.	N.O.	N.O.	9-18-97
B		ADDED P/N 571-0102-100 AND NOTE 3. REDAWN ONTO PRO-E	D.C.	Y.C.	N.O.	10-28-98
C		ADDED P/N 571-0113-100 TO DRAWING.	D.C.	Y.C.	N.O.	4-5-99
D		ADDED P/N 571-0123-100	TC	D.C.	N.O.	3-30-00
E		CHANGED LED SPEC. REDUCED TO SHEET B SIZE.		YIS		

ASSY. NO.	LED COLOR (DIFFUSED)	
	TOP POSITION	BOTTOM POSITION
571-0111-100	RED	RED
571-0102-100	BLANK	GREEN
571-0112-100	RED	GREEN
571-0113-100	RED	YELLOW
571-0122-100	GREEN	GREEN
571-0123-100	GREEN	YELLOW
571-0132-100	YELLOW	GREEN
571-0133-100	YELLOW	YELLOW

NOTES:

- LED LEAD DIMENSIONS ARE MEASURED AT HOUSING EXIT.
- PIN NUMBERS FOR REFERENCE ONLY. DESIGNATION NON-EXISTENT ON PARTS.
- PART NO. 571-01XX-100 WITH PINS (SEE CHART).



RECOMMENDED P.C.B. HOLE PATTERN

OPERATING CHARACTERISTICS AT 25°C AMBIENT

CHARACTERISTICS	COLOR	MIN	TYP	MAX	UNITS	TEST CONDITIONS
LUMINOUS INTENSITY	RED	8	15		mcd	I _f = 10 mA
	YELLOW	5	8			
	GREEN	5	10			
FORWARD VOLTAGE	RED		2.0	2.5	V	I _f = 20 mA
	YELLOW		2.1	2.5		
	GREEN		2.2	2.5		
DOMINANT WAVELENGTH	RED		625		nm	
	YELLOW		588			
	GREEN		568			
PEAK EMISSION WAVELENGTH	RED		627		nm	
	YELLOW		590			
	GREEN		565			
VIEWING ANGLE 2θ _{1/2}	RED		70		Degree	
	YELLOW		70			
	GREEN		70			
CAPACITANCE	RED		15		pF	V _f = 0 V, f = 1 MHz
	YELLOW		20			
	GREEN		15			

ABSOLUTE MAXIMUM RATING AT 25°C AMBIENT				
POWER DISSIPATION	105	105	105	mW
FORWARD CURRENT	30	30	25	mA
DERATING LINEAR FROM 25 °C		.40	.33	mA/°C
REVERSE VOLTAGE		5		V
LEAD SOLDERING TEMPERATURE, 5 SEC., 1/16" FROM BODY		260		°C
OPERATING TEMPERATURE		-40 TO +85		°C
STORAGE TEMPERATURE		-40 TO +85		°C

THIS DRAWING AND THE CONTENTS HEREIN ARE CONFIDENTIAL AND THE SOLE PROPERTY OF DIALIGHT. REPRODUCTION OF THIS DRAWING OR CONSTRUCTION OF ANY PARTS WITHIN THIS DRAWING ARE FORBIDDEN WITHOUT THE WRITTEN CONSENT OF DIALIGHT.		
SCALE: DO NOT SCALE	DRAWING NUMBER	REV
ALL DIM'S IN: INCHES (MM)	C-16279	E
TOLERANCES: UNLESS OTHERWISE SPECIFIED	TITLE 1.8mm LED BI-LEVEL CBI	
FRACTIONS: ±1/64	MATERIAL	
DECIMALS (.XX): ±.02	Dialight	
DECIMALS (.XXX): ±.015	1501 ROUTE 34 SOUTH	
DECIMALS (.XXXX): ±.0005	FARMINGDALE, NJ 07727	
ANGLES: ±.5°	FSCM 83330	
FINISH:	SHEET	FAMILY TABLE:
	OF	