

Products > LED Indicators > PCB Indicators > Assembled Housing > Round > 5mm > 2 Leaded > Single Level > 0.118" From PCB > Cut Off Holder > Long Protrusion

Features / Options

Applications / Uses

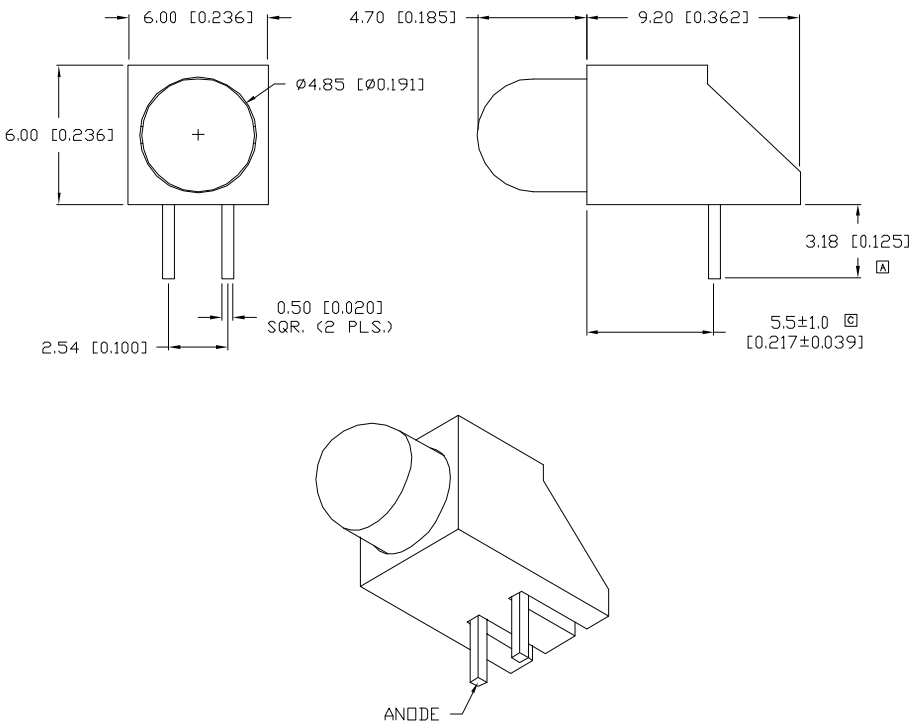


- ▶ Vertical Positioning
- ▶ Multi-Unit Construction
- ▶ Polarity Orientation Holder
- ▶ Choice of Colors and Lenses

- ▶ Board Level Status Indicators
- ▶ Board Level Fault Indicators
- ▶ Warning/Alarm Signaling
- ▶ Circuit Fault Finder Indicators

Part Number:	SPEC	Brightness	Material	Emitted Color	Wavelength	Intensity	View Angle	Voltage
SSF-LXH100GD-01		STANDARD	GaP	Green	565	30	60	2.1
SSF-LXH100ID-01		STANDARD	GaAsP	Red	635	40	60	2.1
SSF-LXH100SID-01		HIGH	AlInGaP	Red	636	150	60	2.0
SSF-LXH100SOD-01		HIGH	AlInGaP	Orange	610	150	60	2.0
SSF-LXH100SRD-01		HIGH	GaAlAs	Red	660	60	60	1.8
SSF-LXH100SUGD-01		HIGH	AlInGaP	Green	574	80	60	2.2
SSF-LXH100SYD-01		HIGH	AlInGaP	Yellow	590	150	60	2.1
SSF-LXH100USB-01		HIGH	InGaN	Blue	470	40	60	3.5
SSF-LXH100YD-01		STANDARD	GaAsP	Yellow	585	30	60	2.1

UNCONTROLLED DOCUMENT



PART NUMBER		REV.
SSF-LXH100GD-01		D
REV.	E.C.N. NUMBER AND REVISION COMMENTS	DATE
A	CHG'D LEAD LENGTH.	10.2.93
B	UPDATED SPECS.	7.28.95
C	E.C.N. #10301.	1.30.97
D	E.C.N. #10BRDR. & REDRAWN IN 3D.	5.14.02

ELECTRO-OPTICAL CHARACTERISTICS $T_A=25^\circ\text{C}$ $I_f=20\text{mA}$

PARAMETER	MIN	TYP	MAX	UNITS	TEST COND
PEAK WAVELENGTH		565		nm	
FORWARD VOLTAGE		2.2	2.6	V_f	
REVERSE VOLTAGE	5.0			V_r	$I_f=100\mu\text{A}$
AXIAL INTENSITY		30		mcd	$I_f=20\text{mA}$
VIEWING ANGLE		60		2x theta	
EMITTED COLOR:	GREEN				
EPOXY LENS FINISH:	GREEN DIFFUSED				

LIMITS OF SAFE OPERATION AT 25°C

PARAMETER	MAX	UNITS
PEAK FORWARD CURRENT*	150	mA
STEADY CURRENT	25	mA
POWER DISSIPATION	105	mW
DERATE FROM 25°C	-1.2	mW/°C
OPERATING, STORAGE TEMP.	-40 TO +85	°C
SOLDERING TEMP.	+260	°C
2.0mm FROM BODY		3 SEC. MAX

* $t < 10\mu\text{s}$

NOTES:

- SSL-LX509F3GD, GREEN LED.
- SSH-LXH100, BLACK HOLDER.

UNCONTROLLED DOCUMENT

*UNLESS OTHERWISE SPECIFIED TOLERANCES PER DECIMAL PRECISION ARE: X=±1 (±0.039), X.X=±0.5 (±0.020), X.XX=±0.25 (±0.010), X.XXX=±0.127 (±0.005). LEAD SIZE=±0.05 (±0.002), LEAD LENGTH=±0.75 (±0.030), MIN=+DECIMAL PRECISION MAX=-0.00 -DECIMAL PRECISION

REV. D	PART NUMBER SSF-LXH100GD-01	<p>CONFIDENTIAL INFORMATION</p> <p>THE INFORMATION CONTAINED IN THIS DOCUMENT IS THE PROPERTY OF LUMEX INC. EXCEPT AS SPECIFICALLY AUTHORIZED IN WRITING BY LUMEX INC., THE HOLDER OF THIS DOCUMENT SHALL KEEP ALL INFORMATION CONTAINED HEREIN CONFIDENTIAL AND SHALL PROTECT SAME IN WHOLE OR IN PART FROM DISCLOSURE AND DISSEMINATION TO ALL THIRD PARTIES.</p> <p>RELIABILITY NOTE</p> <p>OUR MANY YEARS OF EXPERIENCE DATA ACCUMULATION INDICATE THAT SOLDER HEAT IS A MAJOR CAUSE OF EARLY AND FUTURE FAILURE. PLEASE PAY ATTENTION TO YOUR SOLDERING PROCESS.</p>	
T-5mm (T-1 3/4) LED, RIGHT ANGLE FAULT INDICATOR, 565nm GREEN LED, GREEN DIFFUSED LENS.		DRAWN BY: BC CHECKED BY: APPROVED BY:	DATE: 7.16.93 PAGE: 1 OF 1 SCALE: N/A