



We Tame Photons to Work for You!



Products > LED Indicators > PCB Indicators > Assembled Housing > Round > 5mm > 2 Leaded > Single Level > 0.118" From PCB > Cut Off Holder > Standard

### Features / Options

### Applications / Uses



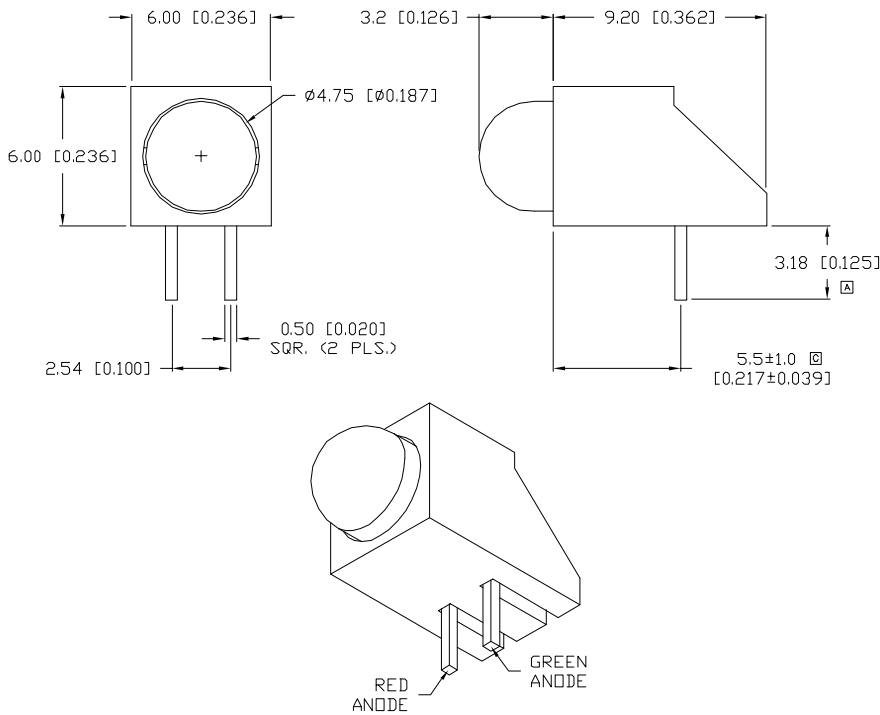
- ▶ Vertical Positioning
- ▶ Multi-Unit Construction
- ▶ Polarity Orientation Holder
- ▶ Choice of Colors and Lenses

- ▶ Board Level Status Indicators
- ▶ Board Level Fault Indicators
- ▶ Warning/Alarm Signaling
- ▶ Circuit Fault Finder Indicators

| Part Number:   | Brightness | Material | Emitted Color | Wavelength | Intensity | View Angle | Voltage |  |   |
|----------------|------------|----------|---------------|------------|-----------|------------|---------|--|---|
| SSF-LXH100GD   | STANDARD   | GaP      | Green         | 565        | 30        | 60         | 2.2     |  | — |
| SSF-LXH100HGW  | STANDARD   | GaP      | Red/Green     | 700/565    | 6/20      | 60         | 2.0/2.2 |  | — |
| SSF-LXH100ID   | STANDARD   | GaAsP    | Red           | 635        | 40        | 60         | 2.0     |  | — |
| SSF-LXH100LGD  | STANDARD   | GaP      | Green         | 565        | 30        | 60         | 1.8     |  | — |
| SSF-LXH100LID  | STANDARD   | GaAsP    | Red           | 635        | 40        | 60         | 2.0     |  | — |
| SSF-LXH100LYD  | STANDARD   | GaAsP    | Yellow        | 585        | 30        | 60         | 2.1     |  | — |
| SSF-LXH100SID  | HIGH       | AlInGaP  | Red           | 636        | 150       | 60         | 2.0     |  | — |
| SSF-LXH100SOD  | HIGH       | AlInGaP  | Orange        | 610        | 150       | 60         | 2.0     |  | — |
| SSF-LXH100SRD  | HIGH       | GaAlAs   | Red           | 660        | 60        | 60         | 1.8     |  | — |
| SSF-LXH100SUGD | HIGH       | AlInGaP  | Green         | 574        | 80        | 60         | 2.2     |  | — |
| SSF-LXH100SYD  | HIGH       | AlInGaP  | Yellow        | 590        | 150       | 60         | 2.0     |  | — |

UNCONTROLLED DOCUMENT

|               |                                     |          |
|---------------|-------------------------------------|----------|
| PART NUMBER   |                                     | REV.     |
| SSF-LXH100HGW |                                     | D        |
| REV.          | E.C.N. NUMBER AND REVISION COMMENTS | DATE     |
| A             | CHG'D LEAD LENGTHS.                 | 10.2.93  |
| B             | UPDATED SPECS.                      | 10.11.94 |
| C             | E.C.N. #10301.                      | 1.30.97  |
| D             | E.C.N. #10BRDR. & REDRAWN IN 3D.    | 5.14.02  |



ELECTRO-OPTICAL CHARACTERISTICS  $T_A=25^\circ\text{C}$   $I_f=20\text{mA}$

| PARAMETER             | MIN                  | TYP         | MAX     | UNITS          | TEST COND            |
|-----------------------|----------------------|-------------|---------|----------------|----------------------|
| PEAK WAVELENGTH       |                      | 700 (RED)   |         | nm             |                      |
|                       |                      | 565 (GREEN) |         | nm             |                      |
| FORWARD VOLTAGE (R/G) |                      | 2.0/2.2     | 2.5/2.6 | V <sub>f</sub> |                      |
| REVERSE VOLTAGE       | 5.0                  |             |         | V <sub>r</sub> | $I_f=100\mu\text{A}$ |
| AXIAL INTENSITY (R/G) |                      | 6/20        |         | mcd            | $I_f=20\text{mA}$    |
| VIEWING ANGLE         |                      | 60          |         | 2x theta       |                      |
| EMITTED COLOR:        | RED/GREEN            |             |         |                |                      |
| EPOXY LENS FINISH:    | MILKY WHITE DIFFUSED |             |         |                |                      |

LIMITS OF SAFE OPERATION AT 25°C

| PARAMETER                | COLORS | MAX        | UNITS      |
|--------------------------|--------|------------|------------|
| PEAK FORWARD CURRENT*    |        | 150        | mA         |
| STEADY CURRENT           |        | 25         | mA         |
| POWER DISSIPATION        | (R/G)  | 120/105    | mW         |
| DERATE FROM 25°C         |        | -1.2       | mW/°C      |
| OPERATING, STORAGE TEMP. |        | -40 TO +85 | °C         |
| SOLDERING TEMP.          |        | +260       | °C         |
| 2.0mm FROM BODY          |        |            | 3 SEC. MAX |

\*  $t < 10\mu\text{s}$

NOTES:

- SSL-LX507F3HGW, RED/GREEN LED.
- SSH-LXH100, BLACK HOLDER.

UNCONTROLLED DOCUMENT

\*UNLESS OTHERWISE SPECIFIED TOLERANCES PER DECIMAL PRECISION ARE: X=±1 (±0.039), X.X=±0.5 (±0.020), X.XX=±0.25 (±0.010), X.XXX=±0.127 (±0.005). LEAD SIZE=±0.05 (±0.002), LEAD LENGTH=±0.75 (±0.030), MIN.=+DECIMAL PRECISION -0.00, MAX.=+0.00 -DECIMAL PRECISION

|      |               |
|------|---------------|
| REV. | PART NUMBER   |
| D    | SSF-LXH100HGW |

CONFIDENTIAL INFORMATION  
 THE INFORMATION CONTAINED IN THIS DOCUMENT IS THE PROPERTY OF LUMEX INC. EXCEPT AS SPECIFICALLY AUTHORIZED IN WRITING BY LUMEX INC., THE HOLDER OF THIS DOCUMENT SHALL KEEP ALL INFORMATION CONTAINED HEREIN CONFIDENTIAL AND SHALL PROTECT SAME IN WHOLE OR IN PART FROM DISCLOSURE AND DISSEMINATION TO ALL THIRD PARTIES.



T-5mm (T-1 3/4) LED, RIGHT ANGLE FAULT INDICATOR, RED/GREEN BICOLOR LED, MILKY WHITE DIFFUSED LENS.

RELIABILITY NOTE  
 OUR MANY YEARS OF EXPERIENCE DATA ACCUMULATION INDICATE THAT SOLDER HEAT IS A MAJOR CAUSE OF EARLY AND FUTURE FAILURE. PLEASE PAY ATTENTION TO YOUR SOLDERING PROCESS.

|           |             |              |              |
|-----------|-------------|--------------|--------------|
| DRAWN BY: | CHECKED BY: | APPROVED BY: | DATE:        |
| BC        |             |              | 7.15.93      |
|           |             |              | PAGE: 1 OF 1 |
|           |             |              | SCALE: N/A   |