

Products > LED Indicators > PCB Indicators > Assembled Housing > Round > 5mm > 2 Leaded > Single Level > 0.118" From PCB > Cut Off Holder > Standard

Features / Options



- ▶ Vertical Positioning
- ▶ Multi-Unit Construction
- ▶ Polarity Orientation Holder
- ▶ Choice of Colors and Lenses

Applications / Uses

- ▶ Board Level Status Indicators
- ▶ Board Level Fault Indicators
- ▶ Warning/Alarm Signaling
- ▶ Circuit Fault Finder Indicators

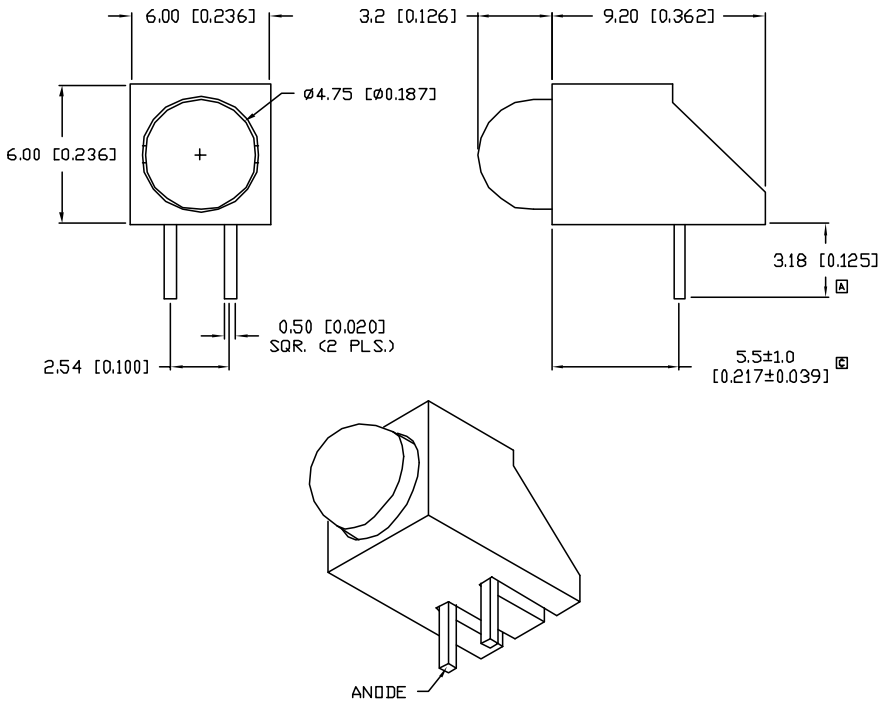
Part Number:	Brightness	Material	Emitted Color	Wavelength	Intensity	View Angle	Voltage
SSF-LXH100GD	STANDARD	GaP	Green	565	30	60	2.2
SSF-LXH100HGW	STANDARD	GaP	Red/ Green	700/565	6/20	60	2.0/2.2
SSF-LXH100ID	STANDARD	GaAsP	Red	635	40	60	2.0
SSF-LXH100LGD	STANDARD	GaP	Green	565	30	60	1.8
SSF-LXH100LID	STANDARD	GaAsP	Red	635	40	60	2.0
SSF-LXH100LYD	STANDARD	GaAsP	Yellow	585	30	60	2.1
SSF-LXH100SID	HIGH	AllnGaP	Red	636	150	60	2.0
SSF-LXH100SOD	HIGH	AllnGaP	Orange	610	150	60	2.0
SSF-LXH100SRD	HIGH	GaAlAs	Red	660	60	60	1.8
SSF-LXH100SUGD	HIGH	AllnGaP	Green	574	80	60	2.2

UNCONTROLLED DOCUMENT

PART NUMBER
SSF-LXH100ID

REV.
E

REV.	E.C.N. NUMBER AND REVISION COMMENTS	DATE
A	CHG'D LEAD LENGTH.	10.2.93
B	UPDATED SPECS.	7.28.95
C	E.C.N. #10301.	1.30.97
D	E.C.N. #10BRDR. & REDRAWN IN 3D.	5.14.02
E	E.C.N. #11148.	1.5.05



ELECTRO-OPTICAL CHARACTERISTICS $T_A=25^\circ\text{C}$ $I_f=20\text{mA}$

PARAMETER	MIN	TYP	MAX	UNITS	TEST COND
PEAK WAVELENGTH		635		nm	
FORWARD VOLTAGE		2.0	2.5	V_f	
REVERSE VOLTAGE	5.0			V_r	$I_f=100\mu\text{A}$
AXIAL INTENSITY		40		mcd	$I_f=20\text{mA}$
VIEWING ANGLE		60		2x theta	
EMITTED COLOR:	RED				
EPOXY LENS FINISH:	RED DIFFUSED				

LIMITS OF SAFE OPERATION AT 25°C

PARAMETER	MAX	UNITS
PEAK FORWARD CURRENT*	150	mA
STEADY CURRENT	30	mA
POWER DISSIPATION	105	mW
DERATE FROM 25°C	-1.2	mW/ $^\circ\text{C}$
OPERATING, STORAGE TEMP.	-40 TO +85	$^\circ\text{C}$
SOLDERING TEMP.	+260	$^\circ\text{C}$
2.0mm FROM BODY		3 SEC. MAX

* $t < 10\mu\text{s}$

NOTES:

- SSL-LX507F3ID, RED LED.
- SSH-LXH100, BLACK HOLDER.



UNCONTROLLED DOCUMENT

*UNLESS OTHERWISE SPECIFIED TOLERANCES PER DECIMAL PRECISION ARE: X=±1 (±0.039), XX=±0.5 (±0.020), XXX=±0.25 (±0.010), XXXX=±0.127 (±0.005). LEAD SIZE=±0.05 (±0.002), LEAD LENGTH=±0.75 (±0.030). MIN.=DECIMAL PRECISION MAX.=DECIMAL PRECISION

REV. E	PART NUMBER SSF-LXH100ID	<p>CONFIDENTIAL INFORMATION</p> <p>THE INFORMATION CONTAINED IN THIS DOCUMENT IS THE PROPERTY OF LUMEX INC. EXCEPT AS SPECIFICALLY AUTHORIZED IN WRITING BY LUMEX INC., THE HOLDER OF THIS DOCUMENT SHALL KEEP ALL INFORMATION CONTAINED HEREIN CONFIDENTIAL AND SHALL PROTECT SAME IN WHOLE OR IN PART FROM DISCLOSURE AND DISSEMINATION TO ALL THIRD PARTIES.</p> <p>RELIABILITY NOTE</p> <p>OUR MANY YEARS OF EXPERIENCE DATA ACCUMULATION INDICATE THAT SOLDER HEAT IS A MAJOR CAUSE OF EARLY AND FUTURE FAILURE. PLEASE PAY ATTENTION TO YOUR SOLDERING PROCESS.</p>	
T-5mm (T-1 3/4) LED, RIGHT ANGLE FAULT INDICATOR, 635nm RED LED, RED DIFFUSED LENS.		<p>DRAWN BY: BC</p>	<p>CHECKED BY:</p>
		<p>APPROVED BY:</p>	<p>DATE: 7.16.93 PAGE: 1 OF 1 SCALE: N/A</p>