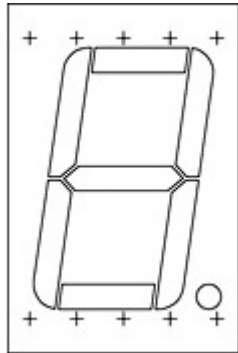




We Tame Photons to Work for You!



Products > LED Displays > Thru-Hole > Numeric > Single Digit > Standard > .56" > Standard > 8mm x 19mm



Features / Options

- ▶ Standard and high brightness chips
- ▶ Intensity grading available
- ▶ Custom Sizes at minimal tooling
- ▶ Face and segment off colors in grey and milky white
- ▶ Standard and High Brightness Chips
- ▶ Intensity Grading Available
- ▶ Custom Sizes Available
- ▶ Face and segment off colors in gray and milky white

Applications / Uses

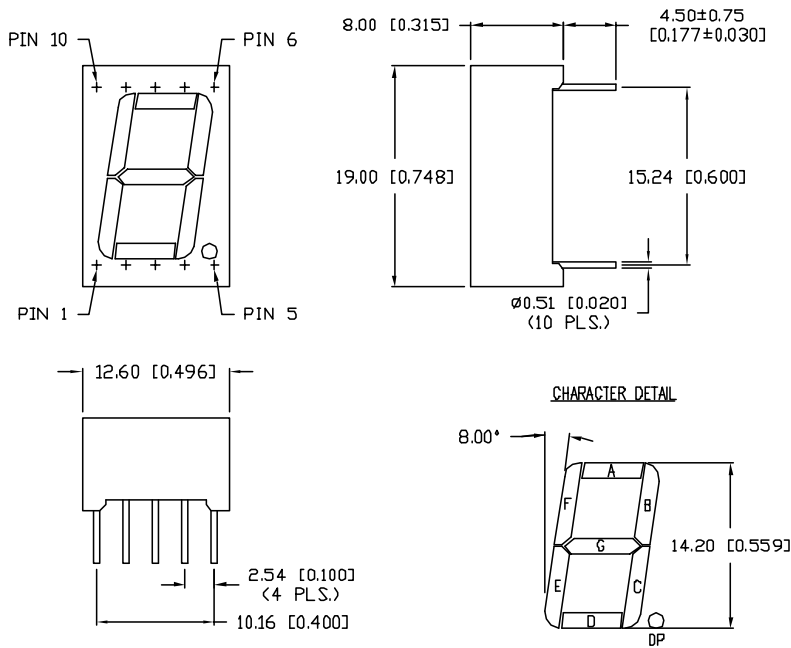
- ▶ Test Instruments
- ▶ Diagnostic equipment
- ▶ Instrument and control panels
- ▶ Monitoring displays

Part Number:	Wavelength	Intensity mcd @ 10mA	Color	Common Pin	Face	Segment		
LDS-A512RI	565	2250	Green	(+)	Grey	White		—
LDS-A512RI-SUG	574	7000	Green	(+)	Grey	White		—
LDS-A514RI	635	3900	Red	(+)	Grey	White		—
LDS-A514RI	635	2500	Red	(+)	Grey	White		—
LDS-A514RI-SI	636	15000	Red	(+)	Grey	White		—
LDS-A516RI	660	12000	Red	(+)	Grey	White		—
LDS-A516RI	660	8000	Red	(+)	Grey	White		—
LDS-A517RI-USB	470	6000	Blue	(+)	Grey	White		—
LDS-C512RI	565	2500	Green	(-)	Grey	White		—
LDS-C512RI-SUG	574	7000	Green	(-)	Grey	White		—

LDS-C514RI		635	2500	Red	(-)	Grey	White		—
LDS-C514RI-SI		636	15000	Red	(-)	Grey	White		—
LDS-C516RI		660	8000	Red	(-)	Grey	White		—
LDS-C517RI-USB		470	6000	Blue	(-)	Grey	White		—

UNCONTROLLED DOCUMENT

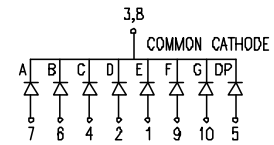
PART NUMBER LDS-C512RI		REV. A
REV. A	E.C.N. NUMBER AND REVISION COMMENTS E.C.N. #10BRDR. & REDRAWN.	DATE 12-6-99



PARAMETER	MIN	TYP	MAX	UNITS	TEST COND
PEAK WAVELENGTH		565		nm	
FORWARD VOLTAGE		2.2	2.6	V_f	
REVERSE VOLTAGE	5.0			V_r	$I_f=100\mu\text{A}$
AXIAL INTENSITY		3500		μcd	$I_f=10\text{mA}$
EMITTED COLOR:	GREEN				
FACE COLOR:	GRAY				
SEGMENT COLOR:	MILKY WHITE DIFFUSED				

PARAMETER	MAX	UNITS
PEAK FORWARD CURRENT*	150	mA
STEADY CURRENT	25	mA
POWER DISSIPATION	105	mW
DERATE FROM 25°C	-1.2	mW/°C
OPERATING, STORAGE TEMP.	-40 TO +85	°C
SOLDERING TEMP.	+260	°C
2.0mm FROM BODY		3 SEC. MAX

* $t < 10\mu\text{s}$



UNCONTROLLED DOCUMENT

*UNLESS OTHERWISE SPECIFIED TOLERANCE IS $\pm 0.25\text{mm}$ ($\pm 0.010''$)

REV. A	PART NUMBER LDS-C512RI	<p>CONFIDENTIAL INFORMATION THE INFORMATION CONTAINED IN THIS DOCUMENT IS THE PROPERTY OF LUMEX INC. EXCEPT AS SPECIFICALLY AUTHORIZED IN WRITING BY LUMEX INC., THE HOLDER OF THIS DOCUMENT SHALL KEEP ALL INFORMATION CONTAINED HEREIN CONFIDENTIAL AND SHALL PROTECT SAME IN WHOLE OR IN PART FROM DISCLOSURE AND DISSEMINATION TO ALL THIRD PARTIES.</p> <p>RELIABILITY NOTE OUR MANY YEARS OF EXPERIENCE DATA ACCUMULATION INDICATE THAT SOLDER HEAT IS A MAJOR CAUSE OF EARLY AND FUTURE FAILURE. PLEASE PAY ATTENTION TO YOUR SOLDERING PROCESS.</p>	<p>LUMEX INCORPORATED</p>
0.56" SEVEN SEGMENT, SINGLE DIGIT DISPLAY, 565nm GREEN CHIPS, GRAY FACE WITH WHITE SEGMENTS, COMMON CATHODE, RIGHT DECIMAL.		DRAWN BY: BC	CHECKED BY: APPROVED BY: DATE: 7-20-95 PAGE: 1 OF 1 SCALE: N/A