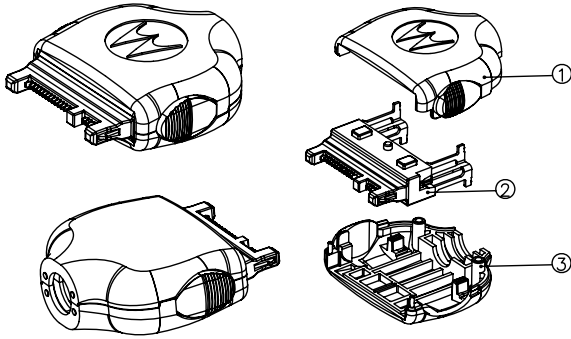


Tous droits strictement réservés. Reproduction ou communication a des tiers interdite sous quelque forme que ce soit sans autorisation écrite du propriétaire. Propriété de c FCI. Droits de reproduction FCI.

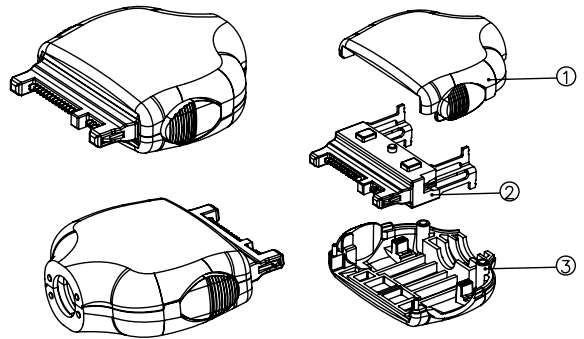


All rights strictly reserved. Reproduction or issue to third parties in any form whatever is not permitted without written authority from the proprietor. Property of FCI. Copyright FCI.

	DESCRIPTION	PART NUMBER	Q'TY	Q'TY	Q'TY	REMARK
1	TOP COVER	10017335-001	1	1	N/A	WITH "M" LOGO
		10017335-002	N/A	N/A	1	WITHOUT "M" LOGO
2	17P DATA PLUG ASS'Y	10028885-001LF	1	1	1	
3	BOTTOM COVER	10017334-001	1	1	1	
REMARK				Special package		



10012838-001LF/001/004LF



10012838-003LF

Notes:

- The housing of 10028885-xxx will withstand exposure to 260°C peak temperature for 10 seconds in a convection, infra red vapor phase reflow oven
- 10012838-001LF meets European union directives and other country regulations as described in GS-22-008
- Lead free label on the carton of 10028885-001LF per GS-14-920
- Plating specification for terminal:
 1.2 um minimum nickel all over followed by:
 Contact side: 0.8 um minimum Au
 Solder tail side: 2.5 ~ 10 um pure Sn for 10028885-001LF/003LF

mat'l. code				tolerances unless otherwise specified		CUSTOMER COPY		FCI	
ltr	ecn no	dr	date	linear	.X ± 0.15	projection	title	www.fciconnect.com	
C	T03-0322	M	08/06/03		.XX ± 0.10		17P DATA PLUG ASS'Y		
D	T04-0217	M	05/19/04		.XXX ±				
E	bg04-0077	P	10/12/04	angles	.0° ± 2'		product family	MOBILE I/O	code
F	bg04-0096	P	12/16/04	dr			MM	size	dwg no
G	bg05-0099	P	07/11/05	enrg		scale	A4	10012838	sheet 1 of 4
H	bg06-0452	C	11/07/06	chr	PAUL WANG 05/22/03				
J	bg07-0027	C	01/22/07	appd	JENN TSAO 05/22/03				
sheet index	revision sheet	J	G	C	C				
		1	2	3	4				

ACAD

PDM: Rev:J

STATUS: Released

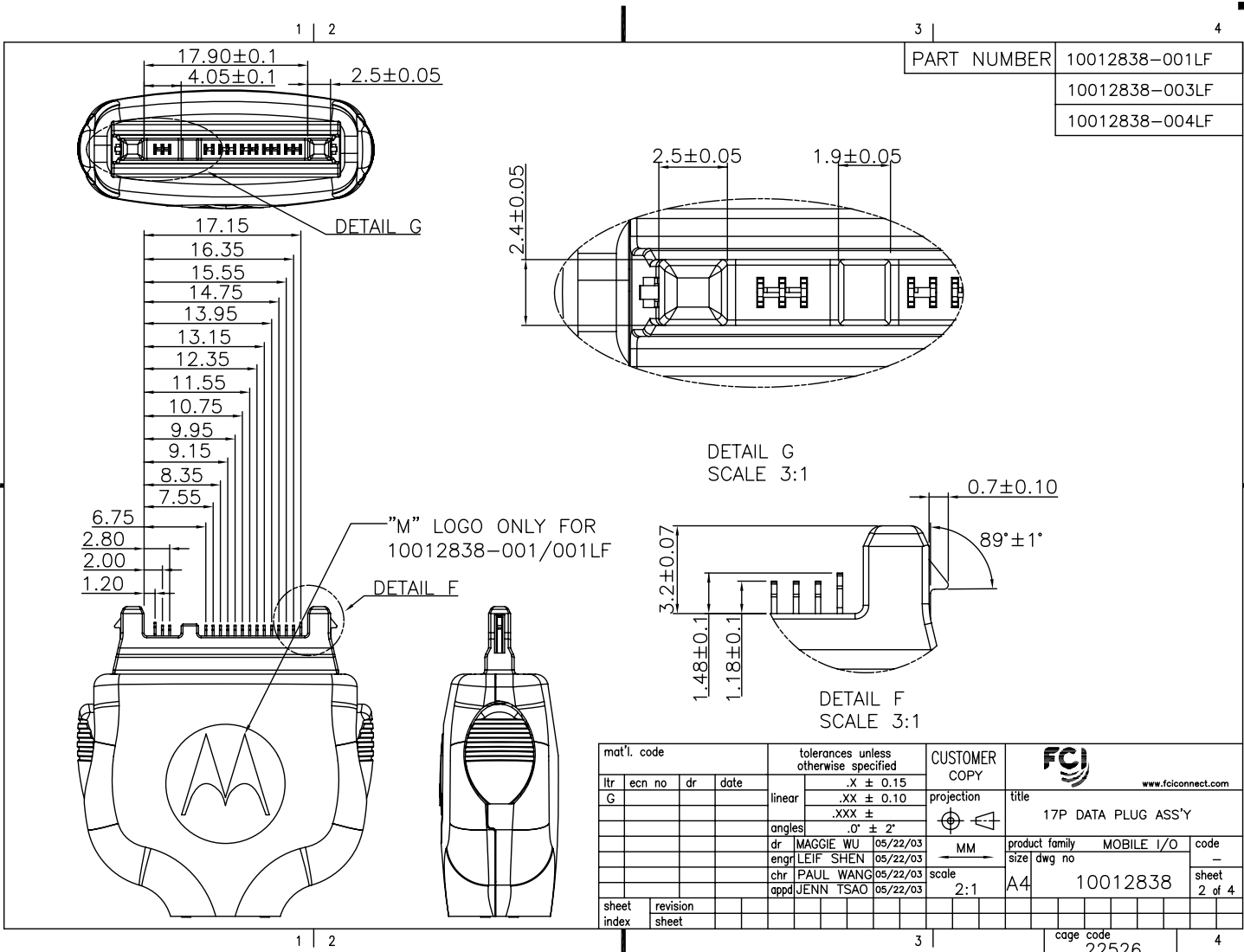
Printed: May 27, 201

cage code 22526

Tous droits strictement réservés. Reproduction ou communication a des tiers interdite sous quelque forme que ce soit sans autorisation écrite du propriétaire. Propriété de c FCI. Droits de reproduction FCI.



All rights strictly reserved. Reproduction or issue to third parties in any form whatever is not permitted without written authority from the proprietor. Property of FCI. Copyright FCI.



PART NUMBER	10012838-001LF
	10012838-003LF
	10012838-004LF

mat'l. code		tolerances unless otherwise specified		CUSTOMER COPY		FCI		
ltr	ecn no	dr	date	.X ± 0.15	projection	www.fciconnect.com		
G				.XX ± 0.10		title		
				.XXX ±		17P DATA PLUG ASS'Y		
				angles .0° ± 2'		product family	MOBILE I/O	code
				dr MAGGIE WU 05/22/03		size	dwg no	-
				enrg LEIF SHEN 05/22/03		scale	10012838	sheet
				chr PAUL WANG 05/22/03		2:1	2 of 4	
				appd JENN TSAO 05/22/03				
sheet index	revision sheet					cage code		
						22526		

ACAD PDM: Rev:J STATUS: Released Printed: May 27, 201

Tous droits strictement réservés. Reproduction ou communication a des tiers interdite sous quelque forme que ce soit sans autorisation écrite du propriétaire. Propriété de c FCI. Droits de reproduction FCI.



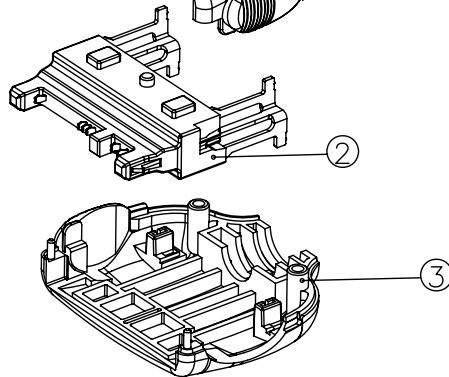
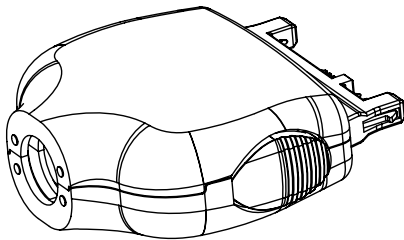
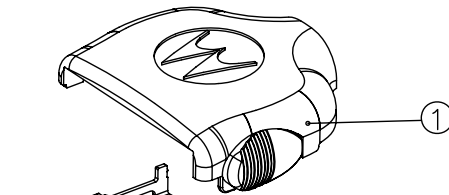
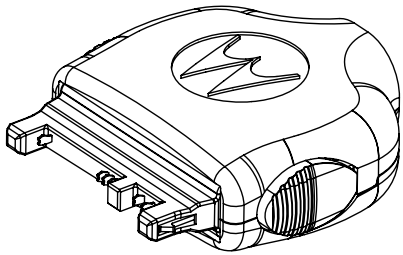
All rights strictly reserved. Reproduction or issue to third parties in any form whatever is not permitted without written authority from the proprietor. Property of FCI. Copyright FCI.

1 | 2

3 |

4

	DESCRIPTION	PART NUMBER	10012838-002LF
1	TOP COVER	10017335-001	Q'TY 1
2	6P DATA PLUG ASS'Y	10028885-002LF	1
3	BOTTOM COVER	10017334-001	1



Notes:

- The housing of 10028885-xxx will withstand exposure to 260°C peak temperature for 10 seconds in a convection, infra red vapor phase reflow oven
- 10012838-002LF meets European union directives and other country regulations as described in GS-22-008
- Lead free label on the carton of 10028885-002LF per GS-14-920
- Plating specification for terminal:
 Contact side: 0.8 um minimum Au
 Solder tail side: 2.5 ~ 10 um pure Sn for 10028885-002LF

mat'l. code		tolerances unless otherwise specified		CUSTOMER COPY		FCI www.fciconnect.com	
ltr	ecn no	dr	date	linear	.X ± 0.15	projection	title
C					.XX ± 0.10		17P DATA PLUG ASS'Y
					.XXX ±		product family
				angles	.0° ± 2'	MM	code
				dr	MAGGIE WU 05/22/03	scale	10012838
				enrg	LEIF SHEN 05/22/03	2:1	sheet
				chr	PAUL WANG 05/22/03		3 of 4
				appd	JENN TSAO 05/22/03		
sheet index	revision sheet						

1 | 2

3 |

4

ACAD

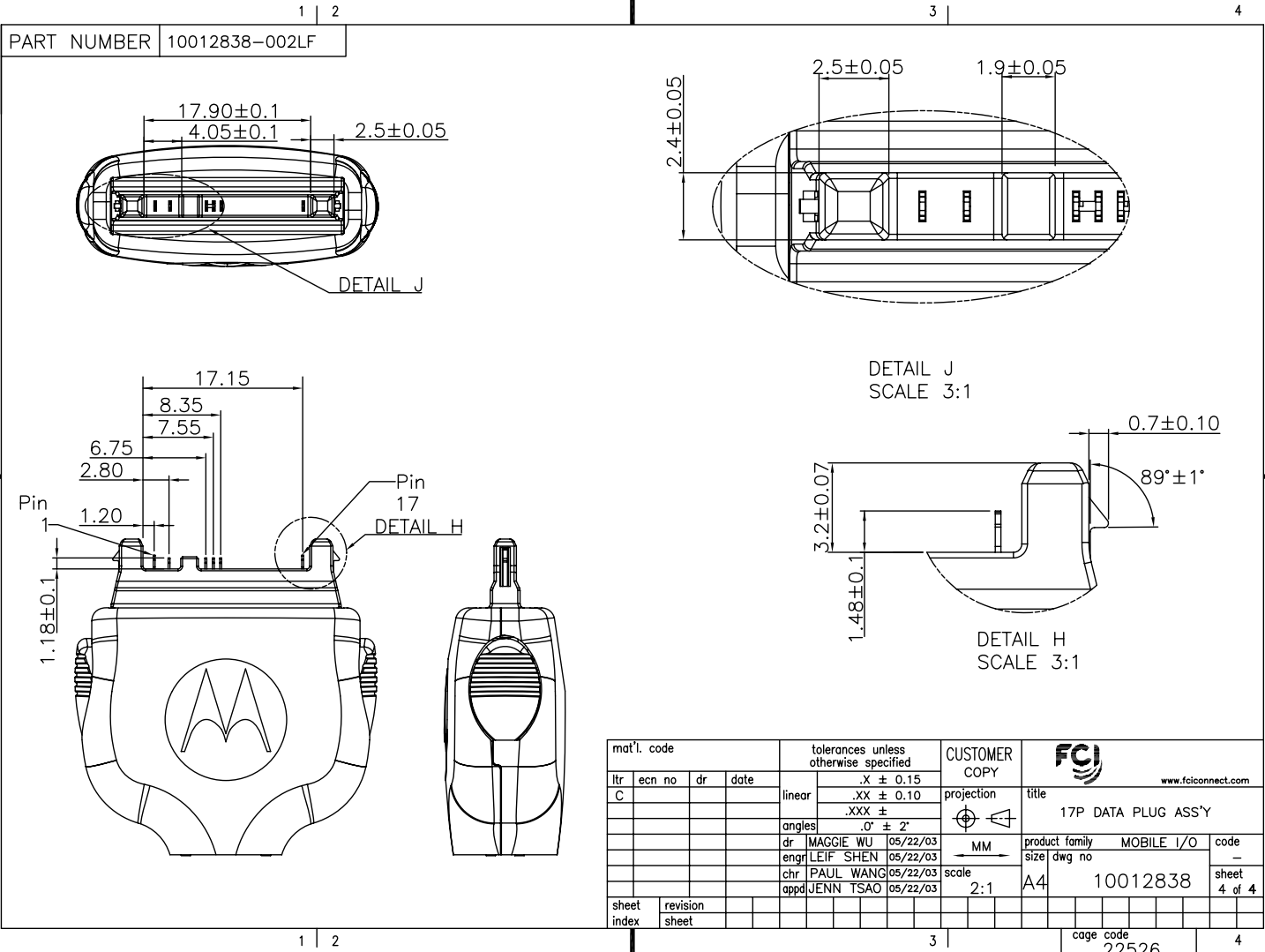
PDM: Rev:J

STATUS: Released

Printed: May 27, 201

cage code
22526

All rights strictly reserved. Reproduction or issue to third parties in any form whatever is not permitted without written authority from the proprietor. Property of FCJ. Copyright FCJ.
 Tous droits strictement réservés. Reproduction ou communication à des tiers interdite sous quelque forme que ce soit sans autorisation écrite du propriétaire. Propriété de c FCJ. Droits de reproduction FCJ.



mat'l. code		tolerances unless otherwise specified		CUSTOMER COPY		FCJ www.fcjconnect.com	
ltr	ecn no	dr	date	linear	.X ± 0.15	projection	title
C					.XX ± 0.10		17P DATA PLUG ASS'Y
					.XXX ±		product family
				angles	.0° ± 2'	MM	code
				dr	MAGGIE WU 05/22/03	scale	2:1
				enr	LEIF SHEN 05/22/03	size	A4
				chr	PAUL WANG 05/22/03	dwg no	10012838
				appd	JENN TSAO 05/22/03	sheet	4 of 4
sheet index	revision sheet						
						cage code	22526

ACAD

PDM: Rev:J

STATUS: Released

Printed: May 27, 201