



DL Series

Audio



NC4FD-L-BAG-1

Universal D-size metal body XLR panel mount series. UL recognized component.

4 pole female receptacle, solder cups, black metal housing, silver contacts

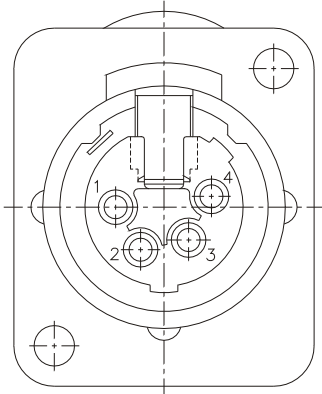
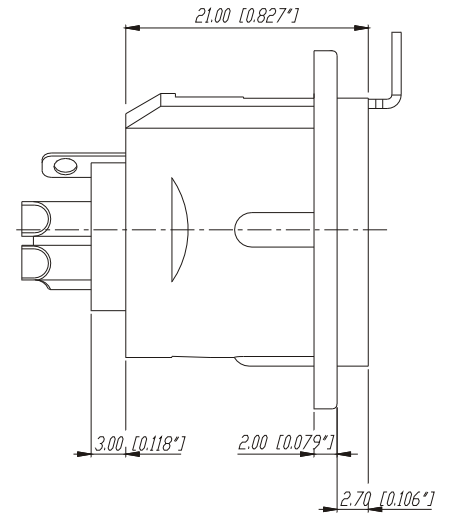
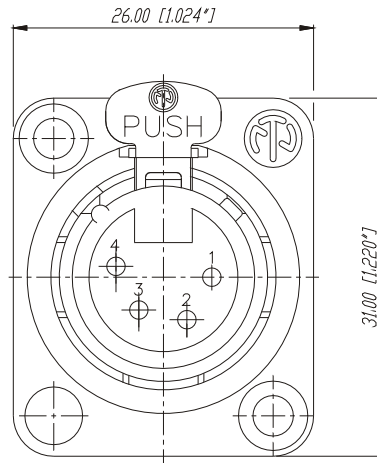
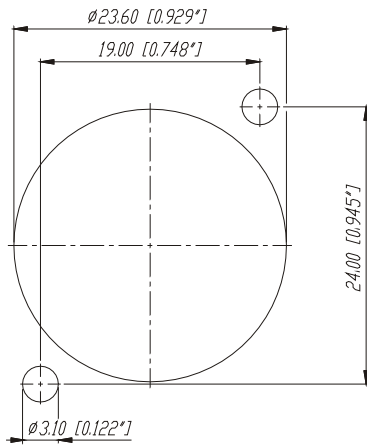
Features & Benefits

- Robust "D" metal shell
- Standardized D sized 24 mm panel cutout
- Solder cups on 3 - 7 pole version

ACCESSORIES



Frontplattenausschnitt (Rückseite)
Panel cut out (rear side)



				Werkstoff:	Maßstab:	Datum:	Name:
				*Lieferant darf ohne Rücksprache nicht geändert werden	3:1	06.07.09	Maximilian
						Zeichnung urheberrechtlich geschützt (DIN 34) (C)	Gezeichnet
				Benennung:	NC4FDL-1	Geprüft	
						Ersetzt durch:	Blatt
B	Aktuelles Gehäuse	27.02.98	Alinjak			Ersetzt fuer:	von Blatt
A	CAD	10.08.92	Blaichn.			Zeichn. Nr.:	3102 St 10 12
Ind.	Aenderung	Datum	Name	NEUTRIK AG FL-9494 SCHAAN			



Audio

DL Series

NC4FD-L-BAG-1



There are no technical infos for this product.

Product	
Connector Type	XLR
Gender	female
Electrical	
Capacitance between contacts	≤ 7 pF
Contact resistance	≤ 5 m Ω
Dielectric strength	1,5 kVdc
Insulation resistance	> 2 G Ω (initial)
Insulation resistance	> 1 G Ω (after damp heat test)
Rated current per contact	10 A
Rated voltage	50 V
Mechanical	
Insertion force	≤ 20 N
Withdrawal force	≤ 20 N
Lifetime	> 1000 mating cycles
Wire size	max. 1.5 mm ²
Wire size	max. 16 AWG
Wiring	Solder contacts
Locking device	latch lock
Mounting direction	front & rear
Chassis shape	D
Material	
Contact plating	2 μ m Ag over 2 μ m Ni
Contacts	Brass (CuZn39Pb3)
Insert	Polyamide (PA 6.6 30 % GR)
Locking element	Steel Ck67
Shell	Zinc diecast (ZnAl4Cu1)
Shell plating	Black chromium
Environmental	
Approvals	UL
Flammability	UL 94 HB
Standard compliance	IEC 61076-2-103

Solderability	Complies with IEC 68-2-20
Temperature range	-30 °C to +80 °C
Optical	
Mobile Cables	