



Audio

NEUTRIK



[back](#)

[Print](#)

NLT4FX



4 pole female cable connector, nickel housing, chuck type strain relief

The new STX Series is the next generation of 4 pole Speakon connectors especially designed for amplifier-loudspeaker applications in harsh and demanding environments such as professional touring. The extremely rugged and durable STX Series feature an all metal housing and a built-in gasket providing weatherproof protection to IP54. The 4 pole version is now available as 4 gender system including male cable and female chassis connector.

Features & Benefits

- Current rating 40 Amp continuous, 50 Amp audio with 50% duty cycle
- Robust and durable all metal housing
- Sealing ring provides weatherproof IP54 rating
- Reinforced metal quick lock system for ease and precise locking
- Extra large solder contacts for up to 6mm² (AWG10) wires
- Mate with all available Speakon products

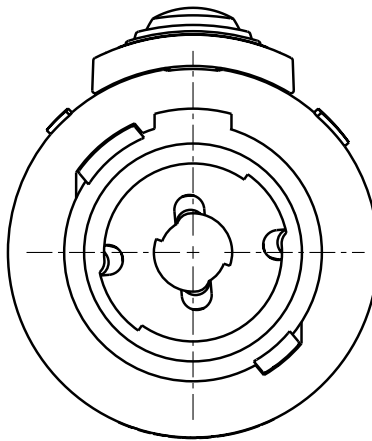
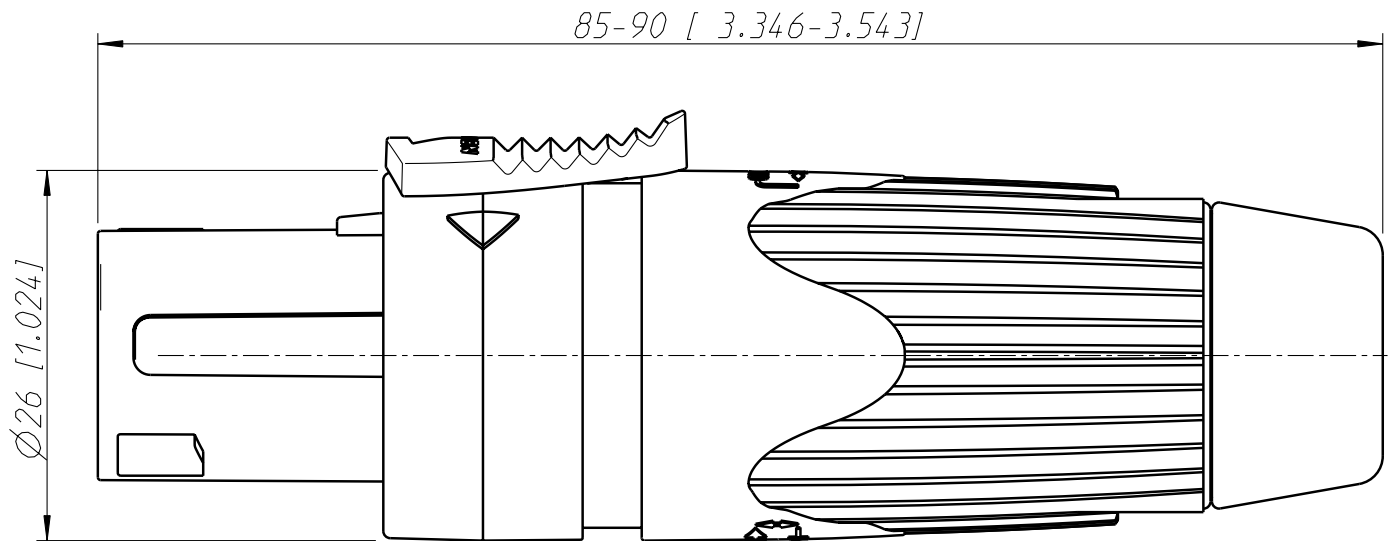
Deutsche Version

[Home](#)
[About Us](#)
[Products](#)
[Support](#)
[News](#)
[Sitemap](#)

[Search](#)

[Products only](#)

© Neutrik® AG
All rights reserved
[Legal Notices](#)



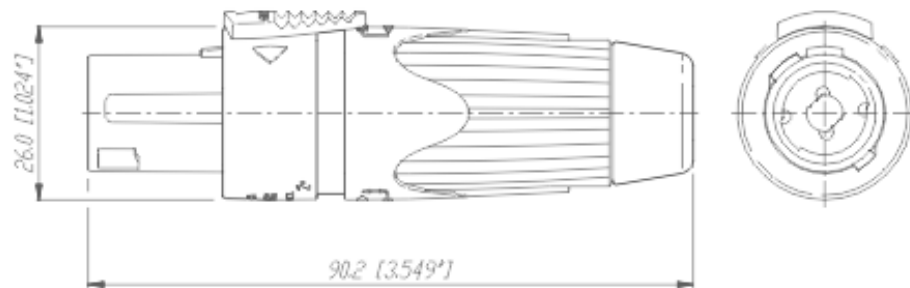
Allgemeintoleranzen ISO 2768-m	Werkstoff	Massstab:		Datum	Name
Zeichnung urheberrechtlich geschuetzt (DIN 34) (C)	-	2:1	Gezeichnet	15.01.02	Dobler
	-	(A4)	Freigegeben	-	-
			Geaendert	09.06.04	Payr
Benennung			Aend.-Nr.	Aend.-Index	
NLT4FX			173-2004	D	
NLT4FX			Ersatz fuer:	Blatt 1 von 1 Bl.	
NEUTRIK AG FL-9494 SCHAAN			Zeichn. Nr.	ST-NLT4FX	



STX Series



NLT4FX



There are no technical infos for this product.

Product

Connector Type	Speakon
Gender	female

Electrical

Contact resistance	< 2 m Ω (after lifetime)
Dielectric strength	4 kVdc (peak)
Insulation resistance	> 10 G Ω (after dampheat)
Rated current per contact	40 A rms continuous
Rated current per contact	50 A audiosignal, duty cycle 50 %
Rated voltage	250 V (Insulation)

Mechanical

Cable O.D.	9 - 16 mm
Cable retention force	\geq 220 N (subject to cable O.D. and material)
Lifetime	> 5000 mating cycles
Wire size	6 mm ²
Wire size	10 AWG
Wiring	Solder Contacts
Locking device	Quick Lock (latch)

Material

Bushing	Polyamide (PA 6 15% GR)
Contact plating	4 μ m Ag
Contacts	Brass (CuZn39Pb3)
Insert	Polyamide (PA 6 30 % GR)
Locking element	Zinc diecast (ZnAl4Cu1)
Shell	Zinc diecast (ZnAl4Cu1)

Strain relief Polyacetal (POM)

Environmental

Approvals UL, CSA

Flammability UL 94 HB

Protection class IP 54 (mated condition)

Solderability Complies with IEC 68-2-20

Temperature range -30 °C to +80 °C

Optical

Mobile Cables