



Audio

**NEUTRIK**

Deutsche Version

Home  
About Us  
Products  
Support  
News  
Sitemap

Search

Products only

© Neutrik® AG  
All rights reserved  
Legal Notices



Audio

## Chassis Connectors

[back](#)

[Print](#)

### NL4MD-V



4 pole chassis connector, black D-size flange, countersunk thru holes, vertical PCB mount

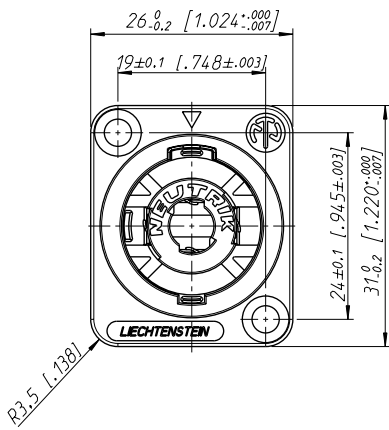
The state-of-the-art chassis connector for loudspeaker / amplifier applications. They feature a unique locking system, robust plastic housing and high current silver plated contacts.

#### Features & Benefits

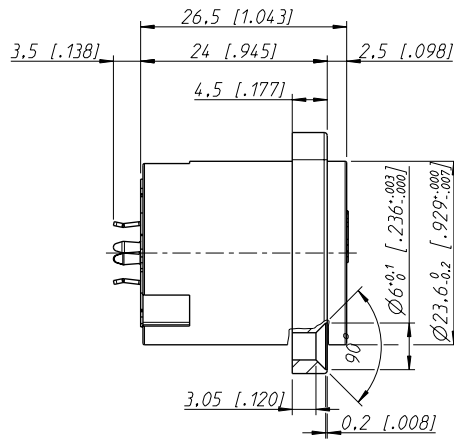
- Standard current rating 30 Amp
- High current version up to 50 Amp audio current
- Glass reinforced materials make it extremely robust and dependable
- Precise keyway for secure mating
- Accurate twist lock latching system
- Metal insert in locking area
- Airtight design - optimized for speaker applications

#### ACCESSORIES

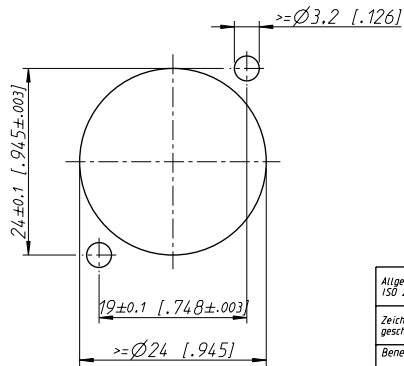
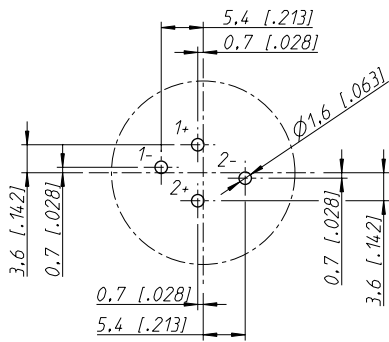
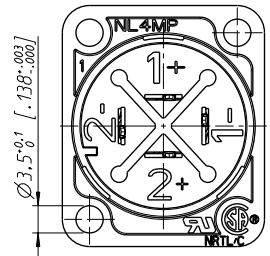




Print-Bohrplan (Bestückungsseite)  
PCB-Layout (component side)



Frontplattenausschnitt (Rückseite)  
Panel Cutout (rear side)



Allgemeintoleranzen ISO 2768-m	Werkstoff	Maßstab:	Datum	Name	
Zeichnung urheberrechtlich geschützt! (DIN 34) (C)	-	2:1 (A3)	Gezeichnet	11.04.90	Marlinek
			Freigegeben	-	-
Benennung	-	-	Geändert	23.06.04	Mijatovic
			Aend.-Nr.	-	Aend.-Index F
			Ersatz fuer:	3102ST0506	Blatt 1 von 1 Bl.
NEUTROK AG FL-9494 SCHAAN			Zechn. Nr.	ST-NL4MD-V	



## Environmental

Approvals	UL, CSA
Flammability	UL 94 HB
Solderability	Complies with IEC 68-2-20
Temperature range	-30 °C to +80 °C

## Optical

## Mobile Cables