



XX Series

Audio



NC4MXX

The next generation of the worldwide accepted standard of XLR cable connectors. The successor of the X series offers several new features which make it more reliable, easier to assemble and improves contact integrity as well cable strain relief.

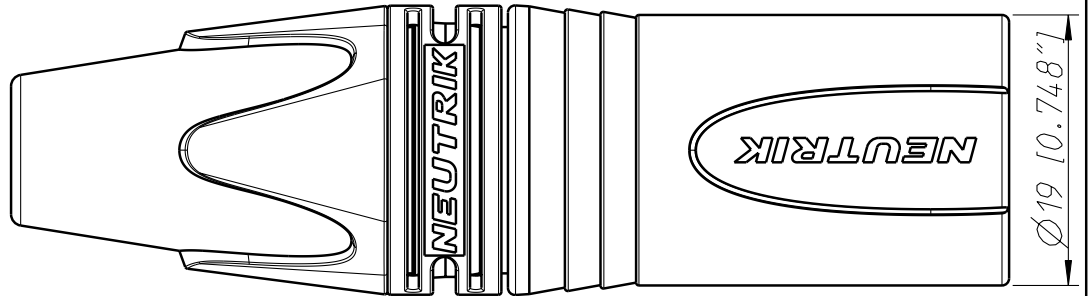
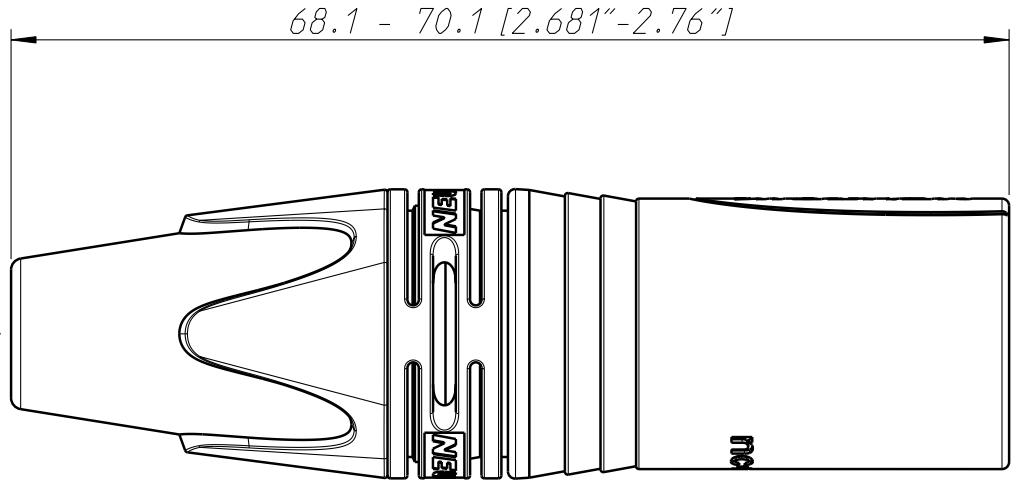
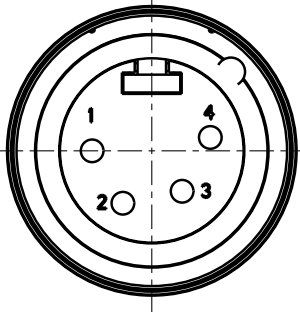
4 pole male cable connector with Nickel housing and silver contacts.

Features & Benefits

- Male connector with improved locking recess without "window", more stringent housing increases durability
- Improved chuck type strain relief provides higher pull-out force and makes assembly easier and faster
- Boot with polyurethane gland gives high protection to cable bending stresses
- Colored rings and boots available for coding or identification
- Sleek and ergonomic design - valuable and handy
- Rugged zinc diecast shell, longlasting and dependable

ACCESSORIES



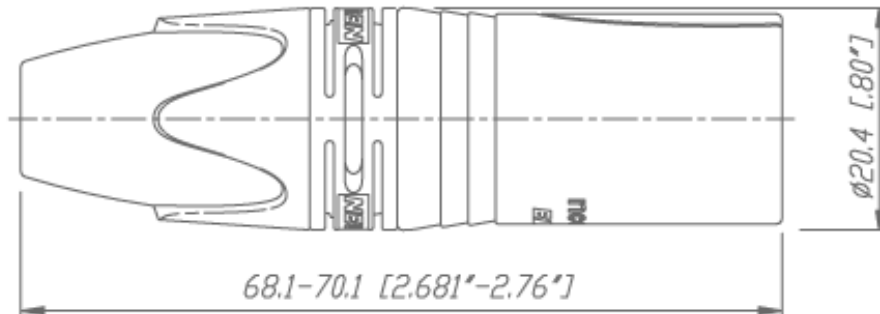


| | | | | | |
|---|--------------------------------|------------------------------|--------------------------|----------------------|--------|
| Allgemeintoleranzen ISO 2768-m | Werkstoff KEIN_MAT - | Massstab: 2:1 (A4) | Gezeichnet | Datum | Name |
| | | | Freigegeben | 06.12.05 | jutz b |
| Zeichnung urheberrechtlich geschuetzt (DIN 34) (C) | | | Geaendert | - | - |
| | | | | 17.04.07 | jutz b |
| Benennung XX-Serie NC4MXX | | | Aend.-Nr. | Aend.-Index | |
| | | | - | B | |
| | | | Ersatz fuer: | Blatt 1 von 1 Bl. | |
| NEUTRIK AG FL-9494 SCHAAN | | | Zeichn. Nr. ST-NC4MXX | | |



XX Series

NC4MXX



There are no technical infos for this product.

| Product | |
|------------------------------|---|
| Connector Type | XLR |
| Gender | male |
| Electrical | |
| Capacitance between contacts | ≤ 7 pF |
| Contact resistance | ≤ 3 m Ω |
| Dielectric strength | 1,5 kVdc |
| Insulation resistance | > 2 G Ω (initial) |
| Insulation resistance | > 1 G Ω (after damp heat test) |
| Rated current per contact | 10 A |
| Rated voltage | 50 V |
| Mechanical | |
| Cable O.D. | 3.5 - 8.0 mm |
| Insertion force | ≤ 20 N |
| Withdrawal force | ≤ 20 N |
| Lifetime | > 1000 mating cycles |
| Wire size | max. 1.5 mm ² |
| Wire size | max. 16 AWG |
| Wiring | Solder contacts |
| Locking device | latch lock |
| Material | |
| Boot | Polyuretan |
| Bushing | Polyamide (PA 6 15% GR) |

| | |
|-----------------|---------------------------------|
| Contact plating | 2 µm Ag over 2 µm Ni |
| Contacts | Brass (CuZn39Pb3) |
| Insert | Polyamide (PA 6.6 30 % GR) |
| Locking element | St3K32 (latch) / Ck 67 (spring) |
| Shell | Zinc diecast (ZnAl4Cu1) |
| Shell plating | Nickel |
| Strain relief | Polyacetal (POM) |

Environmental

| | |
|---------------------|---------------------------|
| Flammability | UL 94 HB |
| Standard compliance | IEC 61076-2-103 |
| Protection class | IP 40 |
| Solderability | Complies with IEC 68-2-20 |
| Temperature range | -30 °C to +80 °C |

Optical

Mobile Cables