



Audio

P Series

[back](#)[Print](#)

NC6FP-1



Smallest available traditional style metal panel mount connector with large solder cups for ease hard wiring.

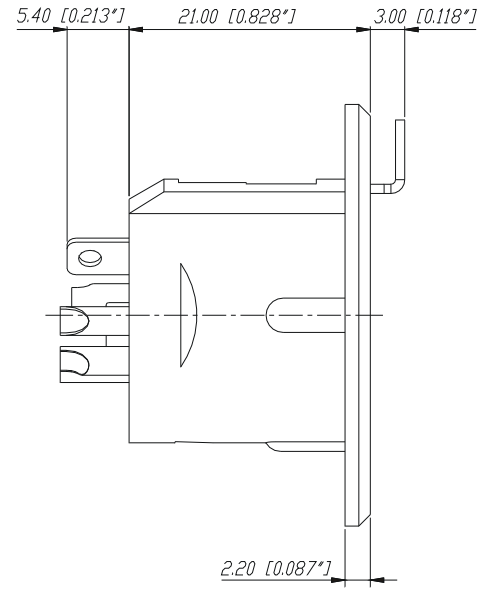
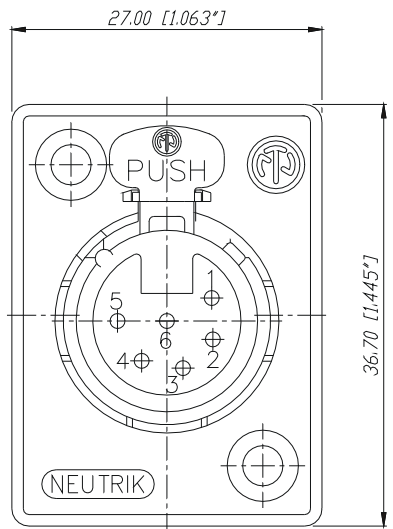
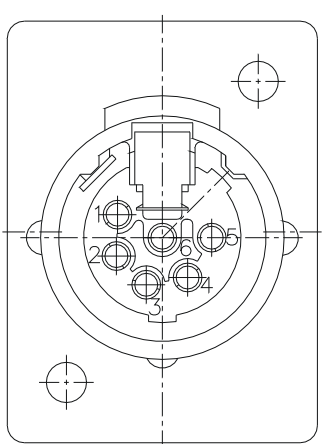
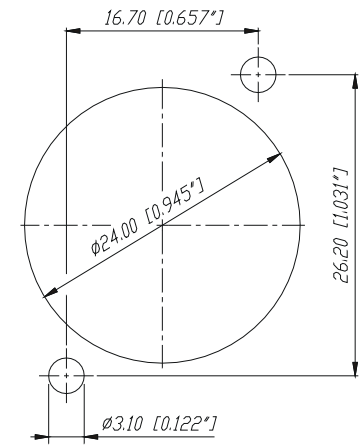
6 pole female receptacle, solder contacts, Nickel housing, silver contacts

Features & Benefits

- Smallest available hard wiring receptacles with large solder cups
- Short female receptacle
- Compatible with switchcraft D*M, D*F; Cannon XLB2*31, XLB2*32
- 6 pole version available with Switchcraft contact arrangement (NC6FSP-1, NC6MSP)

Frontplattenausschnitt (Rückseite)

Panel cut out (rear side)



					Werkstoff:	Maßstab:	Datum:	Name:
						3:1	07.02.96	Sobler
					*Lieferant darf ohne Rücksprache nicht geändert werden			
					Zeichnung urheberrechtlich geschützt (DIN 34) (C)			
					Benennung: (FP-1)			
					NC6FP-1			
A	Aktuelle Zeichnung	27.03.98	Alin,jak					
Ind	Änderung	Datum	Name		NEUTRIK AG FL-9494 SCHAAN			
					Zeichn. Nr. 3102 St 11 28			

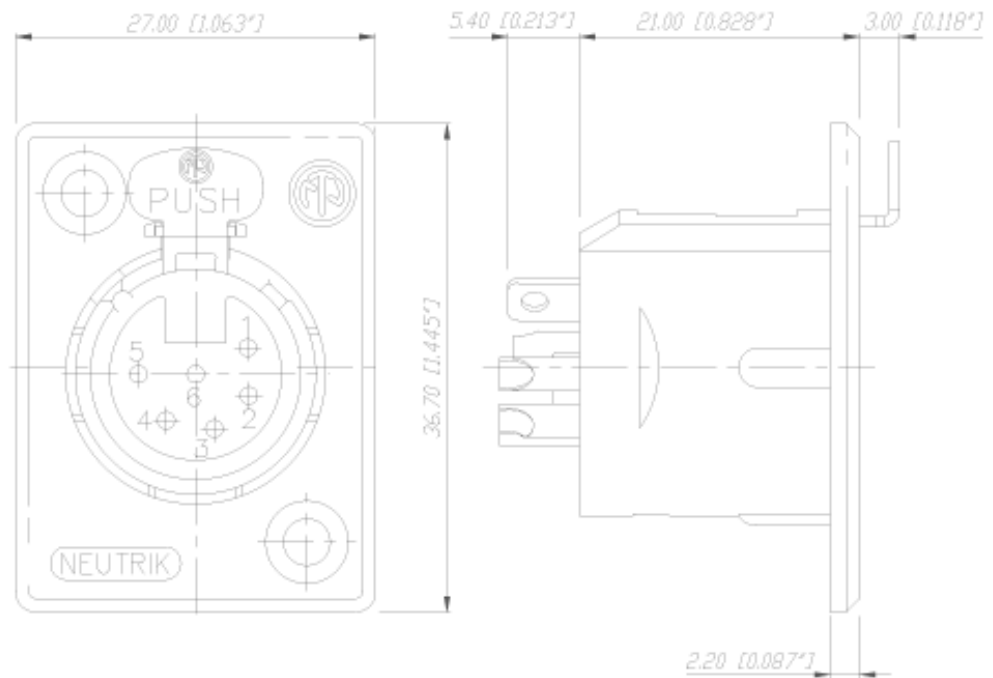


P Series



Audio

NC6FP-1



There are no technical infos for this product.

Product

Connector Type	XLR
Gender	female

Electrical

Capacitance between contacts	≤ 7 pF
Contact resistance	≤ 5 m Ω
Dielectric strength	1,5 kVdc
Insulation resistance	> 2 G Ω (initial)
Insulation resistance	> 1 G Ω (after damp heat test)
Rated current per contact	7,5 A
Rated voltage	50 V

Mechanical

Insertion force	≤ 20 N
-----------------	-------------

Withdrawal force	≤ 20 N
Lifetime	> 1000 mating cycles
Wire size	max. 1.0 mm ²
Wire size	max. 18 AWG
Wiring	Solder contacts
Locking device	latch lock
Mounting direction	front
Chassis shape	P

Material

Contact plating	2 μm Ag over 2 μm Ni
Contacts	Brass (CuZn39Pb3)
Insert	Polyamide (PA 6.6 30 % GR)
Locking element	Steel Ck67
Shell	Zinc diecast (ZnAl4Cu1)
Shell plating	Nickel

Environmental

Flammability	UL 94 HB
Standard compliance	IEC 61076-2-103
Solderability	Complies with IEC 68-2-20
Temperature range	-30 °C to +80 °C

Optical

Mobile Cables