



Audio

AA Series**NC3FAAV2-0**

New most cost-effective round plastic body XLR PCB mount panel connector. Front panel cutout and PCB layout 100% compatible to A series. New "tulip" type contact design with high contact pressure for highest durability. Push latch assembled. Flammability rating UL94HB.

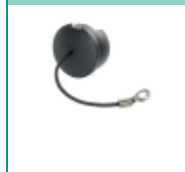
3 pole female XLR receptacle, grounding: separate ground contact to mating connector shell and front panel, vertical PCB mount, retention spring instead of latch

Features & Benefits

- Most cost-effective series
- "Tulip" type contact design with high contact pressure for highest durability
- Selective gold plated contact and PCB termination area for best conductivity and solderability

ACCESSORIES

SCF

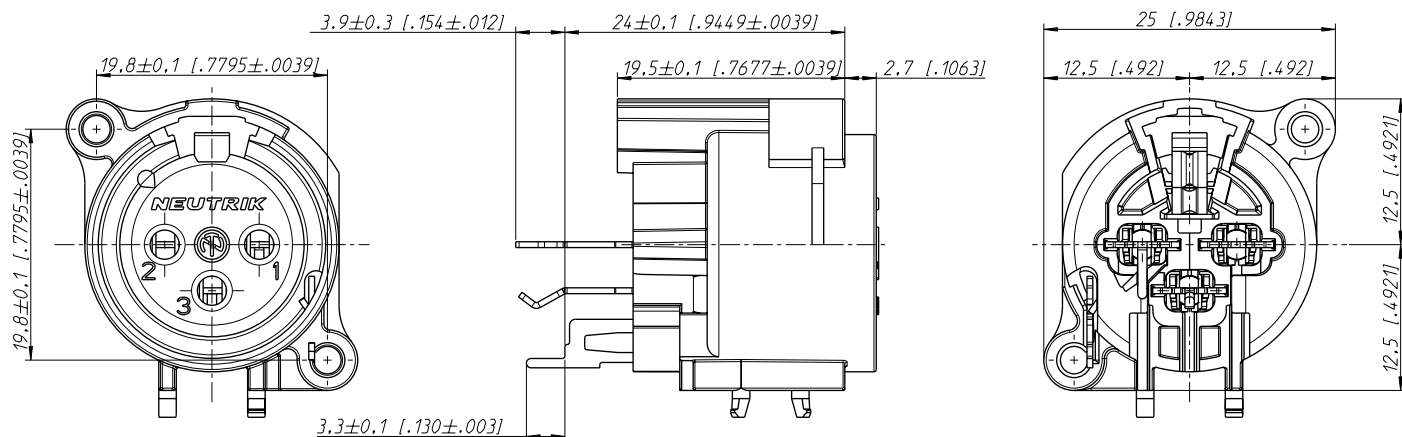


SFAV



A-SCREW-1-8

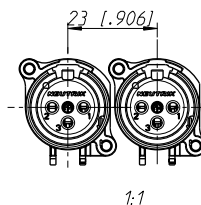
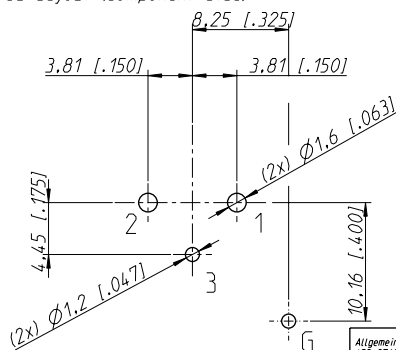
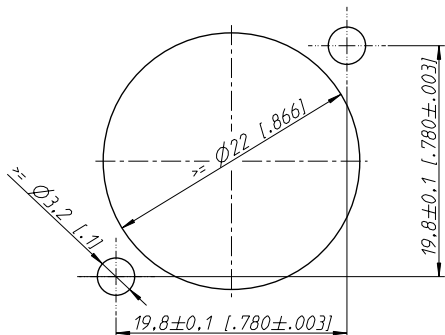




Frontplattenausschnitt (Rückseite)
Panel cut out (rear side)

Print-Bohrplan (Bestückungsseite)
PCB-Layout (component side)

min. Einbaubestand
min assembling distance

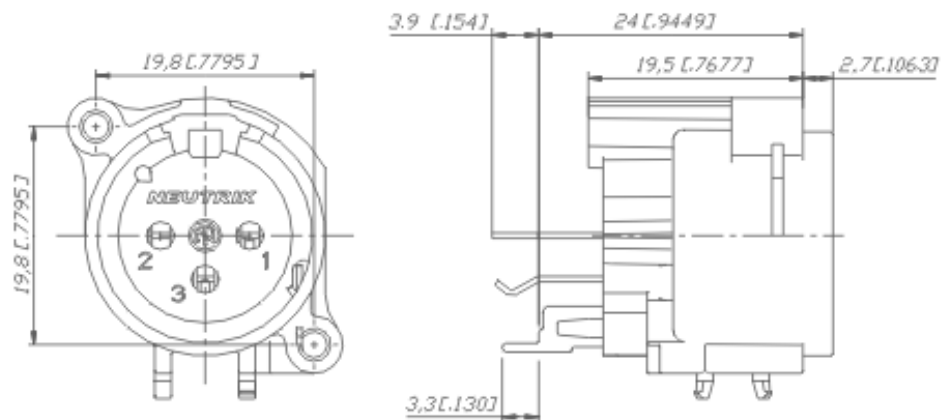


Allgemeintoleranzen ISO 2768-m	Werkstoff	Massstab:	Datum		Name	
			Gezeichnet	27.11.02	Dobler	-
Zeichnung urheberrechtlich geschützt (DIN 34) (C)	-	3:1 (A3)	Freigegeben	-	-	-
	-		Geändert	25.09.03	Ender	-
Benennung			Aend.-Nr.		Aend.-Index	
NC3FAAV2-0			-		-	
NC3FAAV2-0			Ersatz fuer:		Blatt 1 von 1 Bl.	
NEUTRIK AG FL-9494 SCHAAN			Zeichn. Nr.		ST-NC3FAAV2-0	



AA Series

NC3FAAV2-0



There are no technical infos for this product.

Product

Connector Type	XLR
Gender	female

Electrical

Capacitance between contacts	≤ 7 pF
Contact resistance	≤ 8 m Ω
Dielectric strength	1,5 kVdc
Insulation resistance	> 2 G Ω (initial)
Insulation resistance	> 1 G Ω (after damp heat test)
Rated current per contact	6 A
Rated voltage	50 V
Grounding options	Separate ground contact connected to mating connector shell and front panel, no connection to Pin 1

Mechanical

Insertion force	≤ 20 N
Withdrawal force	≤ 20 N
Lifetime	> 1000 mating cycles
Wiring	Vertical PCB mount
Locking device	Retention spring
Mounting direction	rear
Chassis shape	A

Mounting	A-Screw
Material	
Contact plating	0.2 µm AuCo over 2 µm NiP15 (Tribor®)
Contacts	Bronze (CuSn6)
Insert	Polyamide (PA 6.6 30 % GR)
Locking element	Steel Ck67
Flange	Black Plastic
Environmental	
Flammability	UL 94 HB
Standard compliance	IEC 61076-2-103
Solderability	Complies with IEC 68-2-20
Temperature range	-30 °C to +80 °C
Optical	
Mobile Cables	