

Switchcraft®

[Previous Page](#) | [Return to Index](#) | [Next Page](#)



PHONO PLUGS

1. Number 3501M
2. Number 3501MC
3. Number 3502
4. Number 3502A-NICKEL HANDLE, NICKEL PLUG
5. Number 3502AAU-NICKEL HANDLE, GOLD PLUG
6. Number 3502ABAU-BLACK HANDLE, GOLD PLUG

[click here to download a schematic drawing](#)

(you will need to have Adobe Acrobat installed on your system to do this)



Switchcraft phono jacks and plugs are recommended for semi-permanent connections in audio and electronic applications.

NOTE: Where frequent connect/disconnect is anticipated, Switchcraft Littel-Jax® phone jacks and Littel-Plug® phone plugs are suggested.

For Series 3500 phono plugs molded directly to cables, refer to Cable Assembly Section.

Part Number 3501M: 2-conductor phono plug accepts cable up to .125 inch (3.18 mm) diameter

Part Number 3501MC: 2-conductor phono plug with cable clamp

Part Number 3502: Phono Plug, 2-conductor shielded. Heavy duty cable clamp and removable handle; accepts cables up to .203 inch (5.16 mm) diameter Terminals may be crimped with pliers for temporary connections or soldered for permanent connections. Plug accommodates multiple jacks spaced on .438 inch (11.13 mm) centers. Nickel-plated copper alloy body and handle.

SERIES 3502A, AAU, ABAU FEATURES AND BENEFITS

- * Solder cup on center conductor for fast, easy termination.
- * Solid center conductor.
- * High quality appearance.

- * Larger cable clamp provides better strain relief for larger cables.
- * Longer cable clamp for easier plug assembly and more room for solder connection.
- * Knurl on the back of handle provides ergonomic gripping surface to tighten plug.
- * Longer handle for improved gripping surface and easy plug withdrawal from jack.

MARKETS

- * Audio
- * Consumer electronic equipment
- * Broadcast studios
- * Home recording equipment
- * Audio cable assembly manufacturers
- * Instrumentation
- * Test equipment

SPECIFICATIONS

Contact Resistance (typical *D.O.M.J.): < 0.020 ohms.

Dielectric Withstand Voltage: 500V AC (minimum).

Insulation Resistance @ 500V DC: 2,000 megohms (minimum).

Insulation Resistance (after MIL-STD-202 Salt Spray): 1,000 megohms (minimum).

Working Voltage: 250V AC, 140V DC.

Current Carry @ Working Voltage
(typical *D.O.M.J.): 6.0 AMPS.

Insert/Withdrawal Force: *D.O.M.J..

Temperature Range: -40° to + 85° Centigrade.

U.L. Component Recognition File No.: E118169.

Life: *D.O.M.J..

Maximum Cable Size: .285 inch diameter.

*D.O.M.J. - Dependent On Mating Jack

MATERIALS

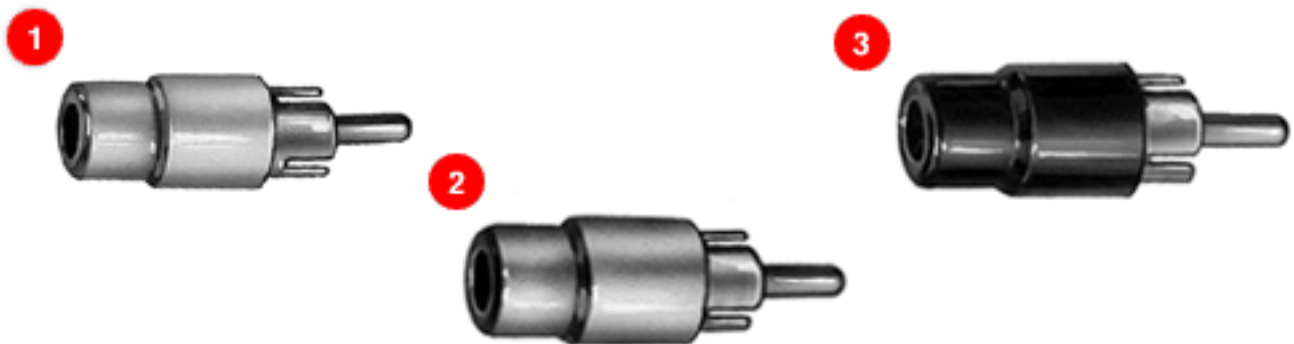
Pin: Copper alloy; nickel-plated or gold-plated.

Sleeve: Copper alloy; nickel-plated or gold-plated.

Handle: Copper alloy; nickel-plated or black epoxy finished.

Cable Clamp: C.R.S., electrotin-plated.

Insulator: Rigid plastic.



1. Number 35581

2. Number 35585

3. Number 35582

Part Number 3502L Same as 3502, except that it accepts cables up to .25 inch diameter.

Part Number 35581 2-conductor phono plug with red plastic snap-on handle for color coding. Has cable clamp and accepts cables up to .203 inch (5.16 mm) diameter

Part Number 35582: Same as 35581, except with black handle.

Part Number 35585: Same as 35581, except with white handle.

MM Conversions					
Series	Catalog Dim.	+ tol/- tol	Range	mm equiv.	Use
Series 139	1.585			40.259	40.26
3502	1.030			26.162	26.16
	0.125			3.175	3.18
	0.437			11.0998	11.10
	0.312			7.9248	7.92
	1.085			27.559	27.56
	0.406			10.3124	10.31
	0.290			7.366	7.37

[Previous Page](#) | [Return to Index](#) | [Next Page](#)

To search a category please click on the corresponding icon:

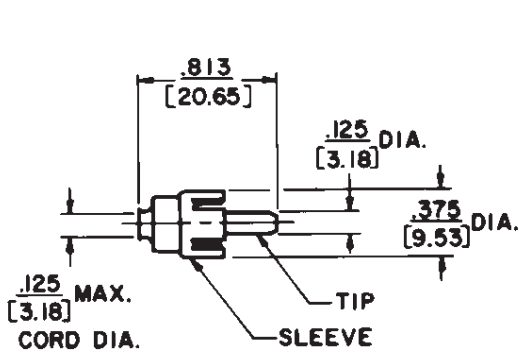


| [Connectors](#) | [Jacks and Plugs](#) |
| [Patch Panels, Patch Kits & Jackfields](#) | [Cable Assemblies and Patch Cords](#) | [Switches](#) |

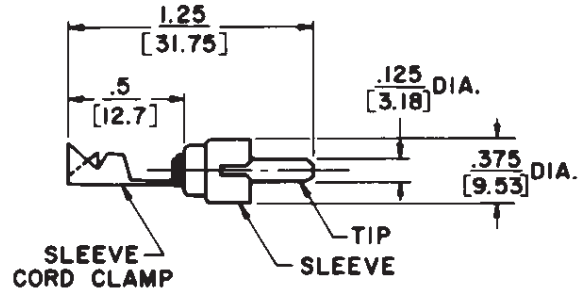
All products shown are covered by Switchcraft's limited lifetime warranty.

SWITCHCRAFT, INC. 5555 N. Elston Ave.
Chicago, IL 60630 • 773 792-2700 • FAX: 773 792-2129
www.switchcraft.com

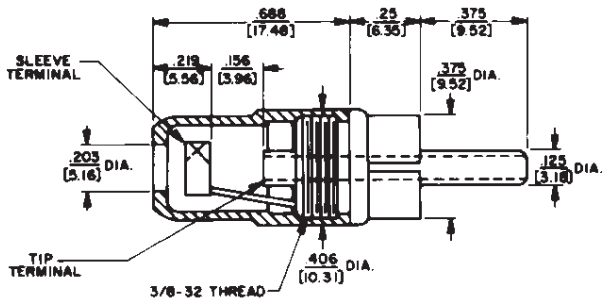
PHONO PLUGS



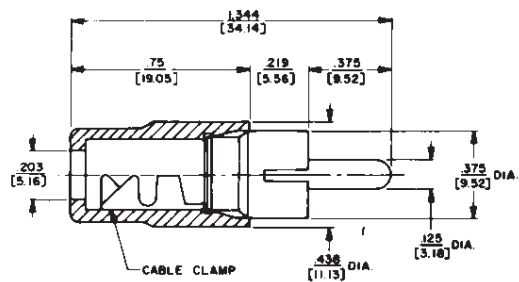
Part Number 3501M



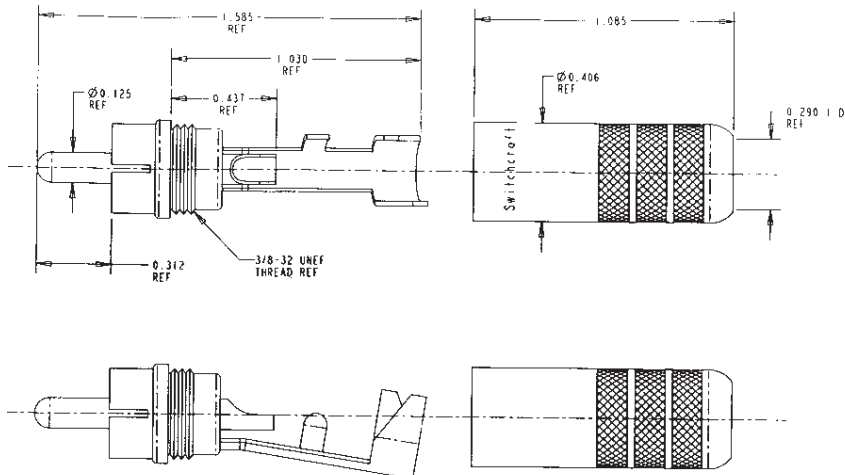
Part Number 3501MC



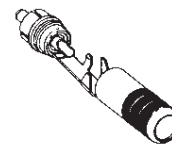
Part Number 3502



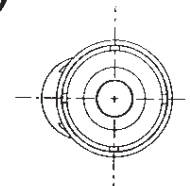
Part Number 3502L



Part Number 3502A



SCALE 1:1



DIMENSIONS ARE FOR REFERENCE ONLY

Inch
(mm)