



Circular Adapters



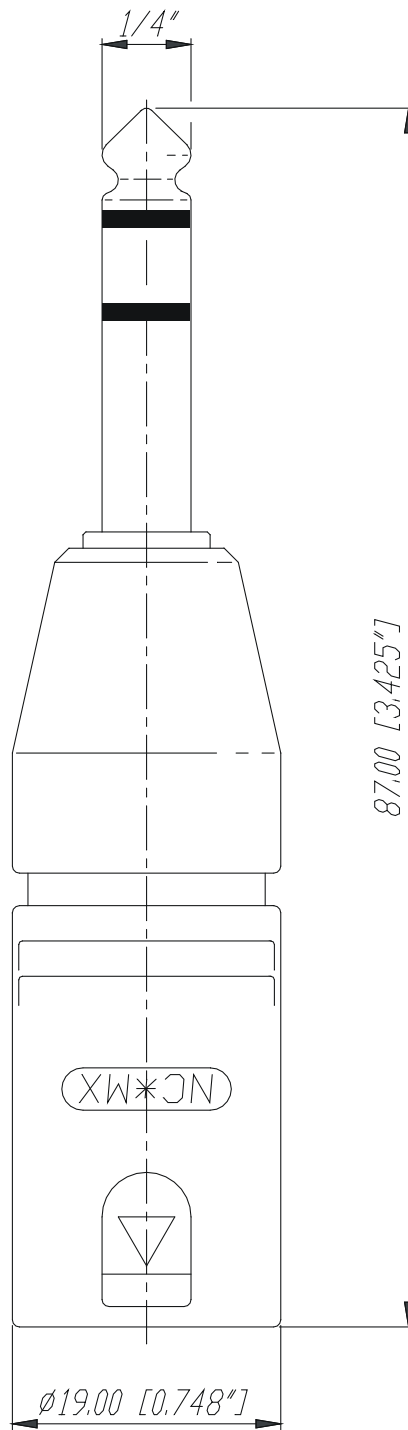
NA3MP

3 pole XLR male - stereo 1/4" plug (Tip, Ring, Sleeve contact)

Features & Benefits

- Versatile, pre-wired and ready to use adapters to reliably interlock various connector systems
- Professional look and compact space saving design, based on the X Series (XLR worldwide accepted standard)
- Rugged diecast shell for best reliability

NA3MP

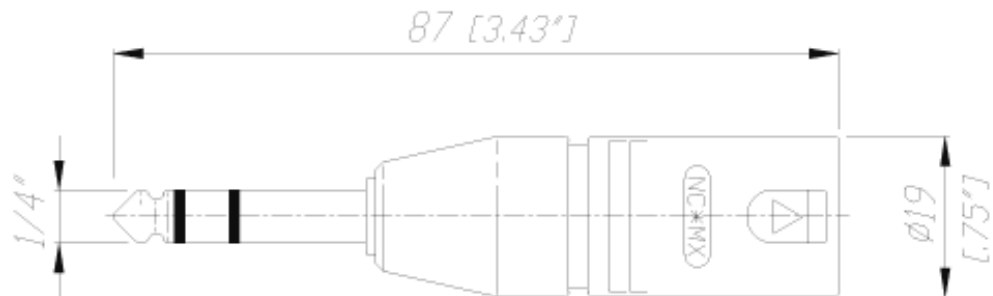


					Werkstoff:	Massstab:		Datum	Name
				*Lieferant darf ohne Ruecksprache nicht geaendert werden		2:1	Gezeichnet	15.05.98	Alinjak
				Zeichnung urheberrechtlich geschuetzt (DIN 34) (C)			Geprueft		
				Benennung:			Gesehen		
					NA3MP		Ersetzt durch:		Blatt
							Ersatz fuer:		von Blatt
					NEUTRIK AG FL-9494 SCHAAN		Zeichn. Nr.	3102 St 03 10	
Ind.	Aenderung	Datum	Name						



Circular Adapters

NA3MP



There are no technical infos for this product.

Product	
Connector Type	Adapter
Electrical	
Contact resistance	$\leq 3 \text{ m}\Omega$ (XLR)
Dielectric strength	1.5 kV dc / > 1 kVdc (XLR/Plug)
Insulation resistance	> 2 G Ω
Mechanical	
Locking device	Latch lock
Material	
Contact plating	2 μm Ag/2 μm Ni
Contacts	Brass (CuZn39Pb3) (XLR)
Contacts	Brass (CuZn39Pb3) (plug)
Insert	Polyamide (PA 6.6 30 % GR)
Shell	Zinc diecast (ZnAl4Cu1)
Shell plating	gal Cu/Ni
Environmental	
Temperature range	-20 °C to +65 °C
Optical	
Mobile Cables	