



Audio

## MPR-HD Series



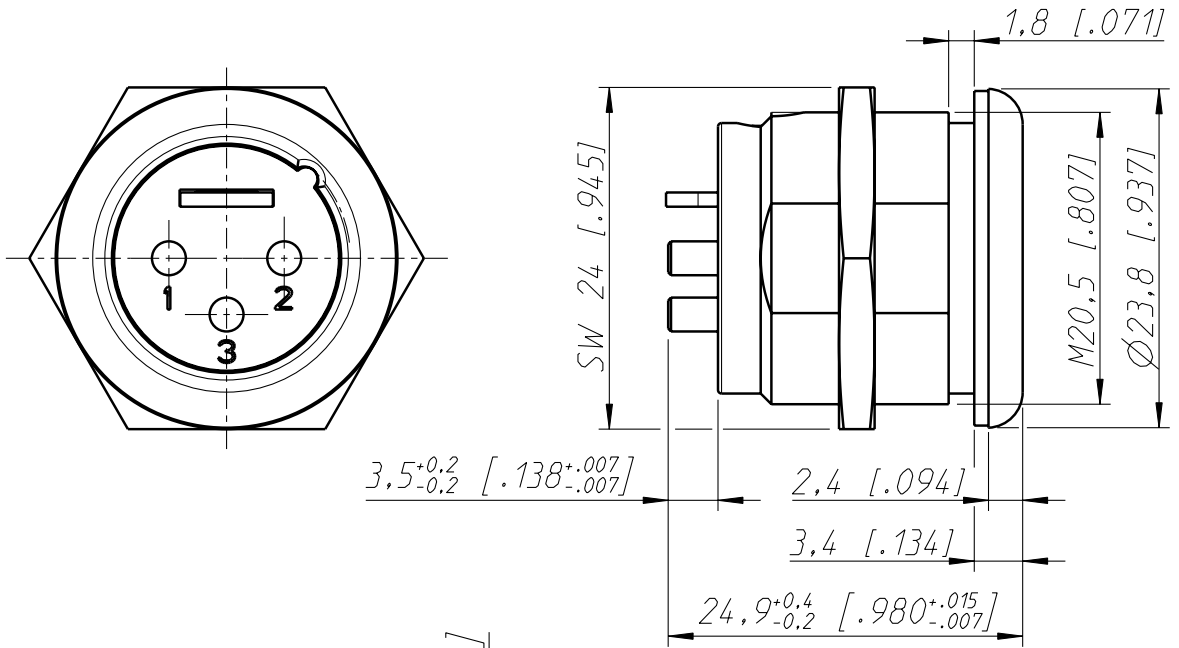
### NC3MPR-HD

Heavy duty sealed male 3-pole XLR chassis connector for outdoor use. Dust and water ingress sealing to IP65 rating is achieved by using HD cable connector (NC3FX-HD).

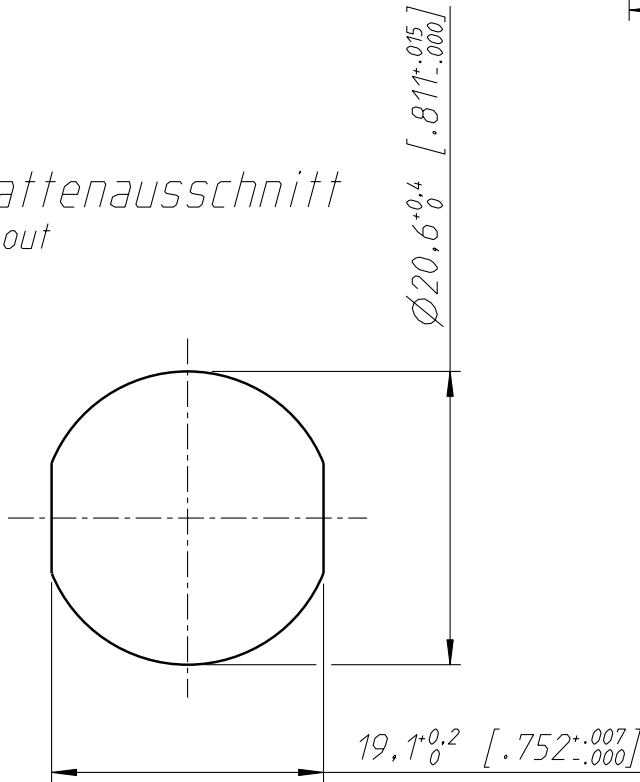
These chassis connectors can be used perfectly for outdoor and weatherproof applications as well as in a wide range of industrial applications.

#### Features & Benefits

- IP 65 - in combination with NC3FX-HD cable connector
- Perfect for outdoor applications
- Sealing gasket for water tight panel mount
- Gold plated contacts
- Fastening nut included



Frontplattenausschnitt  
Panel cut out



Allgemeintoleranzen ISO 2768-m	Werkstoff	Massstab:	Datum	Name	
Zeichnung urheberrechtlich geschuetzt (DIN 34) (C)	-	2:1	Gezeichnet	18.02.05	Mijatovic
	-	(A4)	Freigegeben	-	-
	-		Geaendert	17.01.07	Ender
Benennung NC 3MPR-HD NC 3MPR-HD			Aend.-Nr. -	Aend.-Index A	
NEUTRIK AG FL-9494 SCHAAN			Ersatz fuer:	Blatt 1 von 1 Bl.	
			Zeichn. Nr.	ST-NC 3MPR-HD	



## MPR-HD Series

### NC3MPR-HD

There are no technical infos for this product.

#### Product

Connector Type	XLR
Gender	male

#### Electrical

Capacitance between contacts	$\leq 4$ pF
Contact resistance	$\leq 5$ m $\Omega$
Dielectric strength	1,5 kVdc
Insulation resistance	$> 2$ G $\Omega$ (initial)
Insulation resistance	$> 1$ G $\Omega$ (after damp heat test)
Rated current per contact	16 A
Rated voltage	50 V

#### Mechanical

Insertion force	$< 35$ N
Wiring	Solder contacts
Locking device	latch lock
Mounting direction	front
Chassis shape	P

#### Material

Contact plating	0.2 $\mu$ m Au over 2 $\mu$ m Ni
Contacts	Brass (CuZn39Pb3)
Insert	Polyamide (PA 6.6 30 % GR)
Gasket	Tesnit®
Shell	Zinc diecast (ZnAl4Cu1)
Shell plating	Nickel

#### Environmental

Standard compliance	IEC 61076-2-103
Protection class	IP 65
Solderability	Complies with IEC 68-2-20

#### Optical

#### Mobile Cables