



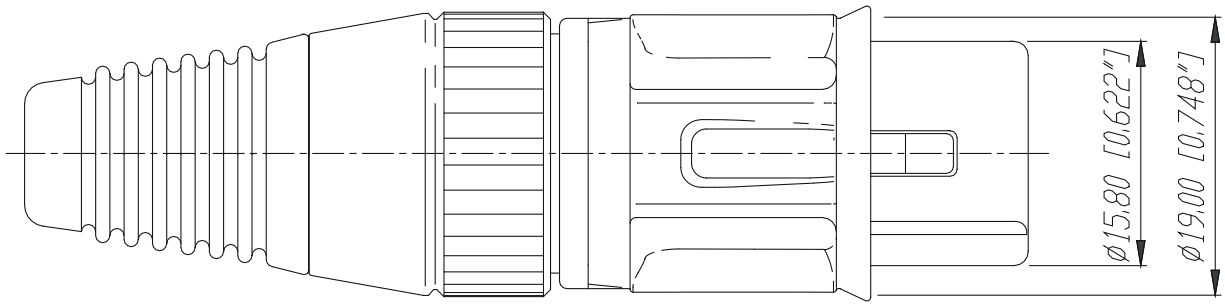
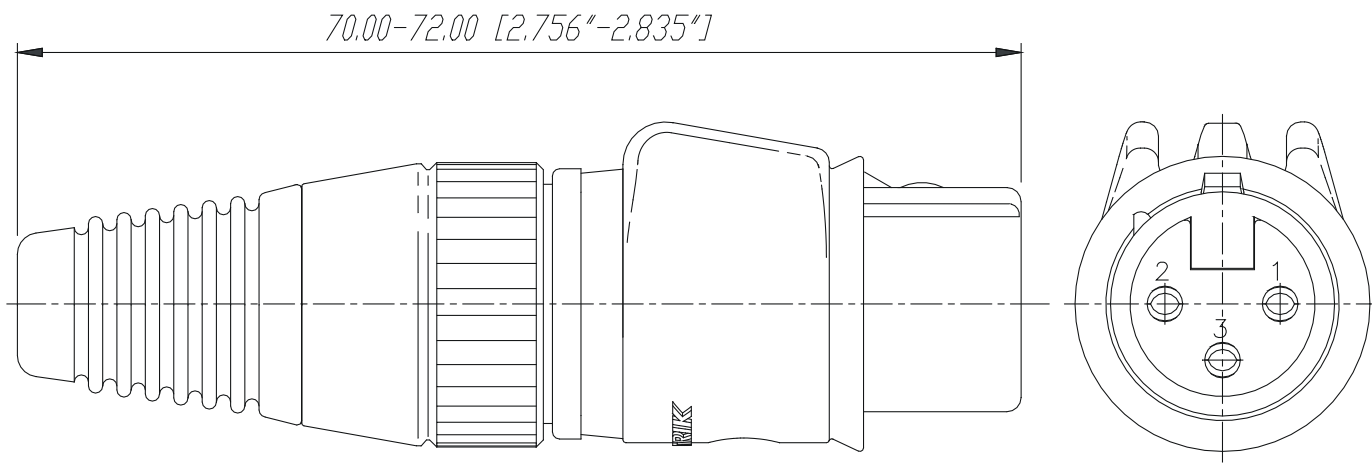
NC3FX-HD



The X-HD Series is a "heavy duty" XLR cable connector for outdoor use. All metal design, dust and water protected according to IP 65. Gold contacts are standard.
3 pole female cable connector, "heavy duty", all metal design, gold contacts

Features & Benefits

- "Heavy duty" cable connector for outdoor use
- All metal design
- NC*FX-HD mates with NC*MPR-HD chassis connector and NC*MX-HD cable connector
- Dust and water protected according IP 65 in mated condition
- Gold contacts
- Chuck type strain relief system for secure clamping of cables
- Boot with rubber gland gives high protection against bending stresses



					Werkstoff:	Massstab:		Datum	Name
				*Lieferant darf ohne Ruecksprache nicht geaendert werden		2:1	Gezeichnet	10.06.92	Alinjak
				Zeichnung urheberrechtlich geschuetzt (DIN 34) (C)			Geprueft		
				Benennung:	X-HD Serie NC3FX-HD		Gesehen		
							Ersetzt durch:		Blatt
							Ersatz fuer:		von Blatt
							Zeichn. Nr.	3102 St 08 06	
Ind.	Aenderung	Datum	Name	NEUTRIK AG FL-9494 SCHAAN					



X-HD Series

NC3FX-HD



There are no technical infos for this product.

Product	
Connector Type	XLR
Gender	female
Electrical	
Capacitance between contacts	$\leq 4 \text{ pF}$
Contact resistance	$\leq 3 \text{ m}\Omega$
Dielectric strength	1,5 kVdc
Insulation resistance	$> 2 \text{ G}\Omega$ (initial)
Insulation resistance	$> 1 \text{ G}\Omega$ (after damp heat test)
Rated current per contact	16 A
Rated voltage	50 V
Mechanical	
Cable O.D.	3.5 - 8.0 mm
Insertion force	$\leq 20 \text{ N}$
Withdrawal force	$\leq 20 \text{ N}$
Lifetime	> 1000 mating cycles
Wire size	max. 2.5 mm^2
Wire size	max. 14 AWG
Wiring	Solder contacts

Locking device	Latch lock
Material	
Boot	Polyuretan
Bushing	Stainless steel
Contact plating	0.2 µm Au hard alloy over 2 µm Ni
Contacts	Bronze (CuSn8)
Insert	Polyamide (PA 6.6 30 % GR)
Locking element	St3K32 (latch) / Ck 67 (spring)
Shell	Stainless steel
Shell plating	none
Strain relief	Polyacetal (POM)
Sealing jacket	EPDM
Environmental	
Approvals	UL
Flammability	UL 94 HB
Standard compliance	IEC 61076-2-103
Protection class	IP 65
Solderability	Complies with IEC 68-2-20
Temperature range	-30 °C to +80 °C
Optical	
Mobile Cables	