



## NC4FRX-B



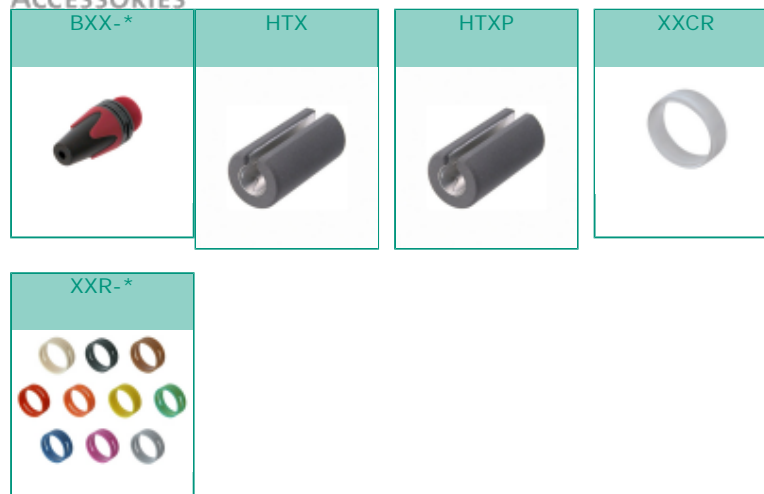
The RX Series is the right angle version of the XX cable connector series. The successor of the RC series offers several new features which make it more reliable, easier to assemble and improves contact integrity as well cable strain relief.

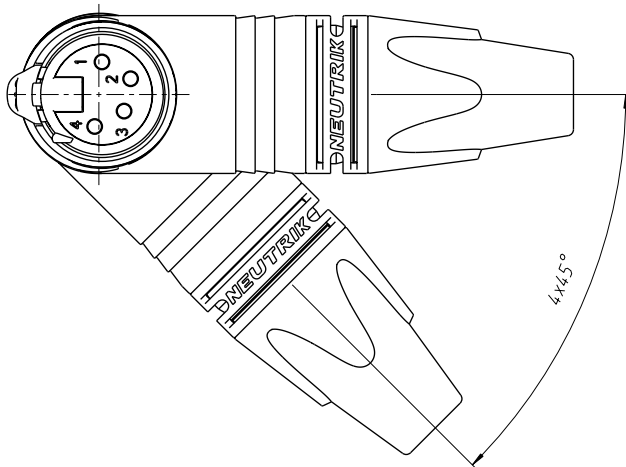
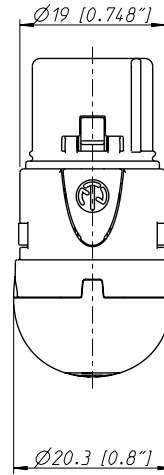
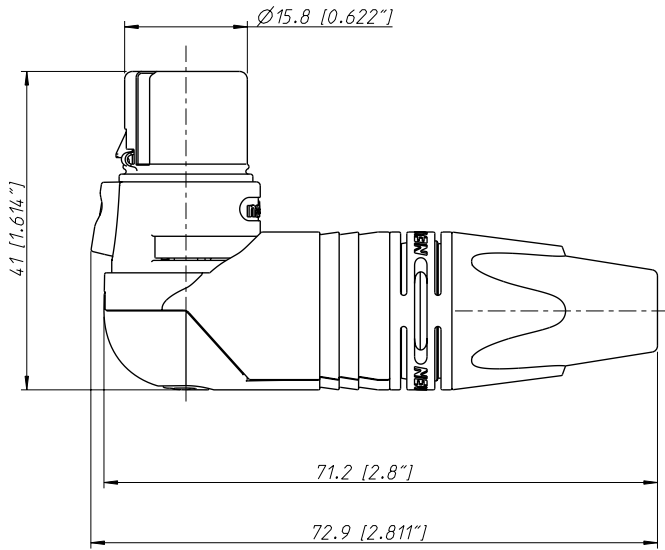
4 pole right angle female cable connector, black metal housing, gold contacts

### Features & Benefits

- Extra slim right-angle connector
- 5 selectable cable outlet positions
- Unique cage design of female contact for low contact resistance and high integrity
- Female contact incorporates a solder barrier to prevent solder running into the contact mating area
- Female connector with improved solid metal latch which is larger and easier to handle
- Additional ground spring contacts for better shell ground continuity
- Improved chuck type strain relief provides higher pull-out force and makes assembly easier and faster
- Boot with polyurethane gland gives high protection to cable bending stresses
- Coloured rings and boots available for coding or identification
- Sleek and ergonomic design - valuable and handy

### ACCESSORIES





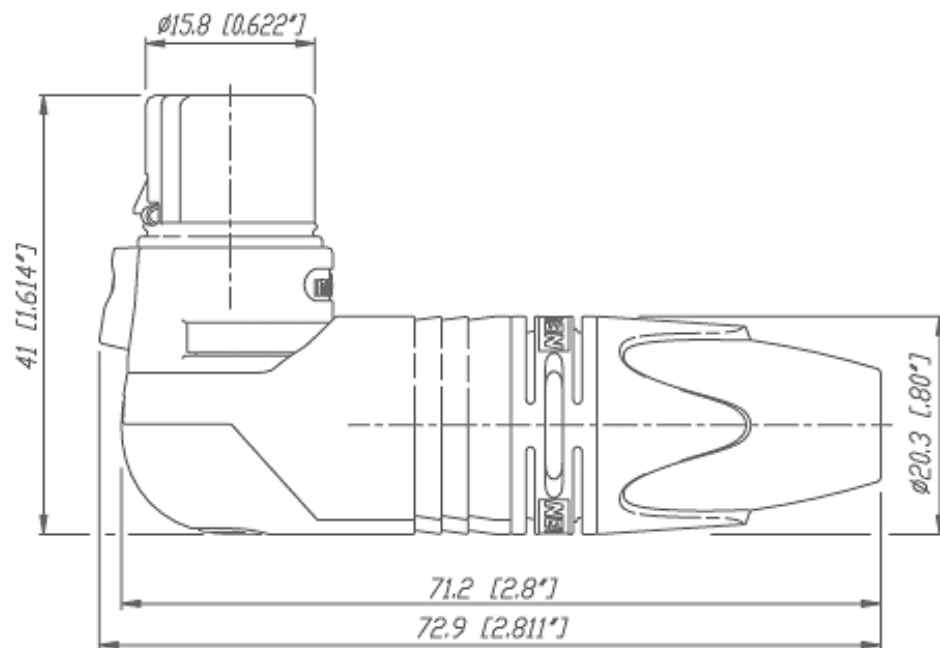
Allgemeintoleranzen ISO 2768-m	Werkstoff	Massstab:	Datum	Name
Zeichnung urheberrechtlich geschützt! (DIN 34) (C)	-	2:1 (A3)	Gezeichnet	11.07.06 julz b
			Freigegeben	-
Benennung			Änd.-Nr.	Änd.-Index
RX-Serie NC4FRX			Ersatz fuer:	Blatt 1 von 2 Bl.
			NEUTRIK AG FL-9494 SCHAAN	



## RX Series

Audio

### NC4FRX-B



There are no technical infos for this product.

Product	
Connector Type	XLR
Gender	female
Electrical	
Capacitance between contacts	$\leq 7$ pF
Contact resistance	$\leq 3$ m $\Omega$
Dielectric strength	1,5 kVdc
Insulation resistance	$> 2$ G $\Omega$ (initial)
Insulation resistance	$> 1$ G $\Omega$ (after damp heat test)
Rated current per contact	10 A
Rated voltage	50 V
Mechanical	
Cable O.D.	3.5 - 8.0 mm
Insertion force	$\leq 20$ N
Withdrawal force	$\leq 20$ N

Lifetime	> 1000 mating cycles
Wire size	max. 1.5 mm <sup>2</sup>
Wire size	max. 16 AWG
Wiring	Solder contacts
Locking device	latch lock

### Material

Boot	Polyuretan
Bushing	Polyamide (PA 6 15% GR)
Contact plating	0.2 µm Au hard alloy over 2 µm Ni
Contacts	Brass (CuZn39Pb3)
Insert	Polyamide (PA 6.6 30 % GR)
Locking element	Zinc diecast (ZnAl4Cu1)
Shell	Zinc diecast (ZnAl4Cu1)
Shell plating	Black chromium
Strain relief	Polyacetal (POM)

### Environmental

Flammability	UL 94 HB
Standard compliance	IEC 61076-2-103
Protection class	IP 40
Solderability	Complies with IEC 68-2-20
Temperature range	-30 °C to +80 °C

### Optical

### Mobile Cables