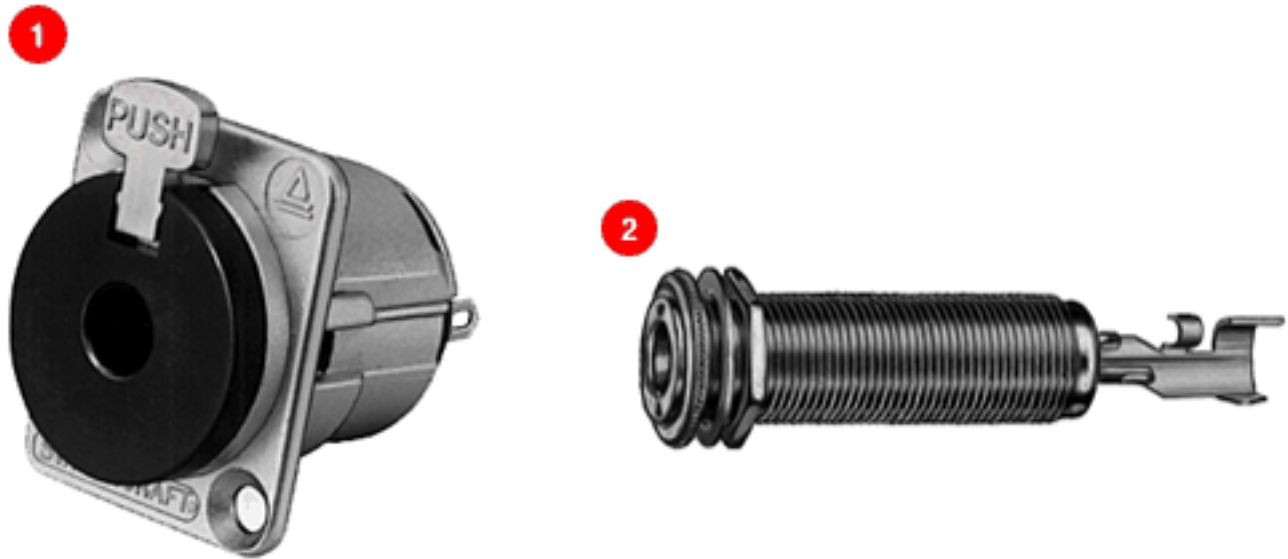


# Switchcraft®

[Previous Page](#) | [Return to Index](#) | [Next Page](#)



## 1/4" PHONE JACKS

### LOCKING AND THICK PANEL PHONE JACKS

- 1. LOCKING PHONE JACK SERIES E**
- 2. THICK PANEL PHONE JACK 151**

[click here to download a schematic drawing](#)

(you will need to have Adobe Acrobat installed on your system to do this)



### LOCKING PHONE JACKS

#### SERIES E

Series E jacks provide stable, secure connections in panels where shock/vibration or accidental disconnect may occur. Plug locks-in automatically upon insertion; press "PUSH" tab to unlock and remove plug. Series E jacks have the same front panel appearance as Series E Q-G® audio connectors.

## **SPECIFICATIONS**

### **MECHANICAL**

**Life:** 10,000 cycles minimum.

### **ELECTRICAL**

**Insulation Resistance:**  $2 \times 10^6$  M(ohm) at 500 V DC per MIL-STD-202, method 302 (initial).

**Dielectric Withstanding Voltage:** 1,000 V AC (rms).

### **ENVIRONMENTAL**

**Thermal Range:** -55°C to +85°C (non-operating); -20°C to +65°C (operating).

**Thermal Shock:** Per MIL-STD-202, method 107.

**Humidity:** Per MIL-STD-202, method 106.

**Salt Spray:** Per MIL-STD-202, method 101.

### **MATERIAL**

**Shell:** Die-cast zinc, with satin nickel-plating.

Black chrome over nickel-plating on special order.

**Insert and Latch:** Thermoplastic, UL 94V-O.

**Latch Release:** Nickel-plated die-cast zinc.

**Contact Springs:** Tin-plated copper alloy.

Part Number	Description	Jack Schematic <sup>1</sup>	Typical Mating Plug <sup>2</sup>
E111L	2-cond., open circuit	I	250
E112BL	3-cond., double open circuit	IV	267

<sup>1</sup> See Jack Schematics, pages 65 and 66  
<sup>2</sup> See Plugs Section

**THICK PANEL PHONE JACKS** Jacks are standard 2- and 3-conductor phone jacks with extra long threaded bushing for mounting in panels/chassis up to 1.25 inches thick. Metal bushing virtually eliminates hum pick-up, and is ideal for electric guitar and speaker connections. Jacks mate with standard commercial phone plugs. See plug section for mating plugs. Jacks mount in a single .469 inch diameter hole. Rugged cable clamp protects connections from twisting and pulling stresses.

## SPECIFICATIONS

### MATERIAL

**Mounting Bushing:** Nickel-plated copper alloy with knurled flange.

**Insulating Spacer:** Rigid plastic.

**Insulator/Spring Mount:** Thermoplastic.

**Springs:** Copper alloy.

**Terminals:** Tip: Copper alloy. Ring: (Number 152B only)

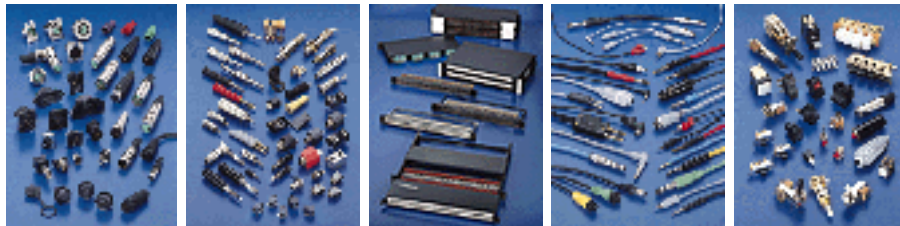
copper alloy. Sleeve: Steel, tin-plated.

**Hardware:** Supplied with one, Number P10531 nickel-plated copper alloy hex nut, and one, Number P1476 nickel-plated copper alloy flat washer.

Part Number	Description	Jack Schematic <sup>1</sup>
151	2-conductor, open circuit	I

[Previous Page](#) | [Return to Index](#) | [Next Page](#)

**To search a category please click on the corresponding icon:**



| [Connectors](#) | [Jacks and Plugs](#) |

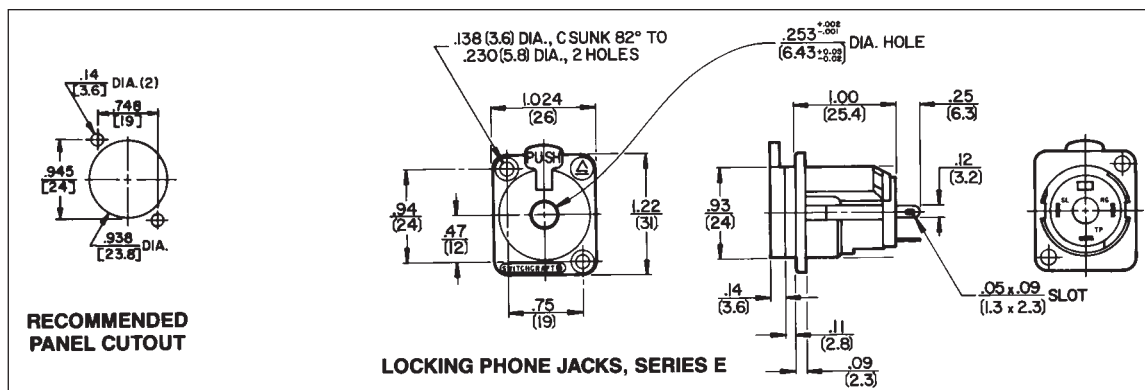
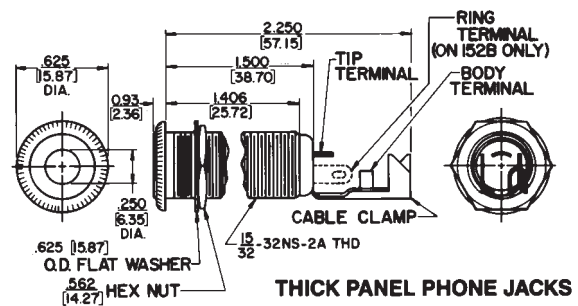
| [Patch Panels, Patch Kits & Jackfields](#) | [Cable Assemblies and Patch Cords](#) | [Switches](#) |

**All products shown are covered by Switchcraft's limited lifetime warranty.**

| [Switchcraft home](#) |

[About Us](#) | [Products](#) | [What's New](#) | [Search](#) | [Contact Us](#)

## 1/4" PHONE JACKS



DIMENSIONS ARE FOR REFERENCE ONLY  $\frac{\text{Inch}}{\text{(mm)}}$

**NOTE:** Contact your Switchcraft Representative for price and delivery.