

[Product Catalog for Electronics Manufacturing](#) > [3M™ Telecommunications OEM Center](#) . . . [3M™ .100" x .100" Preassembled Wiremount Socket, 891 Series](#) > [3M™ .100" x .100" Preassembled Wiremount Socket, 34 Contacts, 89134 Series](#) >

 [Printer-friendly format](#) **3M™ .100" X .100" Wiremount Socket, 34 Contacts, 89134-0103**



.100" x .100" for .050" Pitch Cable, Preassembled, Flat Cable Connector, Center Bump Key, Open Cover, Phosphorus Bronze Contact, 30u" Gold Plating, With Strain Relief

[\[click to enlarge\]](#)

3M Id : 80-6106-5735-7

**Additional Information**

**Learn More . . .**

[3M™.100 in. WMSkt...100"x.100"for .050"PitchCbl, TS0449 - Data Sheet \(PDF 480.7 K\)](#)

**Please Note:**

Adobe® Acrobat® Reader is required to view PDF documents.

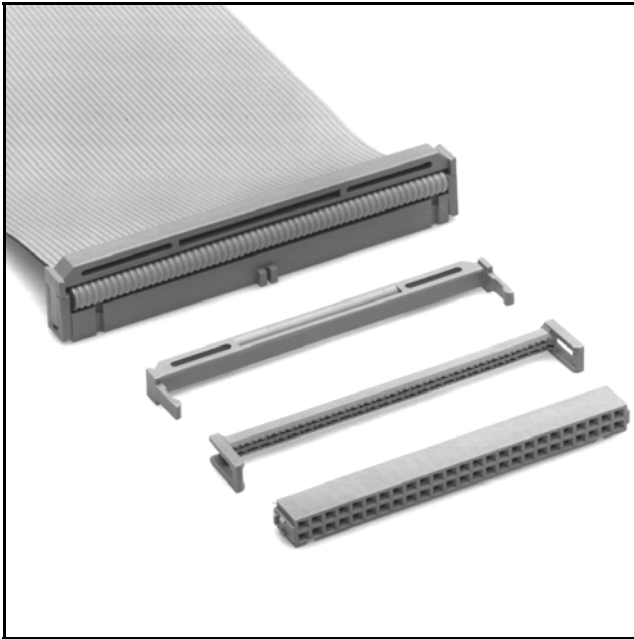


- ▼ **Electronics Manufacturing**
  - ▼ **Product Catalog for Electronics Manufacturing**
    - 3M™ Bonding Tapes & Adhesives
    - 3M™ Electronic Solutions Products
    - 3M™ Electronic Specialty Markets
    - 3M™ Insulation & Protection
    - 3M™ Interconnect Solutions
    - 3M™ Personal Safety Products
    - 3M™ Tapes
    - 3M™ Telecommunications OEM Center
    - Electronic Materials

# 3M™ Wiremount Socket

.100" × .100" for .050" Pitch Cable

891 Series



- Preassembled, terminates faster than two-piece sockets
- "Sword" packaging makes easy loading of manual and semi-automatic assembly equipment
- "Bumps" prevent premature latch locking during shipment
- Military polarization, with or without centerbump
- Optional double-sided adhesive pull tab for easy unplugging
- Double-recessed cover for cable terminating from either side eliminates need for single-recessed cover connectors
- See Regulatory Information Appendix (RIA) for chemical compliance information

Date Modified: December 17, 2007

TS-0449-C  
Sheet 1 of 3

---

## Physical

### Insulation

Material: Glass Filled Polyester (PBT)

Flammability: UL 94V-0

Color: Gray

### Contact

Material: Phosphor Bronze

### Plating:

Underplating: 50 μ" [ 1.27 μm ] Nickel

Wiping Area: 30 μ" [ 0.76 μm ] Gold

Wire Accommodation: 26 and 28 AWG Stranded

Marking: 3M Logo and Orientation Triangle

---

## Electrical

Current Rating: 1 A

Insulation Resistance:  $> 1 \times 10^9 \Omega$  at 500 V<sub>DC</sub>

Withstanding Voltage: 1000 V<sub>RMS</sub> at Sea Level

---

## Environmental

Temperature Rating: -55°C to +105°C

UL File No.: E68080

---

**3M**  
Interconnect Solutions  
<http://www.3M.com/interconnects/>

3M is a trademark of 3M Company.  
For technical, sales or ordering information call  
**800-225-5373**

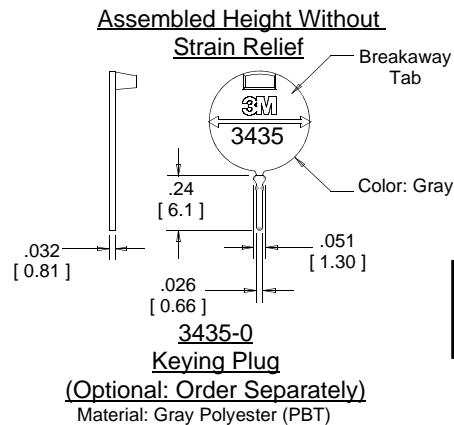
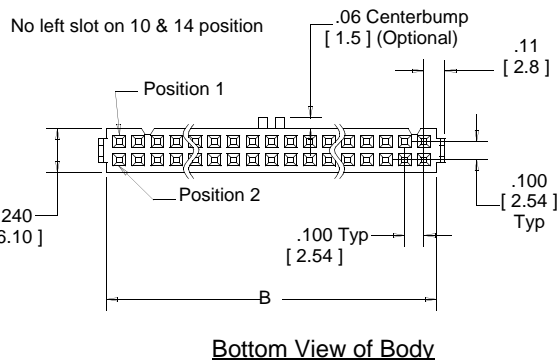
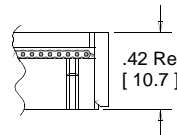
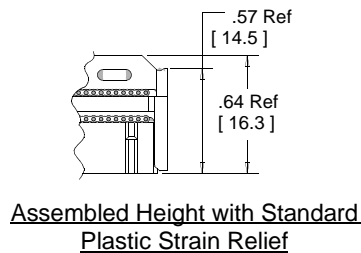
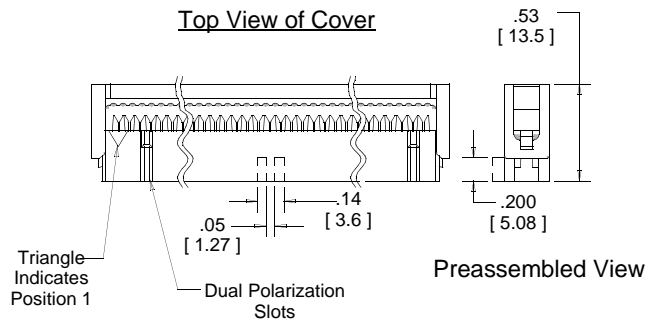
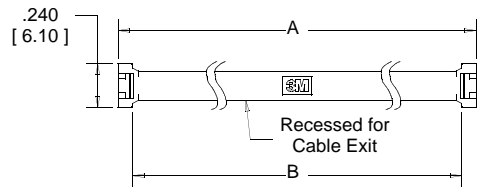
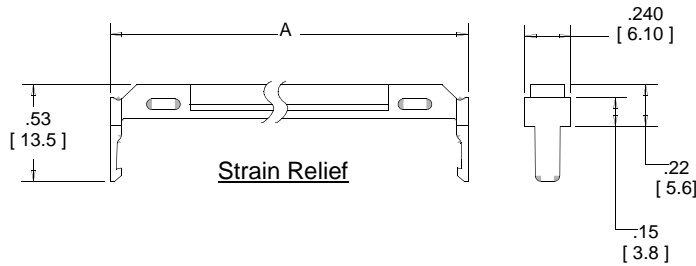
# 3M™ Wiremount Socket

.100" × .100" for .050" Pitch Cable

891 Series



Contact Quantity	Dimensions	
	A	B
10	.68 [ 17.3 ]	.53 [ 13.5 ]
14	.88 [ 22.4 ]	.73 [ 18.5 ]
16	.98 [ 24.9 ]	.83 [ 21.1 ]
20	1.18 [ 30.0 ]	1.03 [ 26.2 ]
24	1.38 [ 35.1 ]	1.23 [ 31.2 ]
26	1.48 [ 37.6 ]	1.33 [ 33.8 ]
30	1.68 [ 42.7 ]	1.53 [ 38.9 ]
34	1.88 [ 47.8 ]	1.73 [ 43.9 ]
36	1.98 [ 50.3 ]	1.83 [ 46.5 ]
40	2.18 [ 55.4 ]	2.03 [ 51.6 ]
44	2.38 [ 60.5 ]	2.23 [ 56.4 ]
50	2.68 [ 68.1 ]	2.53 [ 64.3 ]
60	3.18 [ 80.8 ]	3.03 [ 77.0 ]



Inch [mm]			
Tolerance Unless Noted			
	.0	.00	.000
inch	±.1	±.01	±.005

[ ] Dimensions for Reference Only

## Ordering Information

**Sockets**  
**891XX-0X01**

Package Style Options:  
0 = Preassembled

Polarization Options:  
0 = Without Centerbump  
1 = With Centerbump

Contact Quantity:  
See Table

**Strain Relief**  
**(Order Separately)**  
**3448-891XX**

Contact Quantity:  
See Table

**Pull Tabs**  
**(Order Separately)**  
See TS-0496.

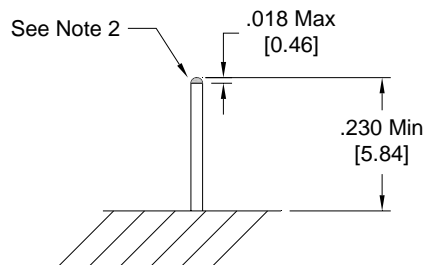
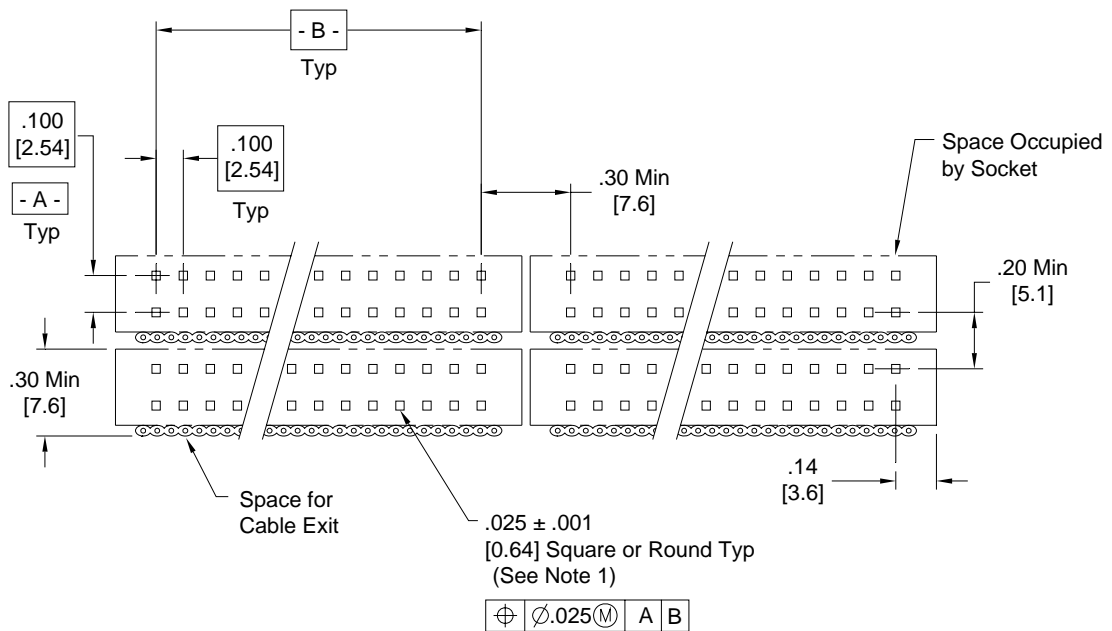
Assembly tools: 3M™ Press (or equivalent) 3640, 3M™ Locator Plate 3443-107N, 3M™ Platen 3442-9.

TS-0449-C  
Sheet 2 of 3

# 3M™ Wiremount Socket

.100" × .100" for .050" Pitch Cable

891 Series



## Recommended Post Pattern

TS-0449-C  
Sheet 3 of 3