



Copyright FCI

form: A3

1 2 3 4 5 6

A

B

C

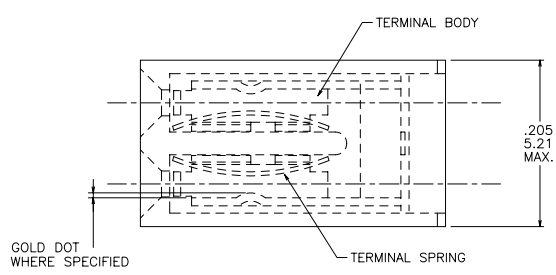
D

A

B

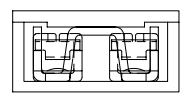
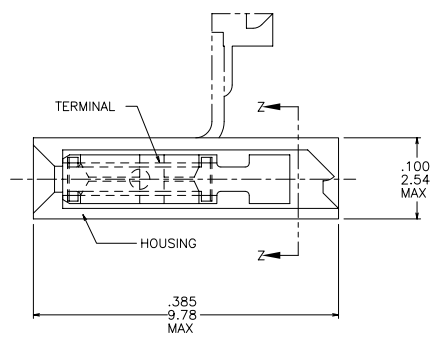
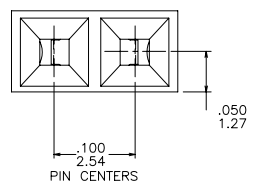
C

D



NOTES:

- ① HOUSING MATERIAL IS FLAME RETARDANT PER UL 94V-0 OR EQUIV.
- ② PRODUCT NUMBER 65474-810 TO BE MARKED "BERG" CAGE 22526, DESC XXXX-XX (NO. TO BE ASSIGNED), AND DATE ON PACKAGING LABEL.
- ③ ADD "LF" SUFFIX AT THE END OF PART NUMBER FOR LEAD FREE OPTION.
- ④ THESE PRODUCTS MEET EUROPEAN UNION DIRECTIVES AND OTHER COUNTRY REGULATIONS AS DESCRIBED IN GS-22-008.
- ⑤ THE PRODUCT IS NOT INTENDED TO BE EXPOSED TO A MANUFACTURING SOLDER PROCESS.
- ⑥ "THIS PRODUCT HAS 100% TIN PLATING IN THE INTERFACE AND HAS NOT BEEN TESTED FOR WHISKERS GROWTH IN ALL INTERCONNECT ENVIRONMENTS."



|                    |                |                          |           |            |                                       |
|--------------------|----------------|--------------------------|-----------|------------|---------------------------------------|
| mat'l. code        |                | surface                  | tolerance | projection | product family                        |
|                    |                | ISO 1302                 | ISO 406   | ISO 1101   | JUMPER                                |
| ltr                | ecn            | no                       | dr        | date       | tolerances unless otherwise specified |
| P                  | V41246         | SAR                      | 11/4/94   |            | angles linear .xxx±.01/.3             |
| R                  | V50585         | SAR                      | 6/26/95   |            | linear .xxx±.005/.13                  |
| S                  | V50969         | SAR                      | 8/3/95    |            | 0°±2' .xxxx±.0020/.051                |
| T                  | M05-0205       | ERE                      | 09/29/05  | dr         | S. ROYER 11/4/94                      |
| U                  | M06-0238       | MN                       | 06/16/06  | enrg       | L. FYE 11/4/94                        |
| V                  | M06-0388       | AGS                      | 10/4/06   | chr        | L. FYE 11/4/94                        |
|                    |                |                          |           | appd       | L. FYE 11/4/94                        |
| sheet index        | revision sheet | v                        | v         |            |                                       |
|                    |                | 1                        | 2         |            |                                       |
| title              |                | product family           |           | JUMPER     |                                       |
| MINI-JUMP ASSEMBLY |                | INCH/MM                  |           | scale 6:1  |                                       |
| .100/2.54cc        |                | F                        |           | FCI        |                                       |
| dwg no             |                | sheet 1 of 2 size        |           | A3         |                                       |
| 65474              |                |                          |           |            |                                       |
| type               |                | Product Customer Drawing |           |            |                                       |

| PRODUCT NUMBER<br>NOTE 3 | HOUSING COLOR                                          | TERMINAL BODY                                |                                                                      | TERMINAL SPRING                                      |                          | HOUSING MATERIAL              |
|--------------------------|--------------------------------------------------------|----------------------------------------------|----------------------------------------------------------------------|------------------------------------------------------|--------------------------|-------------------------------|
|                          |                                                        | MATERIAL                                     | PLATING                                                              | MATERIAL                                             | PLATING                  |                               |
| 65474-001                | BLUE                                                   | .010/.25 THICK 1/4 HD BRASS ALLOY UNS C26000 | STRIPE, 40u"/1.02u Au at CONTACT<br>REMAINDER FLASH Au 50u"/1.27u Ni | .0048/.122 THICK BE-CU ALLOY UNS C17200 HEAT TREATED | P-Ni/M-050<br>P-Au/M-003 | PLAIN POLYESTER NOTE 1        |
| -002                     | BLUE                                                   | .010/.25 THICK 1/4 HD BRASS ALLOY UNS C26000 | SN PLATED                                                            | .0048/.122 THICK BE-CU ALLOY UNS C17200 HEAT TREATED | TIN PLATED               | PLAIN POLYESTER NOTE 1        |
| -003                     | DISCONTINUED                                           |                                              |                                                                      |                                                      |                          |                               |
| -004                     | BLUE                                                   | .010/.25 THICK 1/4 HD CuNi ALLOY UNS C72500  | .001/.03 MIN THICK GOLD DOT                                          | .0048/.122 THICK BE-CU ALLOY UNS C17200 HEAT TREATED | P-Ni/M-050<br>P-Au/M-003 | PLAIN POLYESTER NOTE 1        |
| -005                     | BLACK                                                  | .010/.25 THICK 1/4 HD CuNi ALLOY UNS C72500  | .001/.03 MIN THICK GOLD DOT                                          | .0048/.122 THICK BE-CU ALLOY UNS C17200 HEAT TREATED | P-Ni/M-050<br>P-Au/M-003 | PLAIN NORYL NOTE 1            |
| -006                     | BLACK                                                  | .010/.25 THICK 1/4 HD BRASS ALLOY UNS C26000 | STRIPE, 40u"/1.02u Au at CONTACT<br>REMAINDER FLASH Au 50u"/1.27u Ni | .0048/.122 THICK BE-CU ALLOY UNS C17200 HEAT TREATED | P-Ni/M-050<br>P-Au/M-003 | PLAIN NORYL NOTE 1            |
| -007                     | SAME AS -004 EXCEPT PACKAGING-RESTRICTED               |                                              |                                                                      |                                                      |                          |                               |
| -008                     | SAME AS -004 EXCEPT PACKAGING-RESTRICTED               |                                              |                                                                      |                                                      |                          |                               |
| -009                     | BLUE                                                   | .010/.25 THICK 1/4 HD BRASS ALLOY UNS C26000 | STRIPE, 40u"/1.02u Au at CONTACT<br>REMAINDER FLASH Au 50u"/1.27u Ni | .0048/.122 THICK BE-CU ALLOY UNS C17200 HEAT TREATED | 30u"/.76u Au             | PLAIN NORYL NOTE 1-RESTRICTED |
| -010                     | BLUE                                                   | .010/.25 THICK 1/4 HD BRASS ALLOY UNS C26000 | STRIPE, 30u"/0.76u Au at CONTACT<br>REMAINDER FLASH Au 50u"/1.27u Ni | .0048/.122 THICK BE-CU ALLOY UNS C17200 HEAT TREATED | P-Ni/M-050<br>P-Au/M-003 | PLAIN POLYESTER NOTE 1        |
| 65474-810                | SAME AS -010 EXCEPT ADD SPECIAL MIL MARKING PER NOTE 2 |                                              |                                                                      |                                                      |                          |                               |

FCI  
FCIconnect.com

Copyright FCI

|                                       |                     |                                  |                |                                            |
|---------------------------------------|---------------------|----------------------------------|----------------|--------------------------------------------|
| mat'l. code                           | surface<br>ISO 1302 | tolerance<br>ISO 406<br>ISO 1101 | projection<br> | product family<br>JUMPER                   |
| itr                                   | ecn                 | no                               | dr             | date                                       |
| v                                     |                     |                                  |                |                                            |
| tolerances unless otherwise specified |                     | linear                           | INCH/MM        | title<br>MINI-JUMP ASSEMBLY<br>.100/2.54cc |
| angles                                | 0°±2'               | linear                           | scale 6:1      | dwg no<br>65474                            |
| dr                                    | S. ROYER            | 11/4/94                          |                | sheet 2 of 2 size<br>A3                    |
| enrg                                  | L. FYE              | 11/4/94                          |                | type Product Customer Drawing              |
| chr                                   | L. FYE              | 11/4/94                          |                |                                            |
| appd                                  | L. FYE              | 11/4/94                          |                |                                            |
| sheet index                           | revision sheet      |                                  |                |                                            |

PDM: Rev:V STATUS:Released Printed: Apr 23, 2011