



Copyright FCI

form: A3

1 2 3 4 5 6

A

B

C

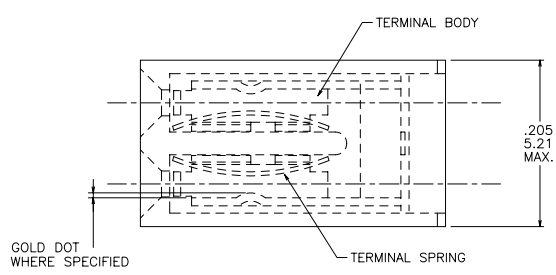
D

A

B

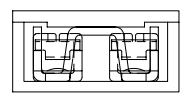
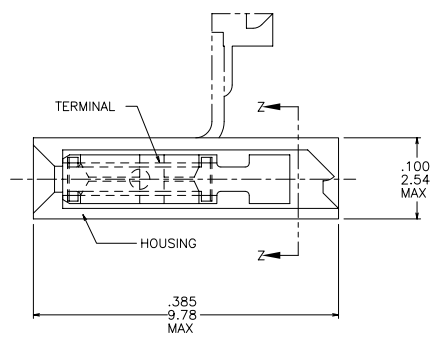
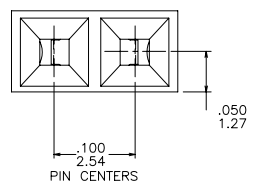
C

D



NOTES:

- ① HOUSING MATERIAL IS FLAME RETARDANT PER UL 94V-0 OR EQUIV.
- ② PRODUCT NUMBER 65474-810 TO BE MARKED "BERG" CAGE 22526, DESC XXXX-XX (NO. TO BE ASSIGNED), AND DATE ON PACKAGING LABEL.
- ③ ADD "LF" SUFFIX AT THE END OF PART NUMBER FOR LEAD FREE OPTION.
- ④ THESE PRODUCTS MEET EUROPEAN UNION DIRECTIVES AND OTHER COUNTRY REGULATIONS AS DESCRIBED IN GS-22-008.
- ⑤ THE PRODUCT IS NOT INTENDED TO BE EXPOSED TO A MANUFACTURING SOLDER PROCESS.
- ⑥ "THIS PRODUCT HAS 100% TIN PLATING IN THE INTERFACE AND HAS NOT BEEN TESTED FOR WHISKERS GROWTH IN ALL INTERCONNECT ENVIRONMENTS."



SECTION ZZ

mat'l. code		surface ISO 1302 ✓		tolerance ISO 406 ISO 1101		projection ISO 1101		product family JUMPER	
ltr	ecn	no	dr	date		tolerances unless otherwise specified		title	
P	V41246	SAR	11/4/94	angles		linear .xxx±.01/3		MINI-JUMP ASSEMBLY	
R	V50585	SAR	6/26/95	0°±2'		linear .xxx±.005/.13		.100/2.54cc	
S	V50969	SAR	8/3/95			linear .xxx±.0020/.051		scale 6:1	
T	M05-0205	ERE	09/29/05	dr	S. ROYER	11/4/94			
U	M06-0238	MN	06/16/06	enrg	L. FYE	11/4/94			
V	M06-0388	AGS	10/4/06	chr	L. FYE	11/4/94			
				appd	L. FYE	11/4/94			
sheet index	revision sheet	v	v						
		1	2						

PRODUCT NUMBER NOTE 3	HOUSING COLOR	TERMINAL BODY		TERMINAL SPRING		HOUSING MATERIAL
		MATERIAL	PLATING	MATERIAL	PLATING	
65474-001	BLUE	.010/.25 THICK 1/4 HD BRASS ALLOY UNS C26000	STRIPE, 40u"/1.02u Au at CONTACT REMAINDER FLASH Au 50u"/1.27u Ni	.0048/.122 THICK BE-CU ALLOY UNS C17200 HEAT TREATED	P-Ni/M-050 P-Au/M-003	PLAIN POLYESTER NOTE 1
-002	BLUE	.010/.25 THICK 1/4 HD BRASS ALLOY UNS C26000	SN PLATED	.0048/.122 THICK BE-CU ALLOY UNS C17200 HEAT TREATED	TIN PLATED	PLAIN POLYESTER NOTE 1
-003	DISCONTINUED					
-004	BLUE	.010/.25 THICK 1/4 HD CuNi ALLOY UNS C72500	.001/.03 MIN THICK GOLD DOT	.0048/.122 THICK BE-CU ALLOY UNS C17200 HEAT TREATED	P-Ni/M-050 P-Au/M-003	PLAIN POLYESTER NOTE 1
-005	BLACK	.010/.25 THICK 1/4 HD CuNi ALLOY UNS C72500	.001/.03 MIN THICK GOLD DOT	.0048/.122 THICK BE-CU ALLOY UNS C17200 HEAT TREATED	P-Ni/M-050 P-Au/M-003	PLAIN NORYL NOTE 1
-006	BLACK	.010/.25 THICK 1/4 HD BRASS ALLOY UNS C26000	STRIPE, 40u"/1.02u Au at CONTACT REMAINDER FLASH Au 50u"/1.27u Ni	.0048/.122 THICK BE-CU ALLOY UNS C17200 HEAT TREATED	P-Ni/M-050 P-Au/M-003	PLAIN NORYL NOTE 1
-007	SAME AS -004 EXCEPT PACKAGING-RESTRICTED					
-008	SAME AS -004 EXCEPT PACKAGING-RESTRICTED					
-009	BLUE	.010/.25 THICK 1/4 HD BRASS ALLOY UNS C26000	STRIPE, 40u"/1.02u Au at CONTACT REMAINDER FLASH Au 50u"/1.27u Ni	.0048/.122 THICK BE-CU ALLOY UNS C17200 HEAT TREATED	30u"/.76u Au	PLAIN NORYL NOTE 1-RESTRICTED
-010	BLUE	.010/.25 THICK 1/4 HD BRASS ALLOY UNS C26000	STRIPE, 30u"/0.76u Au at CONTACT REMAINDER FLASH Au 50u"/1.27u Ni	.0048/.122 THICK BE-CU ALLOY UNS C17200 HEAT TREATED	P-Ni/M-050 P-Au/M-003	PLAIN POLYESTER NOTE 1
65474-810	SAME AS -010 EXCEPT ADD SPECIAL MIL MARKING PER NOTE 2					

mat'l. code	surface ISO 1302	tolerance ISO 406 ISO 1101	projection 	product family JUMPER
ltr	ecn	no	dr	date
v				
tolerances unless otherwise specified			title	
angles	linear	XXXL.01/3	MINI-JUMP ASSEMBLY	
0'±2'		.XXXL.005/.13	.100/2.54cc	
		.XXXL.0020/.051	scale 6:1	
dr	S. ROYER	11/4/94	sheet 2 of 2 size	
enrg	L. FYE	11/4/94	65474 A3	
chr	L. FYE	11/4/94	type Product Customer Drawing	
appd	L. FYE	11/4/94		
sheet index	revision sheet			

PDM: Rev:V STATUS:Released Printed: Apr 23, 2011