

# 3M™ Pak 100 Shunt

.100" Midgie

929 Series



- Unique C-Spring contact insures balanced forces
- Compatible with .025" pins
- 10 and 30 micro inch gold plating options
- Stackable end-to-end and side-to-side
- Color coded for easy identification
- RoHS\* compliant

Date Modified: February 7, 2005

TS-0200-10  
Sheet 1 of 2

---

## Physical

### Insulation

Material: Glass Filled Polyester (PBT)

Flammability: UL 94V-0

Color: Black, Blue and Gray

### Contact

Material: Copper Alloy (C688)

### Plating:

Underplating and U-Slot: 50 μ" [ 1.27 μm ] Nickel - QQ-N-290, Class 2

### Wiping Area:

Black: Unplated

Blue: 10 μ" [ 0.25 μm ] Gold - MIL-G-45204, Type II, Grade C

Gray: 30 μ" [ 0.76 μm ] Gold - MIL-G-45204, Type II, Grade C

Marking: 3M Logo

---

## Electrical

Current Rating: 1 A

Insulation Resistance:  $> 1 \times 10^9 \Omega$  at 500 VDC

Withstanding Voltage: 1500 Vrms at Sea Level

---

## Environmental

Temperature Rating: -55°C to +100°C

UL File No.: E68080

\*RoHS = Directive 2002/95/EC  
Restriction of the Use of Certain Hazardous Substances in Electrical and Electronic Equipment

---

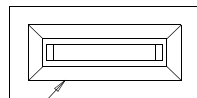
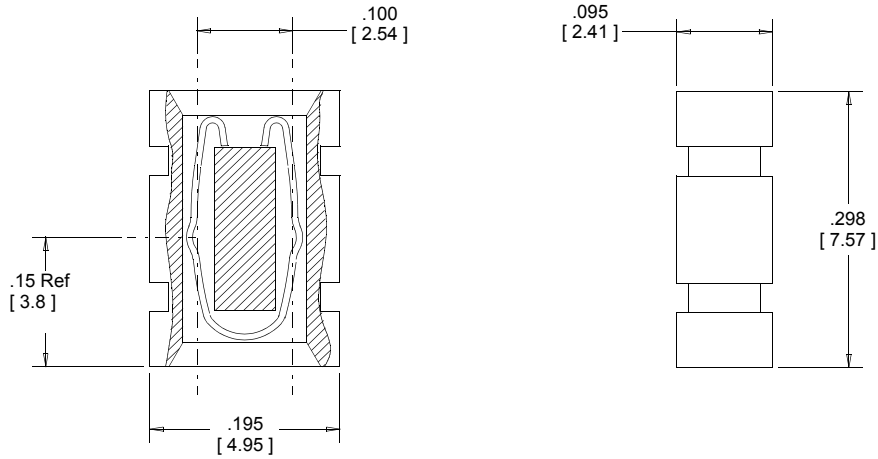
**3M**  
Interconnect Solutions  
<http://www.3M.com/interconnects/>

3M is a trademark of 3M Company.  
For technical, sales or ordering information call  
**800-225-5373**

# 3M™ Pak 100 Shunt

.100" Midgie

929 Series



Recommended that the header pins enter this end of the connector housing. (See Note 1)



Inch  
[mm]

Tolerance Unless Noted			
	.0	.00	.000
inch	±.1	±.01	±.005

[ ] Dimensions for Reference Only

**Notes:**

1. Recommended installation is with the 3M logo on top. Reference the contact design to help assure proper installation.
2. Recommended to be mated to .025" [ 0.64 ] round or square header pins.

## Ordering Information

**92995X-XX**

Color/Plating Options:  
 0-00 = Black/Unplated  
 5-06 = 10µ " Blue/Gold  
 7-08 = 30µ " Gray/Gold

TS-0200-10  
 Sheet 2 of 2

## Important Notice

All statements, technical information, and recommendations related to 3M's products are based on information believed to be reliable, but the accuracy or completeness is not guaranteed. Before using this product, you must evaluate it and determine if it is suitable for your intended application. You assume all risks and liability associated with such use. Any statements related to the product which are not contained in 3M's current publications, or any contrary statements contained on your purchase order shall have no force or effect unless expressly agreed upon, in writing, by an authorized officer of 3M.

## Warranty; Limited Remedy; Limited Liability.

This product will be free from defects in material and manufacture for a period of 1 year from the time of purchase. **3M MAKES NO OTHER WARRANTIES INCLUDING, BUT NOT LIMITED TO, ANY IMPLIED WARRANTY OF MERCHANTABILITY OR FITNESS FOR A PARTICULAR PURPOSE.** If this product is defective within the warranty period stated above, your exclusive remedy shall be, at 3M's option, to replace or repair the 3M product or refund the purchase price of the 3M product. **Except where prohibited by law, 3M will not be liable for any indirect, special, incidental or consequential loss or damage arising from this 3M product, regardless of the legal theory asserted.**

# 3M

## Electronic Solutions Division

6801 River Place Blvd.  
Austin, TX 78726-9000  
[www.3M.com/esd](http://www.3M.com/esd)



Minimum 10%  
Post-consumer Fiber

Printed in USA.

© 3M 2005