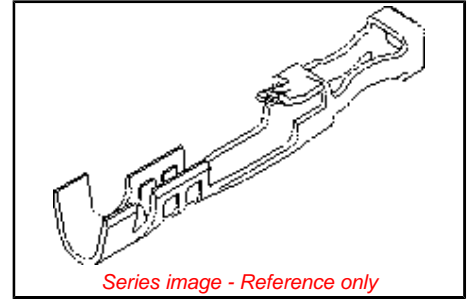


Part Number: [0016021125](#)
Status: **Active**
Overview: [SL](#)
Description: SL™ Crimp Terminal, Series 71851, Female, with 0.38µm (15µ") Selective Gold (Au) Plated Contact, 22-24 AWG, Bag



General

Product Family	Crimp Terminals
Series	71851
Overview	SL
Product Name	SL™

Physical

Gender	Female
Material - Metal	Phosphor Bronze
Material - Plating Mating	Gold
Material - Plating Termination	Tin
Packaging Type	Bag
Plating min: Mating (µin)	15
Plating min: Mating (µm)	0.38
Plating min: Termination (µin)	75
Plating min: Termination (µm)	1.88
Termination Interface: Style	Crimp or Compression
Wire Insulation Diameter	1.63mm (.064") max.
Wire Size AWG	22
Wire Size AWG	24
Wire Size mm²	N/A

Material Info

Old Part Number	71851-0224
-----------------	------------

Reference - Drawing Numbers

Product Specification	PS-70400
Product Specification	PS-71851
Sales Drawing	SD-71851-0224

EU RoHS
ELV and RoHS
Compliant

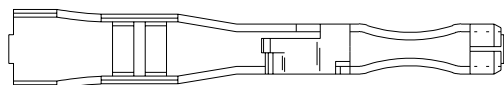
China RoHS



10 | 9 | 8 | 7 | 6 | 5 | 4 | 3 | 2 | 1 | 71851 | 71851

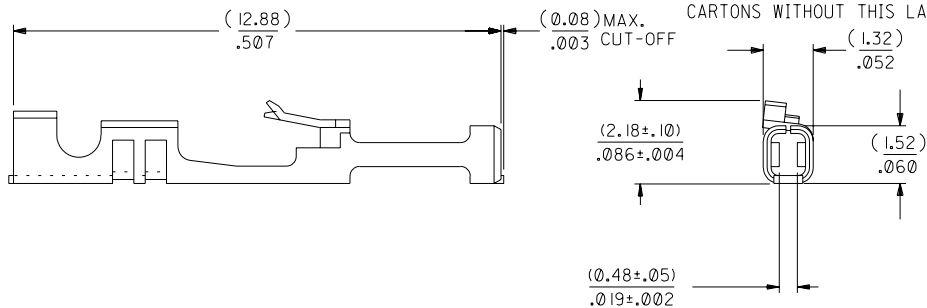
NOTES:

1. TERMINAL TO BE USED IN HOUSINGS 70066-**** AND 70450-****
2. REFER TO PRODUCT SPECIFICATION PS-71851
3. REFER TO MOLEX OPERATIONS AND SERVICE MANUAL FOR CRIMP DETAILS
4. TERMINAL TO BE USED WITH (0.64)/.025 SQUARE PINS
5. TERMINAL TO BE USED WITH 22-24 AWG STRANDED WIRE WITH (1.63)/.064 MAX. DIA. INSULATION
6. TERMINALS SUPPLIED LOOSE PER DRAWING PK-70873-0822



PLATING:

.000015 MINIMUM GOLD PLATE IN SELECT AREA WITH .000075 MINIMUM TIN PLATE IN SELECT AREA OVER NICKEL PLATE OVERALL
 *THE PRIMARY SHIPPING CARTON WILL BE LABELED "COMPLIANT TO RoHS DIRECTIVE 2002/95/EC AND ELV ANNEX II OF DIRECTIVE 2000/53/EC". CARTONS WITHOUT THIS LABEL MAY CONTAIN PRODUCT WITH LEAD.



DIMENSIONS SHOWN (METRIC) INCH		UNLESS OTHERWISE SPECIFIED TOLERANCES: ANGULAR ± 1/2°		▽ = 0 ▼ = 0 REVISE ONLY ON CAD SYSTEM	
		INCH		METRIC	
3 PLACE		± .010		---	
2 PLACE		± .014		± 0.25	
1 PLACE		---		± 0.35	
DRAFT WHERE APPLICABLE MUST REMAIN WITHIN DIMENSIONS					
DRWG. BY: RWHITE		CHK'D. BY: DMORGAN		MOLEX INCORPORATED	
APP'D. BY: SMILLER		SCALE: 10:1		LITSE,ILL. 60932 U.S.A.	
LTR.		REVISIONS		LTR.	
LTR.		REVISIONS		LTR.	
A		INITIAL RELEASE		SHEET NO. 1	
A		UCP2004-2560		DATE 04/06/21	
A		RWHITE 04/06/21		PART NO. 016-02-1125	
A		A		DRWG. NO. SD-71851-0224	
A		A		FILE NAME	
A		A		THIS DRAWING CONTAINS INFORMATION THAT IS PROPRIETARY TO MOLEX INC. AND SHOULD NOT BE USED WITHOUT WRITTEN PERMISSION.	
A		A		DIV. DA	
A		A		SIZE B	

10 | 9 | 8 | 7 | 6 | 5 | 4 | 3 | 2 | 1 | 71851 | 71851

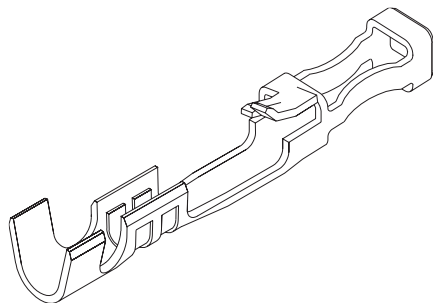
2.54mm (.100") Pitch

SL™

Terminal

71851

Female, High Force Crimp



Features and Benefits

- Dual beam, fully-enclosed box contact
- Higher mating force than standard crimp terminal
- For use with low current/high vibration applications in small circuit sizes
- Dual tab strain relief
- Locking tang secures terminal in housing

Reference Information

Product Specification: PS-71851

Packaging: Reel or bag

Mates With: 70021 male crimp terminals, 70431 and 70475 male connector assemblies and 0.64mm (.025") square pins

Use With: 70066 and 70450 housings

Designed In: Inches

Electrical

Voltage: 250V

Current: 3.0A

Contact Resistance: 15 milliohms max.

Insulation Resistance: 10,000 Megohms min.

Mechanical

Contact Retention to Housing: 17.79N (4.0 lb) min.

Wire Pull-Out Force: 17.79N (4.0 lb) min.

Mating Force: Tin—12.14N (2.73 lb) max.

Gold—5.07N (1.14 lb)

Unmating Force: Tin—3.60N (.81 lb) min.

Gold—2.36N (.53 lb)

Durability: Tin—25 cycles; Gold—50 cycles

Physical

Contact: Copper Alloy

Plating: See Table

Operating Temperature: -40 to +105°C

Wire Gauge: 22 to 24 and 24 to 30 AWG

Not For Use With C-Grid III™ Components

Reel				
Order No.	Plating	Wire Range (AWG) Stranded	Insulation Maximum Outside Diameter	Lead-free
16-02-1111	1	22-24	1.63 (.064)	Yes
16-02-1113		24-30	1.52 (.060)	
16-02-1124	2	22-24	1.63 (.064)	
16-02-0119		24-30	1.52 (.060)	
16-02-1110	3	22-24	1.63 (.064)	
16-02-1112		24-30	1.52 (.060)	

Bag				
Order No.	Plating	Wire Range (AWG) Stranded	Insulation Maximum Outside Diameter	Lead-free
16-02-1115	1	22-24	1.63 (.064)	Yes
16-02-1117		24-30	1.52 (.060)	
16-02-1125	2	22-24	1.63 (.064)	
16-02-1109		24-30	1.52 (.060)	
16-02-1114	3	22-24	1.63 (.064)	
16-02-1116		24-30	1.52 (.060)	

Plating No. 1: 30µm min. Gold in select area over 50µm min. Nickel overall with 75µm Tin

Plating No. 2: 15µm min. Gold in select area over 50µm min. Nickel overall with 75µm Tin in select area

Plating No. 3: 150µm Tin over 50µm Nickel overall

Each reel contains 20,000 terminals

2.54mm (.100") Pitch

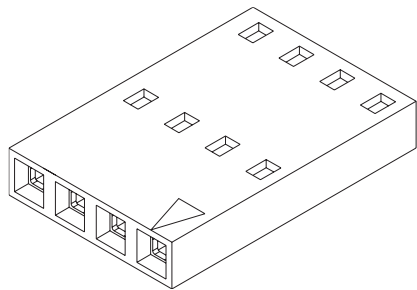
SL™

Crimp Housing

70066

Single Row

Version A, Nonpolarized



Features and Benefits

- Sizes 2 to 25 circuits
- End-to-end and side-to-side stackable for single or dual row connections to a 2.54mm (.100") pitch grid pin field

Reference Information

Product Specification: PS-70400

Packaging: Bag

UL File No.: E29179

CSA File No.: LR19980

Mates With: 2.54mm (.100") pitch, single or dual row headers (C-Grid®, SL, KK®)

Use With: 70058 and 71851 crimp terminals

Designed In: Inches

Physical

Housing: Black polyester, UL 94V-0

Operating Temperature: -40 to +105°C

Delivered on a carrier with 20 pieces per strip.

Actual Size  Universal Polarizing Pin
40713-1
Order No. 15-04-0292

Not For Use With C-Grid III™ Components

Circuits	Order No.
2	50-57-9002
3	50-57-9003
4	50-57-9004
5	50-57-9005
6	50-57-9006
7	50-57-9007
8	50-57-9008
9	50-57-9009

Circuits	Order No.
10	50-57-9010
11	50-57-9011
12	50-57-9012
13	50-57-9013
14	50-57-9014
15	50-57-9015
16	50-57-9016
17	50-57-9017

Circuits	Order No.
18	50-57-9018
19	50-57-9019
20	50-57-9020
21	50-57-9021
22	50-57-9022
23	50-57-9023
24	50-57-9024
25	50-57-9025



MX07 C-7

