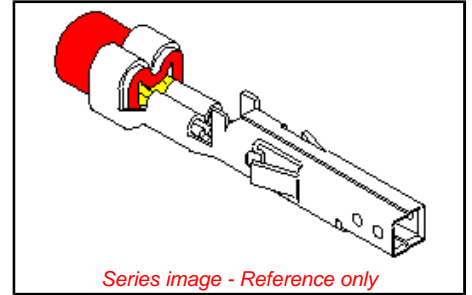


**Part Number:** [0039000182](#)

**Status:** **Active**

**Description:** 4.20mm (.165") Pitch Mini-Fit™ Crimp Terminal, Female, Phosphor Bronze, Gold (Au), 18-24 AWG, Bag



### General

Product Family	Crimp Terminals
Series	5556
Product Name	Mini-Fit®

### Physical

Durability (mating cycles) min	100 cycles
Gender	Female
Material - Metal	Phosphor Bronze
Material - Plating Mating	Gold
Material - Plating Termination	Nickel
Packaging Type	Bag
Plating min: Mating (µin)	30
Plating min: Mating (µm)	0.76
Plating min: Termination (µin)	30
Plating min: Termination (µm)	0.76
Termination Interface: Style	Crimp or Compression
Wire Insulation Diameter	1.30-3.10mm (.051-.122")
Wire Size AWG	18
Wire Size AWG	20
Wire Size AWG	22
Wire Size AWG	24
Wire Size mm²	N/A

### Electrical

Voltage - Maximum	600V
-------------------	------

### Material Info

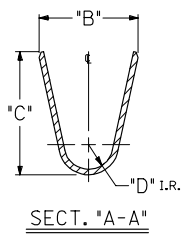
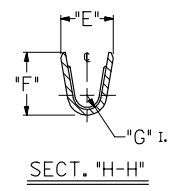
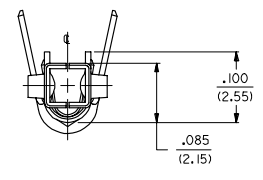
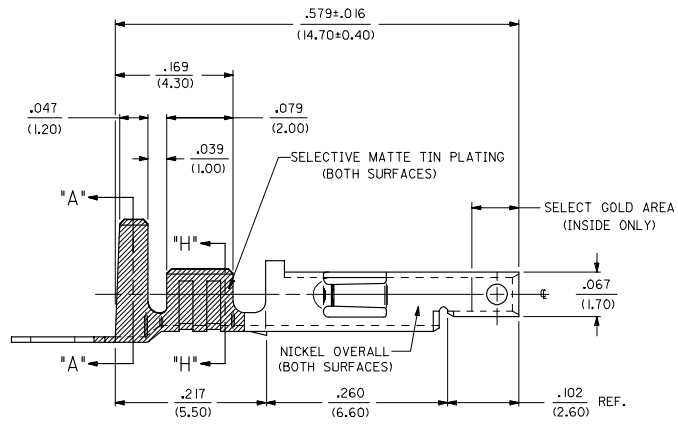
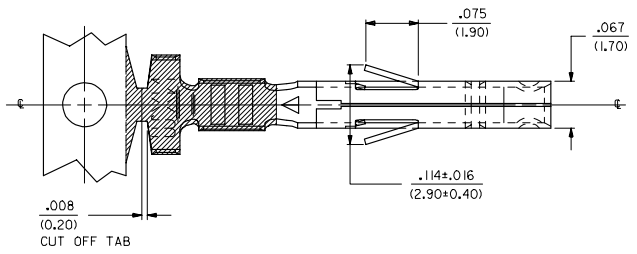
Old Part Number	5556-PBG SPL
-----------------	--------------

**EU RoHS**

**ELV and RoHS  
Compliant**

**China RoHS**





**NOTES:**

1. PART DESIGNED IN METRIC.
2. TERMINAL FOR USE WITH 5557 SERIES HOUSINGS.
3. MATES WITH 5558, 5566 AND 5569 SERIES CONNECTORS.
4. REFER TO DWG. NO. CS-5556\*/5558\* FOR CRIMP SPECIFICATIONS.
5. PRODUCT SPECIFICATION AND PROCESSING PARAMETERS SEE: PS-5556-001, PS-5556-002, PS-5556-003

**MATERIAL:**

- A. CDA 260 BRASS, .0080±.0004/(0.203±0.010) THICK.
- B. CDA 510 PHOS. BRONZE .0080±.0004/(0.203±0.010) THICK.

**PLATING:**

- \*A. SELECTIVE GOLD PLATE .000030/(0.00076) MIN., AND SELECTIVE MATTE TIN .000100/(0.00254) OVER .000050/(0.00127) NICKEL OVERALL.
- \*B. SELECTIVE GOLD PLATE .000015/(0.00038) MIN., AND SELECTIVE MATTE TIN .000100/(0.00254) OVER .000050/(0.00127) NICKEL OVERALL.
- \*C. SELECTIVE GOLD PLATE .000050/(0.00127) MIN., AND SELECTIVE MATTE TIN .000100/(0.00254) OVER .000050/(0.00127) NICKEL OVERALL.
- \*THE PRIMARY SHIPPING CARTON WILL BE LABELED \*COMPLIANT TO RoHS DIRECTIVE 2002/95/EC AND ELV ANNEX II OF DIRECTIVE 2000/53/EC.\*
- CARTONS WITHOUT THIS LABEL MAY CONTAIN PRODUCT WITH TIN-LEAD PLATING.

REMOVE 28-30 GAGE EC NO. UCP2006-1559 DRAWNDWINE 2006/01/11 CHKDCR/PULGAR 2006/01/12 APPR: JCOMERC 2006/01/16	QUALITY SYMBOLS	GENERAL TOLERANCES (UNLESS SPECIFIED)	DIMENSION STYLE IN/MM	SCALE 10:1	DESIGN UNITS METRIC	THIRD ANGLE PROJECTION
	▽=0	4 PLACES ± --- ± ---	DRAWN BY SEP DATE 5/17/90	TITLE	TERMINAL, MINI-FIT JR., FEMALE CRIMP, SELECT GOLD BLANK PLATE FORM	
	▽=0	3 PLACES ± --- ± .010	CHECKED BY RJP DATE 5/17/90	MOLEX INCORPORATED		
	▽=0	2 PLACES ± 0.25 ± .014	APPROVED BY RAS DATE 5/17/90	MATERIAL NO. SEE SHT. 2	DOCUMENT NO. SD-5556-GSP*	SHEET NO. 1 OF 2
REV	DESCRIPTION	ANGULAR ±1/2°	DRAFT WHERE APPLICABLE MUST REMAIN WITHIN DIMENSIONS			
THIS DRAWING CONTAINS INFORMATION THAT IS PROPRIETARY TO MOLEX INCORPORATED AND SHOULD NOT BE USED WITHOUT WRITTEN PERMISSION						

13	12	11	10	9	8	7	6	5	5556	4	3	2	1
PART NO.	ENG. NO.	MAT'L.	PLATE	WIRE GAGE	QUANTITY PER REEL	DIM. "B"	DIM. "C"	DIM. "D"	DIM. "E"	DIM. "F"	DIM. "G"		
39-00-0163	5556-GSP			18-24 GA.	4,000	.142±.012	.177±.016	.035	.075±.012	.091±.016	.020		
39-00-0164	5556-GSPL					(3.60±0.30)	(4.50±0.40)	(0.90)	(1.90±0.30)	(2.40±0.40)	(0.50)		
39-00-0165	5556-GS2P			22-28 GA.	6,000	.091±.012	.091±.016	.024	.071±.012	.065±.016	.016		
39-00-0166	5556-GS2PL					(2.30±0.30)	(2.30±0.40)	(0.60)	(1.80±0.30)	(1.65±0.40)	(0.40)		
39-00-0167	5556-GS3P			16 GA.	4,000	.142±.012	.177±.016	.035	.091±.012	.106±.016	.024		
39-00-0168	5556-GS3PL					(3.60±0.30)	(4.50±0.40)	(0.90)	(2.30±0.30)	(2.70±0.40)	(0.60)		
NOT TOOLED	5556-GS10P			14 GA.	4,000	.142±.012	.177±.016	.035	.091±.012	.114±.016	.024		
NOT TOOLED	5556-GS10PL					(3.60±0.30)	(4.50±0.40)	(0.90)	(2.30±0.30)	(2.90±0.40)	(0.60)		
39-00-0169	5556-GS4P			18-24 GA.	4,000	.142±.012	.177±.016	.035	.075±.012	.091±.016	.020		
39-00-0170	5556-GS4PL					(3.60±0.30)	(4.50±0.40)	(0.90)	(1.90±0.30)	(2.40±0.40)	(0.50)		
39-00-0171	5556-GS5P			22-28 GA.	6,000	.091±.012	.091±.016	.024	.071±.012	.065±.016	.016		
39-00-0172	5556-GS5PL					(2.30±0.30)	(2.30±0.40)	(0.60)	(1.80±0.30)	(1.65±0.40)	(0.40)		
39-00-0173	5556-GS6P			16 GA.	4,000	.142±.012	.177±.016	.035	.091±.012	.106±.016	.024		
39-00-0174	5556-GS6PL					(3.60±0.30)	(4.50±0.40)	(0.90)	(2.30±0.30)	(2.70±0.40)	(0.60)		
NOT TOOLED	5556-GS11P			14 GA.	4,000	.142±.012	.177±.016	.035	.091±.012	.114±.016	.024		
NOT TOOLED	5556-GS11PL					(3.60±0.30)	(4.50±0.40)	(0.90)	(2.30±0.30)	(2.90±0.40)	(0.60)		
39-00-0175	5556-GS7P			18-24 GA.	4,000	.142±.012	.177±.016	.035	.075±.012	.091±.016	.020		
39-00-0176	5556-GS7PL					(3.60±0.30)	(4.50±0.40)	(0.90)	(1.90±0.30)	(2.40±0.40)	(0.50)		
39-00-0177	5556-GS8P			22-28 GA.	6,000	.091±.012	.091±.016	.024	.071±.012	.065±.016	.016		
39-00-0178	5556-GS8PL					(2.30±0.30)	(2.30±0.40)	(0.60)	(1.80±0.30)	(1.65±0.40)	(0.40)		
39-00-0179	5556-GS9P			16 GA.	4,000	.142±.012	.177±.016	.035	.091±.012	.106±.016	.024		
39-00-0180	5556-GS9PL					(3.60±0.30)	(4.50±0.40)	(0.90)	(2.30±0.30)	(2.70±0.40)	(0.60)		
NOT TOOLED	5556-GS12P			14 GA.	4,000	.142±.012	.177±.016	.035	.091±.012	.114±.016	.024		
NOT TOOLED	5556-GS12PL					(3.60±0.30)	(4.50±0.40)	(0.90)	(2.30±0.30)	(2.90±0.40)	(0.60)		
39-00-0181	5556-PBGSP			18-24 GA.	4,000	.142±.012	.177±.016	.035	.075±.012	.091±.016	.020		
39-00-0182	5556-PBGSP2P					(3.60±0.30)	(4.50±0.40)	(0.90)	(1.90±0.30)	(2.40±0.40)	(0.50)		
39-00-0183	5556-PBGSP2PL			22-28 GA.	6,000	.091±.012	.091±.016	.024	.071±.012	.065±.016	.016		
39-00-0184	5556-PBGSP2PL					(2.30±0.30)	(2.30±0.40)	(0.60)	(1.80±0.30)	(1.65±0.40)	(0.40)		
39-00-0185	5556-PBGSP3P			16 GA.	4,000	.142±.012	.177±.016	.035	.091±.012	.106±.016	.024		
39-00-0186	5556-PBGSP3PL					(3.60±0.30)	(4.50±0.40)	(0.90)	(2.30±0.30)	(2.70±0.40)	(0.60)		
NOT TOOLED	5556-PBGSP10P			14 GA.	4,000	.142±.012	.177±.016	.035	.091±.012	.114±.016	.024		
NOT TOOLED	5556-PBGSP10PL					(3.60±0.30)	(4.50±0.40)	(0.90)	(2.30±0.30)	(2.90±0.40)	(0.60)		
39-00-0194	5556-PBGSP4P			18-24 GA.	4,000	.142±.012	.177±.016	.035	.075±.012	.091±.016	.020		
39-00-0195	5556-PBGSP4PL					(3.60±0.30)	(4.50±0.40)	(0.90)	(1.90±0.30)	(2.40±0.40)	(0.50)		
39-00-0196	5556-PBGSP5P			22-28 GA.	6,000	.091±.012	.091±.016	.024	.071±.012	.065±.016	.016		
39-00-0197	5556-PBGSP5PL					(2.30±0.30)	(2.30±0.40)	(0.60)	(1.80±0.30)	(1.65±0.40)	(0.40)		
39-00-0198	5556-PBGSP6P			16 GA.	4,000	.142±.012	.177±.016	.035	.091±.012	.106±.016	.024		
39-00-0199	5556-PBGSP6PL					(3.60±0.30)	(4.50±0.40)	(0.90)	(2.30±0.30)	(2.70±0.40)	(0.60)		
NOT TOOLED	5556-PBGSP11P			14 GA.	4,000	.142±.012	.177±.016	.035	.091±.012	.114±.016	.024		
NOT TOOLED	5556-PBGSP11					(3.60±0.30)	(4.50±0.40)	(0.90)	(2.30±0.30)	(2.90±0.40)	(0.60)		
39-00-0200	5556-PBGSP7P			18-24 GA.	4,000	.142±.012	.177±.016	.035	.075±.012	.091±.016	.020		
39-00-0201	5556-PBGSP7PL					(3.60±0.30)	(4.50±0.40)	(0.90)	(1.90±0.30)	(2.40±0.40)	(0.50)		
39-00-0202	5556-PBGSP8P			22-28 GA.	6,000	.091±.012	.091±.016	.024	.071±.012	.065±.016	.016		
39-00-0203	5556-PBGSP8PL					(2.30±0.30)	(2.30±0.40)	(0.60)	(1.80±0.30)	(1.65±0.40)	(0.40)		
39-00-0204	5556-PBGSP9P			16 GA.	4,000	.142±.012	.177±.016	.035	.091±.012	.106±.016	.024		
39-00-0205	5556-PBGSP9PL					(3.60±0.30)	(4.50±0.40)	(0.90)	(2.30±0.30)	(2.70±0.40)	(0.60)		
NOT TOOLED	5556-PBGSP12P			14 GA.	4,000	.142±.012	.177±.016	.035	.091±.012	.114±.016	.024		
NOT TOOLED	5556-PBGSP12PL					(3.60±0.30)	(4.50±0.40)	(0.90)	(2.30±0.30)	(2.90±0.40)	(0.60)		

**LEGEND:**  
**5556-\*\*\*GS\*P\***  
 BASE NO. \_\_\_\_\_  
 MATERIAL \_\_\_\_\_  
 BLANK= BRASS  
 PB= PHOS. BRONZE  
 GOLD, SELECT \_\_\_\_\_  
 PLATING & CRIMP SIZE COMB. \_\_\_\_\_  
 BLANK THRU I5 \_\_\_\_\_  
 BLANK-PLATE-FORM VERSION \_\_\_\_\_  
 CHAIN OR LOOSE \_\_\_\_\_  
 BLANK= CHAIN \_\_\_\_\_  
 L= LOOSE \_\_\_\_\_

SEE SHEET 1 ELEC NO: UCP2006-1559 DRW:NDUNNE 2006/01/11 CHK:KSPULGAR 2006/01/12 APPR: JOMERIC 2006/01/18 REV DESCRIPTION	QUALITY SYMBOLS ◻=0 ◻=0	GENERAL TOLERANCES (UNLESS SPECIFIED) <table border="1"> <tr><th></th><th>mm</th><th>INCH</th></tr> <tr><td>4 PLACES</td><td>± .010</td><td>± .0004</td></tr> <tr><td>3 PLACES</td><td>± .012</td><td>± .0005</td></tr> <tr><td>2 PLACES</td><td>± .015</td><td>± .0006</td></tr> <tr><td>1 PLACE</td><td>± .020</td><td>± .0008</td></tr> </table>		mm	INCH	4 PLACES	± .010	± .0004	3 PLACES	± .012	± .0005	2 PLACES	± .015	± .0006	1 PLACE	± .020	± .0008	DIMENSION STYLE IN/MM DRAWN BY SEP DATE 5/17/90 CHECKED BY DATE 5/17/90 R/JF APPROVED BY DATE 5/17/90 RAS	SCALE --- DESIGN UNITS METRIC THIRD ANGLE PROJECTION
		mm	INCH																
4 PLACES	± .010	± .0004																	
3 PLACES	± .012	± .0005																	
2 PLACES	± .015	± .0006																	
1 PLACE	± .020	± .0008																	
DRAFT WHERE APPLICABLE MUST REMAIN WITHIN DIMENSIONS		MATERIAL NO. SEE CHART DOCUMENT NO. SD-5556-GSP* SHEET NO. 2/2	TITLE TERMINAL, MINI-FIT JR., FEMALE, CRIMP, SELECT GOLD BLANK-PLATE-FORM MOLEX INCORPORATED																