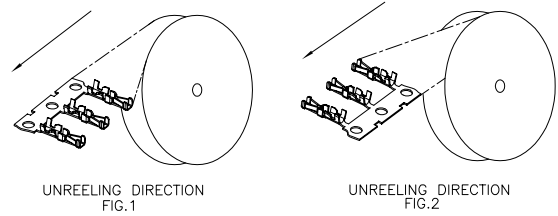
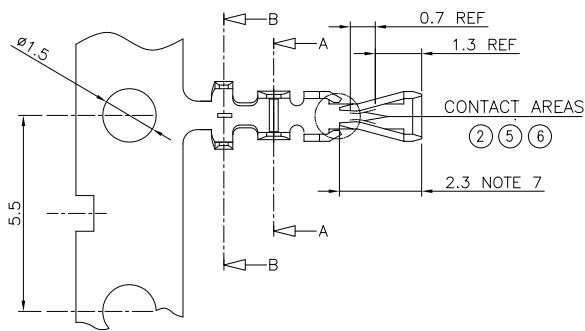
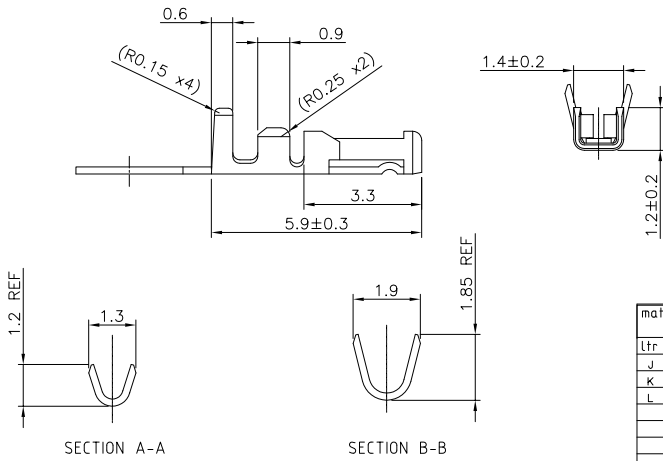


PRODUCT NO.	FINISH	REELING DIRECTION
77138-001LF	NOTE 2	FIG.1
77138-101LF	NOTE 6	FIG.1
77138-201LF	NOTE 5	FIG.1
77138-001RELF	NOTE 2	FIG.2
77138-101RELF	NOTE 6	FIG.2



NOTES

- MATERIAL : PHOSPHOR BRONZE
- FINISH : SELECTIVE GOLD PLATING 0.2μm MIN (CONTACT AREA) OVER 1.27μm Ni MIN
- WIRE RANGE : AWG 26-30
INSULATOR DIAMETER : Ø1.4 MAX
- GENERAL TOLERANCE : ±0.25
- FINISH : SELECTIVE GOLD PLATING 0.5μm MIN (CONTACT AREA) OVER 1.27μm Ni MIN
- FINISH : SELECTIVE GOLD PLATING 0.76μm MIN (CONTACT AREA) OVER 1.27μm Ni MIN
- REMAINDER : GOLD FLASH
σ- UNDERPLATING 1.27μm Ni MIN ALL OVER
- THIS PRODUCT MEETS EUROPEAN UNION DIRECTIVES AND OTHER COUNTRY REGULATIONS AS DESCRIBED IN GS-22-008
- CRIMP SPECIFICATION AS PER 100-006



mat'l. code		surface	tolerance	projection	product family
SEE NOTES		ISO 1302	ISO 406 ISO 1101		MINITEK
ltr	ecr no	dr	date	tolerances unless otherwise specified	title
J	07-0092	R.S	07.02.07	x ±0.25	CTW MINITEK AWG 26-30
K	F08-0122	JCO	08.05.05	xx ±0.15	
L	F08-0174	JCO	08.05.20	xxx ±0.05	
		dr	L.MULIN	08.01.28	dwg no
		enrg	J.COMPAGNON	08.01.28	77138
		chr			sheet 1 of 1
		appd	J.CO	08.05.05	size
					A3
sheet index	revision sheet				type
					CUSTOMER Drawing