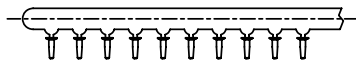
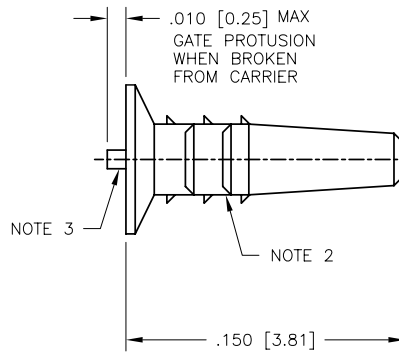
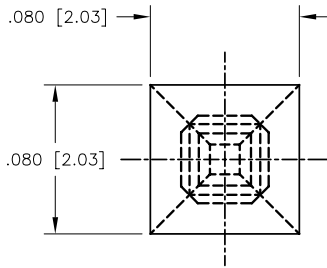


PRODUCT NUMBER	
65307-001	OBSOLETE
65307-001LF	



MOLDED IN GROUPS OF UP TO 10
ATTACHED TO CARRIER OR LOOSE PIECE.



NOTES :

- ①. MOLDING MATERIAL: PA6/66, FLAME RETARDANT PER UL 94V-0, COLOR: NATURAL.
- ②. SERRATED LOCKING SURFACES.
- ③. PRESS PLUG INTO PIN LEAD-IN OF HOUSING CAVITY MANUALLY.
4. PLUGS WILL FIT ALL MINI-PV™ ROD AND LATCH HOUSINGS. PRODUCT SPECIFICATION: BUS-12-067.
5. PRODUCT MEETS EUROPEAN UNION DIRECTIVES AND OTHER COUNTRY REGULATIONS AS DESCRIBED IN GS-22-008.
6. THE PRODUCT IS NOT INTENDED TO BE EXPOSED TO MANUFACTURING SOLDER PROCESSES.

mat'l code		SEE NOTE 1		surface	tolerance	projection	product family
lir	ecn no	dr	date	tolerances unless otherwise specified			PV HOUSINGS
D	v31663	DAI	1993-09-23	angles	linear	INCH/MM	title
E	v05-0713	DAI	2005-07-29	XX±01/XX±3		scale 1:1	MINI ROD AND LATCH HOUSING POLARIZING PLUG
F	v06-0454	HTB	2006-05-24	XX±005/XX±9			dwg no
G	v06-0842	HTB	2006-08-22	XX±0.020/XX±0.051			65307
H	v07-0534	HTB	2007-08-23	dr	P. PARSONS	1993-09-23	sheet 1 of 1
				enigr	T. HANNA	1993-09-23	size
				chr	T. BREWBAKER	1993-09-23	A3
				appd	T. HANNA	1993-09-23	type
sheet index	revision	H					Product Customer Drawing
	sheet	1					